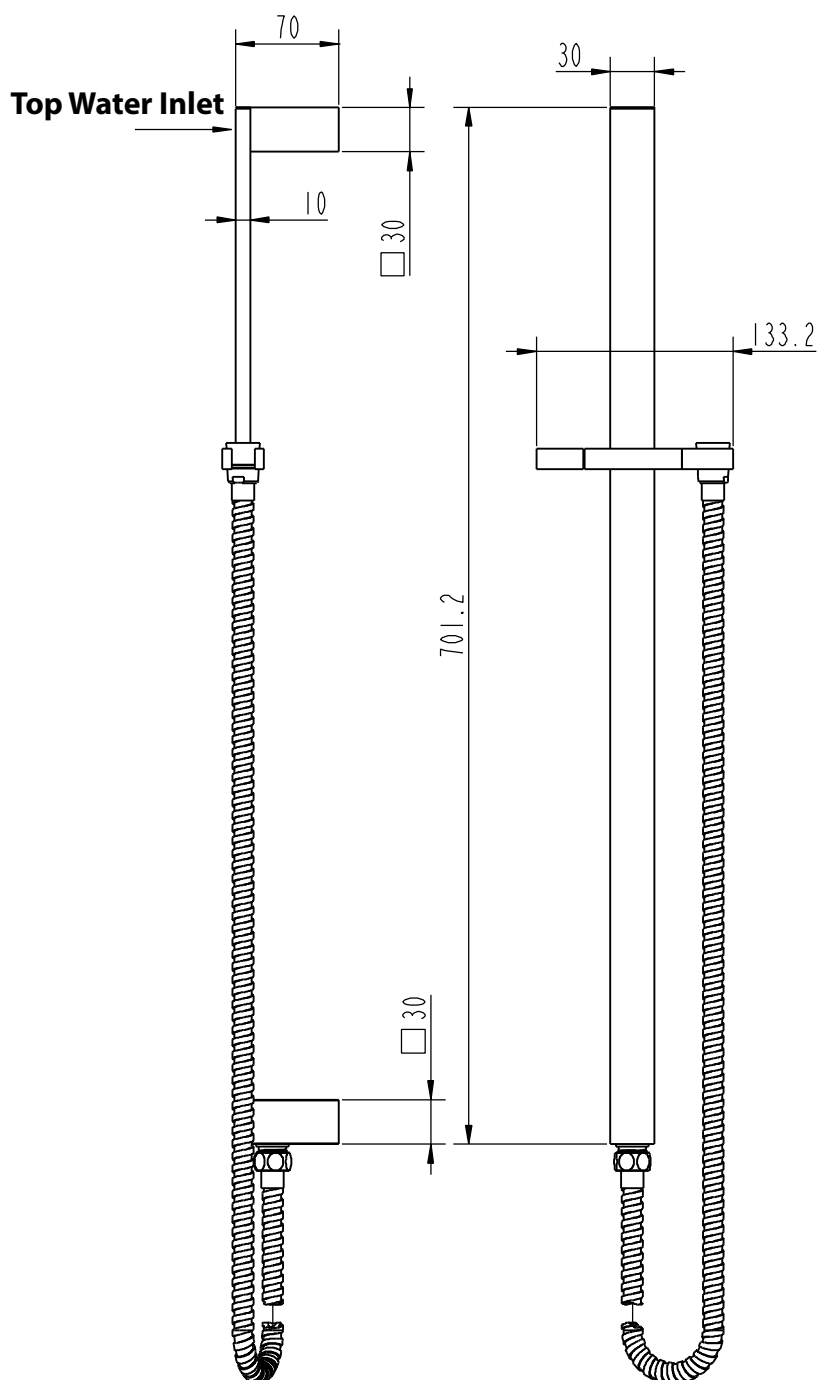


# MIZU

## BLOC SINGLE WATER RAIL SHOWER 1F



Dimensions are nominal measurements only.

To see the complete MIZU range go to [www.reece.com.au/bathrooms](http://www.reece.com.au/bathrooms)



**Disclaimer:** Products in this specification manual must by regulation be installed by licensed and registered trade people. The manufacturer/distributor reserves the right to vary specifications or delete models from their range without prior notification. Dimensions are nominal measurements only. Dimensions and set-outs listed are correct at time of publication however the manufacturer/distributor takes no responsibility for printing errors.

Tech Page Version 1



# MIZU

## BLOC SINGLE WATER RAIL SHOWER 1F

### SPECIFICATIONS

<b>Recommended use</b>	Domestic, hotel and commercial
<b>Colour availability</b>	Chrome
<b>Pressure rating</b>	Maximum continuous operating pressure 1000kPa. For best performance and longer life we recommend 150-500kPa. Hot and cold water inlet pressure should be equal.
<b>Temperature rating</b>	Maximum continuous working temperature 80° C
<b>Suitable Hot Water Units</b>	As per AS3662, please note that high pressure showers may not be suitable for use with gravity-fed water heaters, low pressure supply networks and instantaneous water heaters.
<b>Water Efficiency</b>	3 Star, 8 L/min

### CLEANING RECOMMENDATIONS

We recommend the use of soapy water or approved cleaners.

This product should not be cleaned with abrasive materials.

Damage caused by any improper treatment is not covered by the product warranty- refer to Warranty Conditions.



**W**  
AS/NZS 3662  
WMKA 25965

**Disclaimer:** Products in this specification manual must by regulation be installed by licensed and registered trade people. The manufacturer/distributor reserves the right to vary specifications or delete models from their range without prior notification. Dimensions are nominal measurements only. Dimensions and set-outs listed are correct at time of publication however the manufacturer/distributor takes no responsibility for printing errors.

Tech Page Version 1

m i z u

reece

# MIZU

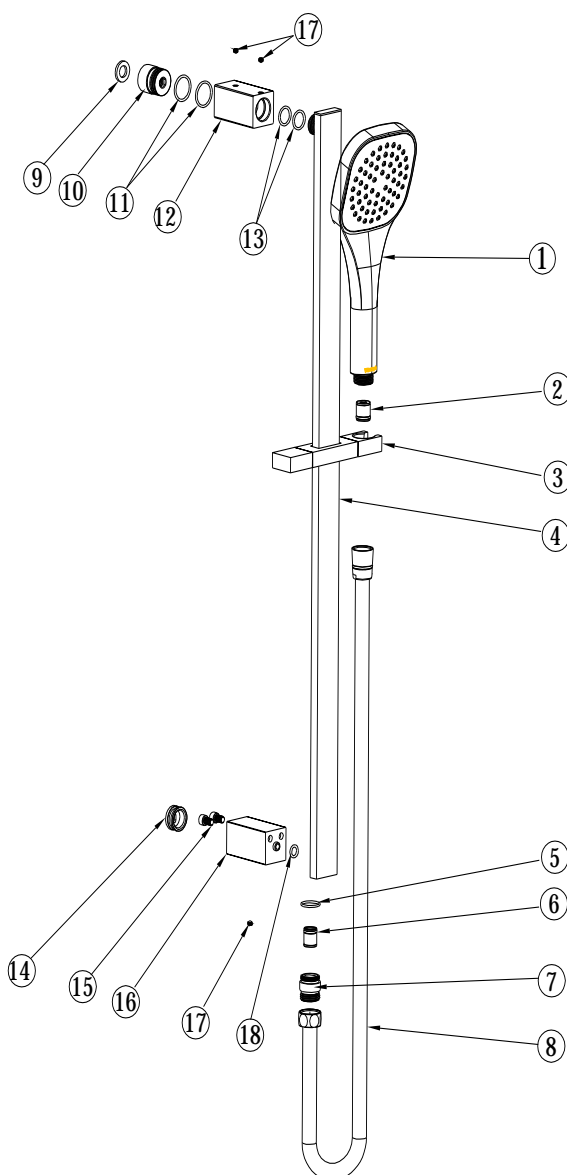
## BLOC SINGLE WATER RAIL SHOWER 1F

### INSTALLATION INSTRUCTIONS

#### Important Note

Product must be installed to the requirements of AS/NZS 3500 by a qualified plumber. Your mixer comes to you already factory assembled and tested. We do not recommend the dismantling of any internal part of the mixer. The mixers are factory tested and sealed so as to give the best performance.

1. Screw female water inlet connection (10) to pre-installed male-threaded water supply
2. Connect rail to water inlet via adaptor piece (12) with set screws (17)
3. Mark the required height of bottom rail fixing
4. *FOR SOLID WALL APPLICATIONS ONLY*, drill out pre-marked fixing hole and insert expansion plug
5. Drill bottom fixing plate securely to wall
6. Fit horizontal rail-mount adaptor (16) to bottom fixing plate via set screw (17)
7. Connect rail to inlet adaptor at the top and rail-mount adaptor at the bottom
8. Connect flexible hose (8) and hand shower (1) to complete the installation
9. Open mixer to check for leaks



Plumbers, please ensure a copy of the installation instructions is left with the end user for future reference