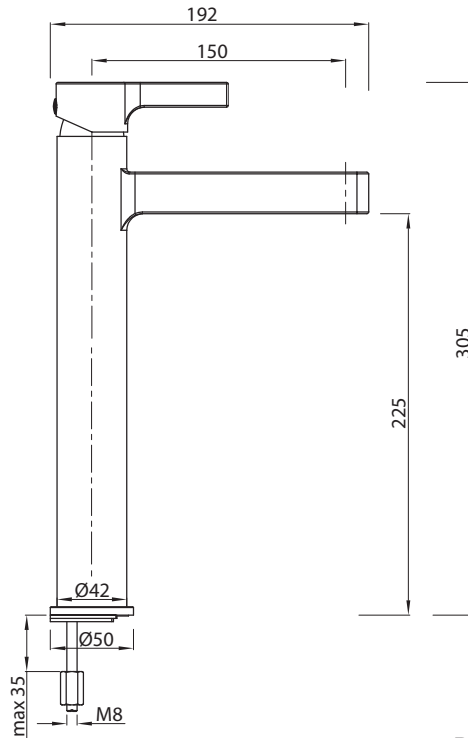


m i z u

# STREAM EXTENDED BASIN MIXER BRUSHED NICKEL



Dimensions are nominal measurements only.

## SPECIFICATIONS

<b>Recommended Use</b>	Domestic, Hotel & Commercial	
<b>Colour</b>	Chrome, Matte Black or Brushed Nickel	
<b>Pressure Rating</b>	Maximum continuous operating pressure 1000kPa. Note: As per AS/NZS3500 pressure must be limited to 500kPa on any new home, extension or renovation. Note: For best performance and longer life we recommend an operating pressure between 150 - 500kPa.	
<b>Temperature Rating</b>	Maximum Continuous Working Temperature	65°C
<b>Suitable Hot Water Units</b>	Storage Tank	Yes
	Continuous Flow	Yes
	Gravity Feed	No
<b>Cartridge Type</b>	Ceramic Disc	



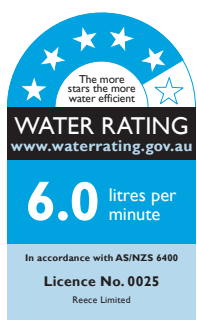
To see the complete MIZU range go to [www.reece.com.au/bathrooms](http://www.reece.com.au/bathrooms)

## CLEANING RECOMMENDATIONS

We recommend the use of soapy water or approved cleaners.

This product should not be cleaned with abrasive materials.

Damage caused by any improper treatment is not covered by the product warranty. Refer to Warranty Conditions.



**Disclaimer:** Products in this specification manual must by regulation be installed by licensed and registered trade people. The manufacturer/distributor reserves the right to vary specifications or delete models from their range without prior notification. Dimensions are nominal measurements only. Dimensions and set-outs listed are correct at time of publication however the manufacturer/distributor takes no responsibility for printing errors.

Tech Page Version 1



m i z u

# STREAM EXTENDED BASIN MIXER BRUSHED NICKEL

## INSTALLATION INSTRUCTIONS

### Note

Mixer must be installed by a licenced plumber

### Important

Your mixer comes to you already factory assembled and tested. We do not recommend the dismantling of any internal part of the mixer. The mixers are factory tested and sealed so as to give the best performance.

### Installation Procedure

1. Please flush out new pipe work prior to connecting the new mixer
2. All mixers should be installed with isolating stop cocks (Arco)
3. This tap is suitable for high pressure applications where both hot and cold water supply pressures are at 150kPa or above
4. Place the base washer & dress ring (14) into position
5. Fit the tap body into the basin hole making sure first that the flexible connectors are firmly tightened into base of the body
6. Do not use teflon tape on threads
7. From underneath apply your washer prior to positioning the horse shoe plate
8. Lock the mixer into position by tightening the lock nut

### Servicing - Replacement of Cartridge

1. Remove cap and unscrew grub screw using allen key
2. Lift off handle and remove cartridge dome, unscrew brass locking nut and lift out cartridge
3. Replace cartridge, brass locking nut and handle. Tighten grub screw and push in indicator cap

### Servicing - Flow Regulator (If flow rate drops)

1. Remove cartridge as outline above.
2. Remove flow regulator (7) and flush with water or replace.

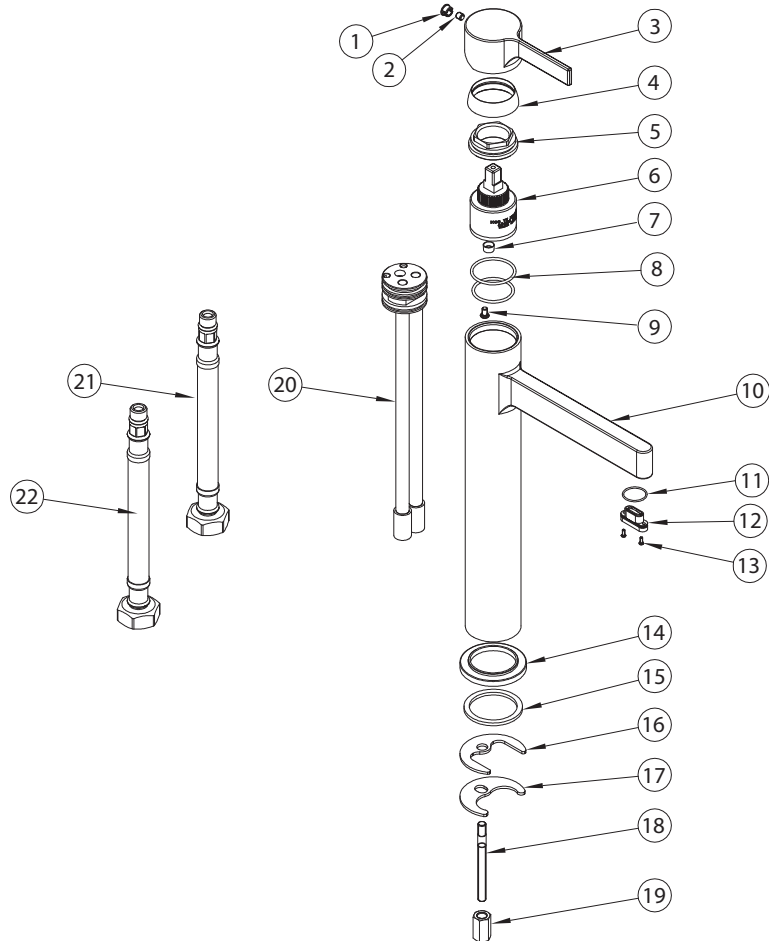
Plumbers, please ensure a copy of the Installation Instructions are left with the end user for future reference



m i z u

# STREAM EXTENDED BASIN MIXER BRUSHED NICKEL

## COMPONENT LISTING



No.	Description
1	Handle Complete
2	
3	
4	Cartridge Dome
5	Cartridge Locknut
6	Cartridge
7	Flow Controller
8	O-Ring
9	Grub Screw
10	Mixer Body
11	Aerator Complete
12	
13	

No.	Description
14	Dress Ring
15	Fixing Kit
16	
17	
18	
19	Cartridge Seat
20	
21	Flexible Hose (Cold)
22	Flexible Hose (Hot)