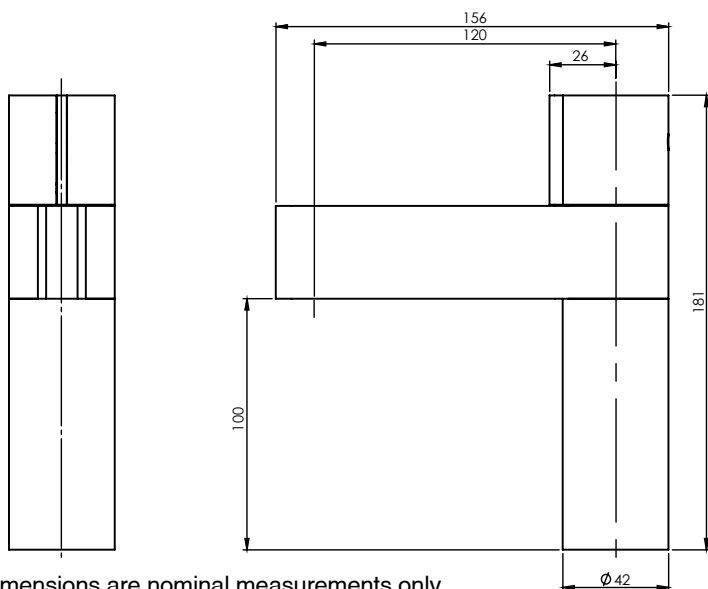


AXON BASIN MIXER



Dimensions are nominal measurements only.

SPECIFICATIONS

Recommended Use	Domestic, hotel and commercial
Finish Available	Chrome Handle with Chrome Outlet Chrome/Black Handle with Black Outlet Rose Gold/Black Handle with Black Outlet
Pressure Rating	Maximum continuous operating pressure 500 kPa. Note: For best performance and longer life we recommend 150-500 kPa.
Temperature Rating	Maximum continuous working temperature 75°
Suitable Hot Water	Storage Tank: Yes Continuous Flow: Refer to manufacturer of continuous hot water systems Gravity Feed: No



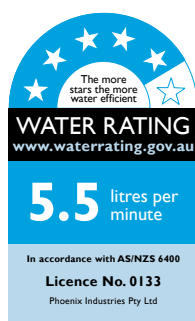
To see the complete Milli range go to www.reece.com.au/bathrooms

CLEANING RECOMMENDATIONS

We recommend the use of soapy water or approved cleaners.

This product should not be cleaned with abrasive materials.

Damage caused by any improper treatment is not covered by the product warranty - refer to Warranty Conditions.



Disclaimer: Products in this specification manual must by regulation be installed by licensed and registered trade people. The manufacturer/distributor reserves the right to vary specifications or delete models from their range without prior notification. Dimensions are nominal measurements only. Dimensions and set-outs listed are correct at time of publication however the manufacturer/distributor takes no responsibility for printing errors.

Tech Page Version 4




Milli

AXON BASIN MIXER

INSTALLATION INSTRUCTIONS


Milli Axon Basin / Extended Basin Mixer INSTALLATION INSTRUCTIONS

WATER SUPPLY REQUIREMENTS



**160 KPa Min.
550 KPa Max.**

Recommended Working Pressure



75°

Maximum hot water temperature

Note:

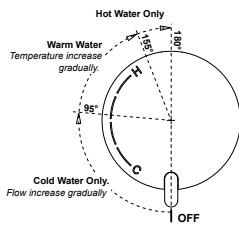
- If the pressure exceeds or is likely to exceed 550kpa, an approved pressure limiting device must be installed.
- Flush out all pipe work prior to installation.
- If the water temperature exceeds 75°C, an approved tempering valve must be fitted.
- Installation should comply with Australian standard AS3500.1 or relevant local authority requirements.

Failure to comply with the above may void all warranties.

Maintenance and Care

- Chrome plated surfaces should be cleaned with mild liquid detergent or soap and water.
- Do not** use cream cleaners or citrus based cleaning products, as they are abrasive.
- Use of unsuitable cleaning agents may damage the surface. Any damage caused in this way will not be covered by warranty.

Mixer Operation



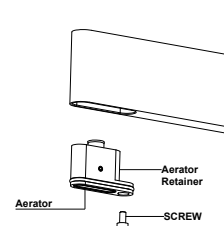
Hot Water Only
Warm Water Temperature increase gradually.
Cold Water Only. Flow increase gradually.
OFF

Installation Instructions

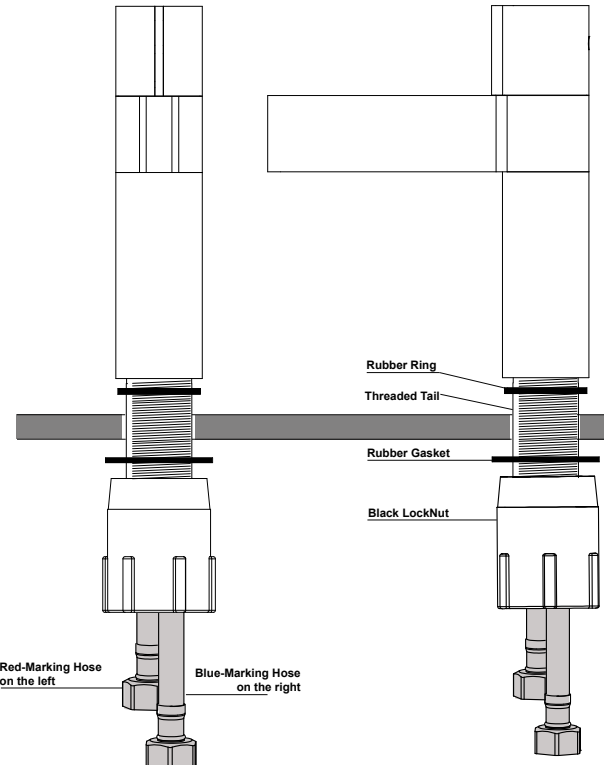
- 1 : Cut a mounting hole 35mm in diameter.
- 2 : Fit Rubber Ring into groove on the mixer base.
- 3 : Screw hoses to the mixer as shown, Red-Marking Hose on the left and Blue-Marking Hose on the right. *(When viewed from the front)*
- 4 : Fit hoses through the mounting hole and place the mixer over the mounting hole.
- 5 : Fit Rubber Gasket over Threaded Tail and Screw on Black Locknut to secure the mixer.
- 6 : Connect Red-Marking hose to hot water supply and Blue-Marking hose to cold water supply.
- 7 : Turn on water supply and check for leaks.

Removing The Aerator Retainer

Remove the screw. Place your hand underneath the aerator retainer. Turn on water gradually until the aerator retainer washed out onto your hand.



Aerator Retainer
Aerator
SCREW



Rubber Ring
Threaded Tail
Rubber Gasket
Black LockNut

Red-Marking Hose on the left
Blue-Marking Hose on the right