



WOLFEN[®]

INSTALLATION MANUAL

252460 Wolfen Foot Operated Pedal Valve

252957 Wolfen Foot Operated Kit with Outlet





WOLFEN™

CONTENTS

| | |
|---------------------------|----|
| Intro | 03 |
| Technical Information | 04 |
| Unit Components | 06 |
| Installation Instructions | 08 |
| Warranty | 10 |

Delivering unrivalled quality

Designed for absolute performance, Wolfen's commercial foot operated kit sets new standards in quality and durability. Ergonomic design combined with precision engineering ensures that every Wolfen product is easy-to-use and made to last. Here are just some of the many innovative features that make the Wolfen foot operated kit the smart solution.

Infection control

- 15 second timed flow run time complies with food preparation regulations

Installation and servicing

- Wall or floor mount suitable
- Preset to 15 seconds
- Simple allen key run time adjustment

Usage features

- Soft spring for easy use
- 0-55 second adjustable run time

Application

- Commercial food premises



Suitable for High Pressure applications
(minimum 150kPa)

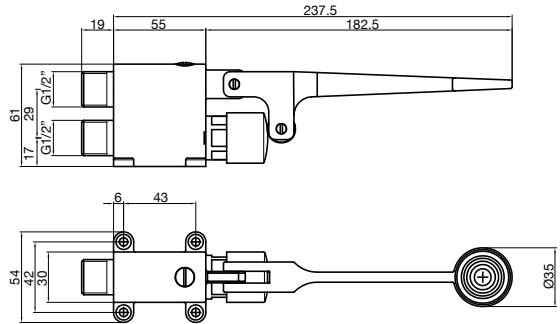
TECHNICAL INFORMATION

| Model | Foot Operated Pedal Valve | Foot Operated Kit with Outlet |
|--------------------------------------|---------------------------|-------------------------------|
| Product Code | 252460 | 252957 |
| Product Type | Foot valve | Foot valve kits |
| Colour | Chrome | Chrome |
| Finish | Polished | Polished |
| Material | Brass | Brass |
| Cartridge Type | Timed flow | Timed flow |
| Min Continuous Flow Working Pressure | 150kPa | 150kPa |
| Max Continuous Flow Working Pressure | 500kPa | 500kPa |
| Max Continuous Flow Working Pressure | 5°C | 5°C |
| Max Continuous Working Temperature | 50°C | 50°C |
| Max Static Pressure | 500kPa | 500kPa |
| Height | N/R | 140mm |
| Clearance | N/R | 60.8mm |
| Reach | N/R | 114mm |

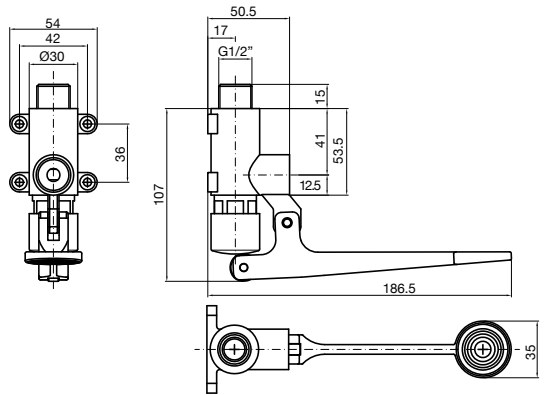


**Wolfen Foot Operated Pedal Valve
– Floor Mounted**

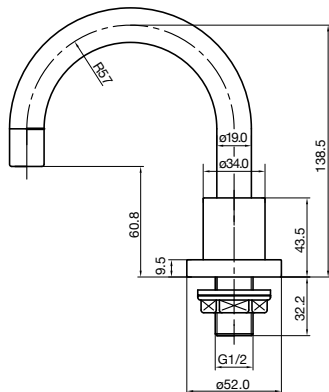
252460


**Wolfen Foot Operated Pedal Valve
– Wall Mounted**

252460


Wolfen Foot Operated Pedal Valve Kit with Outlet

252957



UNIT COMPONENTS

Wolfen Foot Operated Pedal Valve

| No. | Code | Description | Qty |
|-----|-------------|----------------------------|-----|
| 01 | PULCRD30 | Cylindrical Button Size 30 | 1 |
| 02 | MOLLSOFT | Spring | 1 |
| 03 | VITCRDZR | Headvalve | 1 |
| 04 | GAPICVIT | Gasket For Headvalve | 1 |
| 05 | OR20 | O-Ring For Headvalve | 1 |
| 06 | GRIG | Crown Ring | 1 |
| 07 | ASCRDZR | Stem | 1 |
| 08 | OR6 | O-Ring For Stem | 1 |
| 09 | OTT | Stopper | 1 |
| 10 | GAPICVIT | Gasket For Stopper | 1 |
| 11 | CEFIL2 | Cup | 1 |
| 12 | TAS | Nogs | 4 |
| 13 | ZAZZ | Fixing Screws | 4 |
| 14 | CORCR9056 | Valve Body | 1 |
| 15 | OR14-1,78 | O-Ring | 2 |
| 16 | RACCR | Connection | 2 |
| 17 | OR6,07-1,78 | O-Ring | 1 |
| 18 | TAPCR | Cap | 1 |
| 19 | GRR06-18,3 | Pin | 2 |
| 20 | ROT | Disk | 1 |
| 21 | LEVCR | Pedal | 1 |
| 22 | LIMFL5L | Flow Control | 1 |
| 23 | FILTER | Filter | 1 |



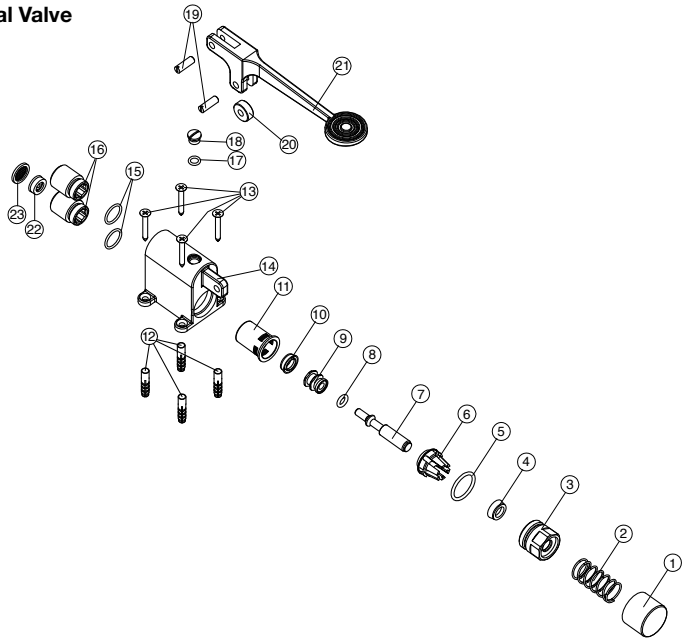
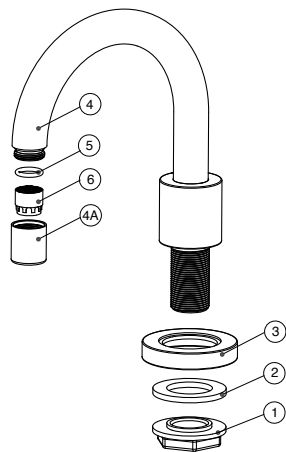
Wolfen Foot Operated Pedal Valve Kit Outlet

| No. | Code | Description | Qty |
|-----|----------|-----------------------|-----|
| 01 | 93791 | 1/2 Nut | 1 |
| 02 | 97364 | Ø 40X Ø 25 X 3 Rubber | 1 |
| 03 | 397-1 | Dress Ring | 1 |
| 04 | 83060296 | Outlet | 1 |
| 05 | 76F-3 | Ø 15.2 X 2.2 O Ring | 1 |
| 06 | 90253 | Aerator-5. OI/Min | 1 |



Wolfen Foot Operated Pedal Valve

252460


Wolfen Foot Operated Pedal Valve Kit Outlet


INSTALLATION INSTRUCTIONS

Important Note

The product must be installed to the requirements of AS/NZS 3500 by a qualified plumber. The product comes to you already factory assembled and tested. We do not recommend the dismantling of any internal part of the product. The product is factory tested and sealed so as to give the best performance.

1. Please flush out new pipe work prior to connecting the pedal valve.
2. The product should be installed with isolating stop cocks (Arco brand recommended).
3. This tap is suitable for high pressure applications where cold water supply pressures are at a minimum of 150kPa and a maximum of 500kPa.

Connect water to the inlet and outlet:

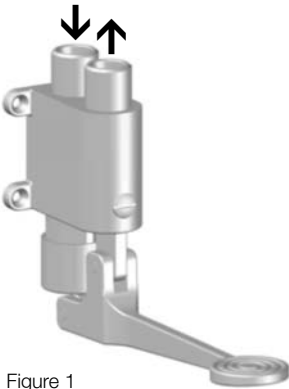


Figure 1

If required, follow steps 1 and 2 to convert the pedal valve from floor mounted to wall mounted:

1. Remove the screw on the pedal lever.

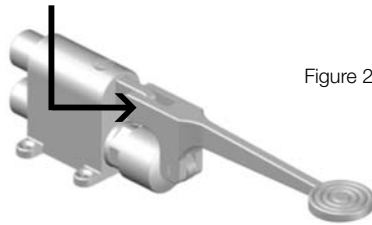


Figure 2

2. Reverse the handle as shown in Figure 1.
3. Mount the unit by ensuring the pedal valve is secured to chosen mounting (floor or wall) to prevent any movement during operation.
4. Use the 4 mounting screws (13 in unit component diagram) to screw the pedal valve into place.

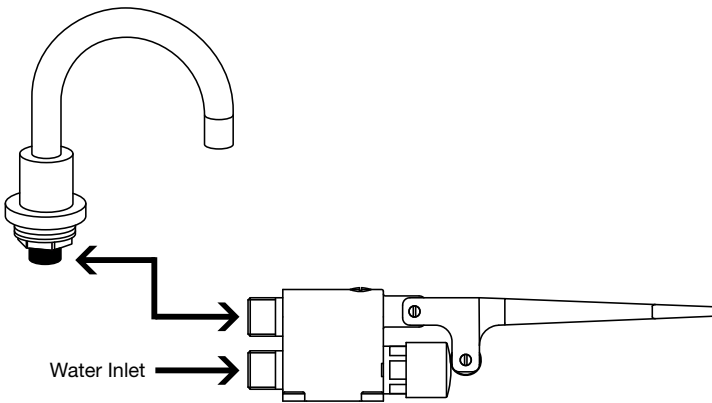
Important Note: The water connection to the pedal valve must be flushed of any debris before connecting the water supply to the pedal valve. If the product is leaking, ensure the inlet strainer is fitted securely.

How to adjust timing

Insert allen key into the guide in the push button. Turn clockwise to reduce time of flow, and turn anti-clockwise to increase the flow timing.

Outlet Installation Instructions.

1. Allow for a 25mm hole for the water outlet.
2. Remove the back nut and washers from the outlet.
3. Push the 15mm thread through the basin/sink then fix the back nut and washers in place.
4. Connect the flexible hose fitting to the water outlet.
5. Connect the water supply to operate.



REECE PRODUCT QUALITY GUARANTEE



You have purchased a quality product from Reece Australia Pty Ltd ABN 84 004 097 090 ("Reece"). This product is covered by a 5 year replacement product warranty and a 12 month warranty over spare parts and labour.

5 YEAR WARRANTY

This warranty covers faults in the product construction, material and assembly. Products which are within 5 years from the date of purchase, found upon inspection by an authorised Reece representative, to be defective in construction, material or assembly, will be repaired or exchanged with an equivalent product free of charge. Replaced items become Reece's property.

All replacement products will be available for collection without charge to the customer at the nearest Reece branch to the customer's location, or elsewhere as agreed between the customer and Reece.

Labour and Spare Parts

The labour for the replacement of products and spare parts to which this warranty applies will be supplied by Reece or relevant supplier using licensed plumbers engaged by Reece or relevant supplier within 1 year from the date of purchase. Spare parts other than those listed in the Manufacturer's Provisions above, which are within 1 year from the date of purchase found upon inspection by an authorised Reece representative to be defective in construction, material or assembly, will be replaced free of charge.

Warranty Conditions

This warranty will apply only under all of the following conditions:

- The item has been installed by a licensed plumber
- Failure is due to a fault in the manufacture of the product
- Proof of purchase (including the date of purchase) is provided
- The installation of the product is in accordance with the instructions provided

This warranty does not cover products purchased as an ex-display without being fully checked and tested for sale by the manufacturer.

This warranty does not include faults caused by:

- Unsuitable or improper use
- Incorrect installation or installation not in accordance with the instructions provided
- Installation or part installation by the purchaser or any person other than a LICENSED PLUMBER
- Normal wear and tear
- Inadequate or complete lack of maintenance
- Chemical, electrochemical or electrical influences
- Harsh detergents or abrasive cleaners used on product finishes

EXCLUSIONS

To the fullest extent permitted by law, Reece excludes all liability for damage or injury to any person, damage to any property, and any indirect consequential or other loss or damage.

CLAIM PROCEDURE

For all warranty queries customers are to contact the branch where the product was purchased. These details can be found on your purchase invoice.

Our goods come with guarantees that cannot be excluded under the Australian Consumer Law. You are entitled to a replacement or refund for a major failure and for compensation for any other reasonably foreseeable loss or damage. You are also entitled to have the goods repaired or replaced if the goods fail to be of acceptable quality and the failure does not amount to a major failure.

Don't risk it, use a licensed plumber.™

IF AFTER CHECKING THE
INSTALLATION INSTRUCTIONS
AND IMPORTANT
INFORMATION, THE PROBLEM
HAS NOT BEEN IDENTIFIED,
PLEASE CONTACT GENTEC
CUSTOMER SUPPORT ON:

+61 2 9211 4422 or
info@gentecaustralia.com.au



WOLFEN™

reece.com.au/wolfen