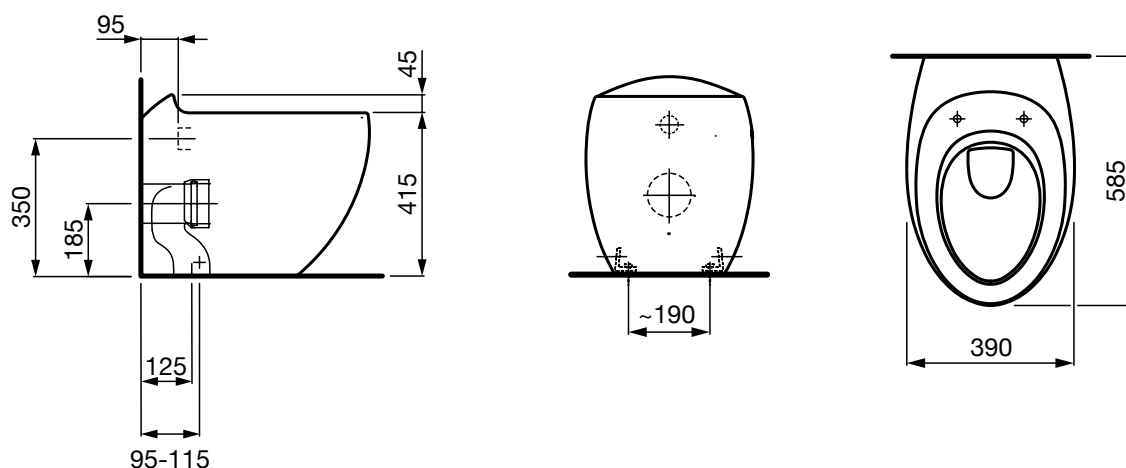


LAUFEN

ILBAGNOALESSI One

BTW PAN



SPECIFICATION

Rim configuration	Box rim
Bowl configuration	Available in P and S Trap
Set out	P Trap: 185mm, S Trap: 95-115mm
Pan fixing	Screwed to floor brackets and bedded with sealant
Seat	Soft-close matching seat
Flushing	4.5/3 ltr flush, 3.3 Av ltr flush
WELS	4 Star WELS Rating
Standards	AS1172.1

FEATURES

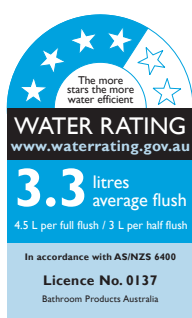
Recommended Use	Domestic, hotel and commercial
Weight	29.7 kg
Finish	LAUFEN Clean Coat



To see the complete LAUFEN range go to www.reece.com.au/bathrooms

CLEANING RECOMMENDATIONS

Soapy water or approved bathroom cleaners. This bathroom product should not be cleaned with abrasive materials. Damage caused by any improper treatment is not covered by the product warranty. Refer to Warranty Conditions.



Disclaimer: Products in this specification manual must by regulation be installed by licensed and registered trade people. The manufacturer/distributor reserves the right to vary specifications or delete models from their range without prior notification. Dimensions and set-outs listed are correct at time of publication however the manufacturer/distributor takes no responsibility for printing errors.

Tech Page Version 1

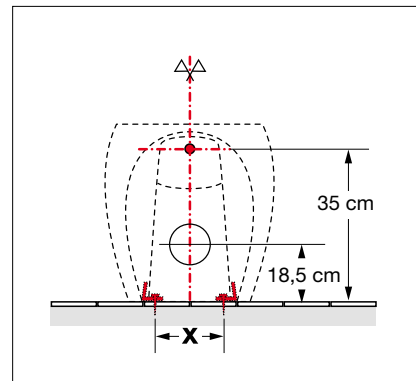
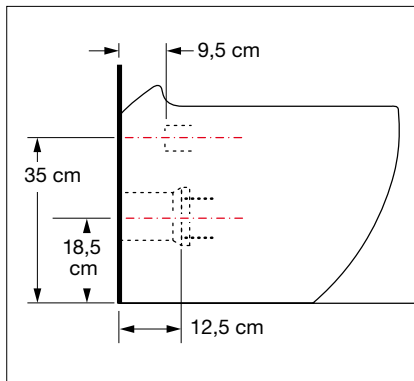
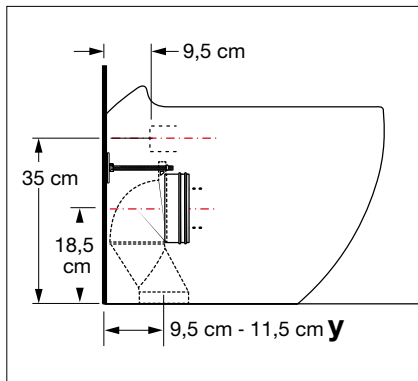
LAUFEN
Bathroom Culture since 1892 www.laufen.com

reece

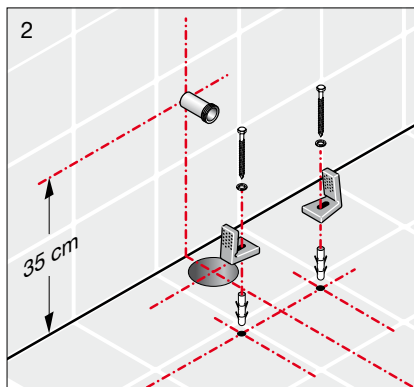
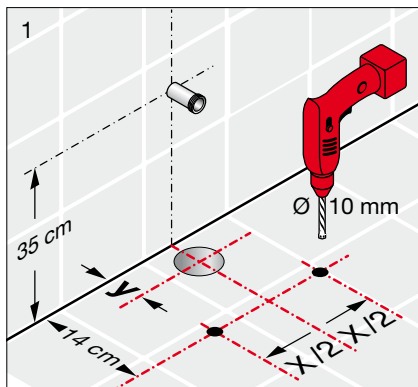
LAUFEN ILBAGNOLESSI One BTW PAN

INSTALLATION PAN

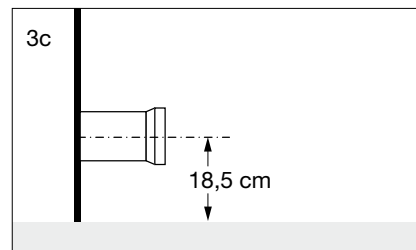
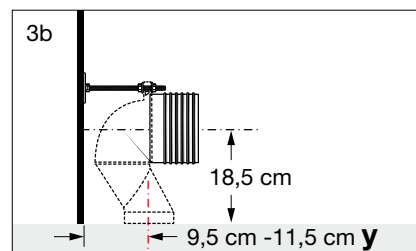
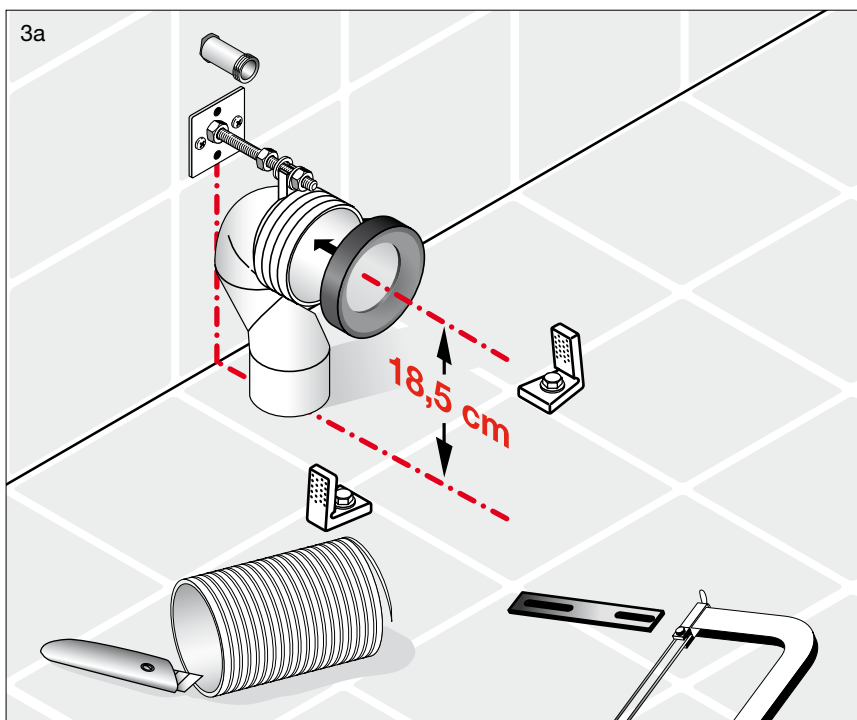
Preparation



Assembly procedure



Fastening material

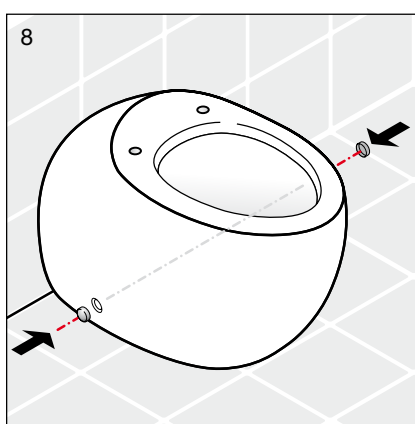
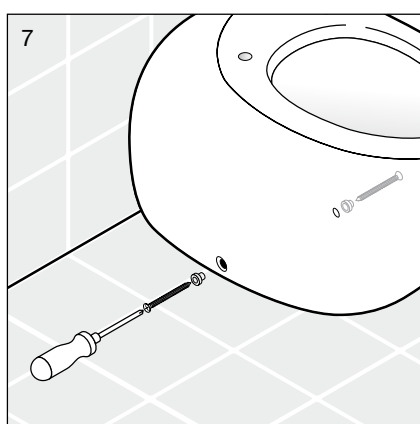
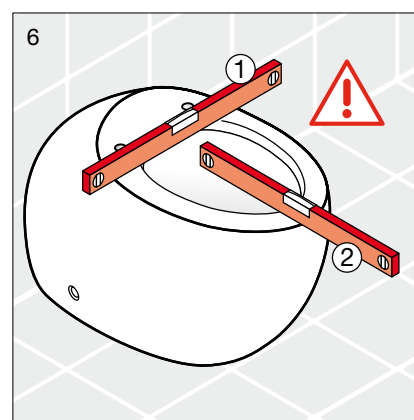
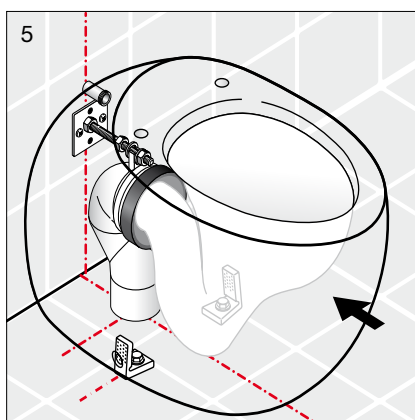
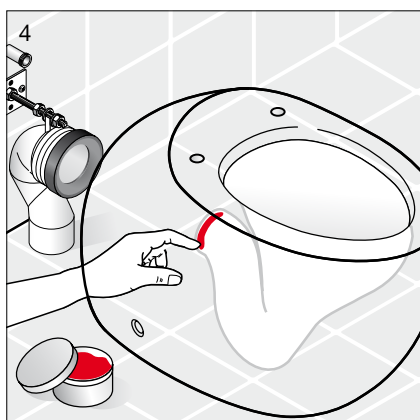


Plumbers, please ensure a copy of the installation instructions is left with the end user for future reference

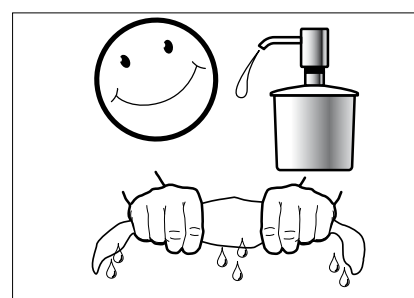
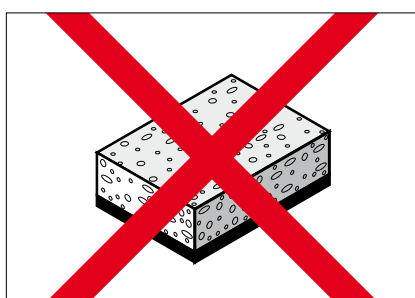
LAUFEN

ILBAGNOALESSI One

BTW PAN



MAINTENANCE INSTRUCTIONS



The surface is simple to clean and care for. The smooth surface hardly accumulates any dirt. Use soft cloth, soapy solution and water for regular care. Wipe with a dry cloth. Avoid the use of abrasives or solvents, which damage the surface. Damage caused by inappropriate treatment by the user, is not covered by our guarantee.