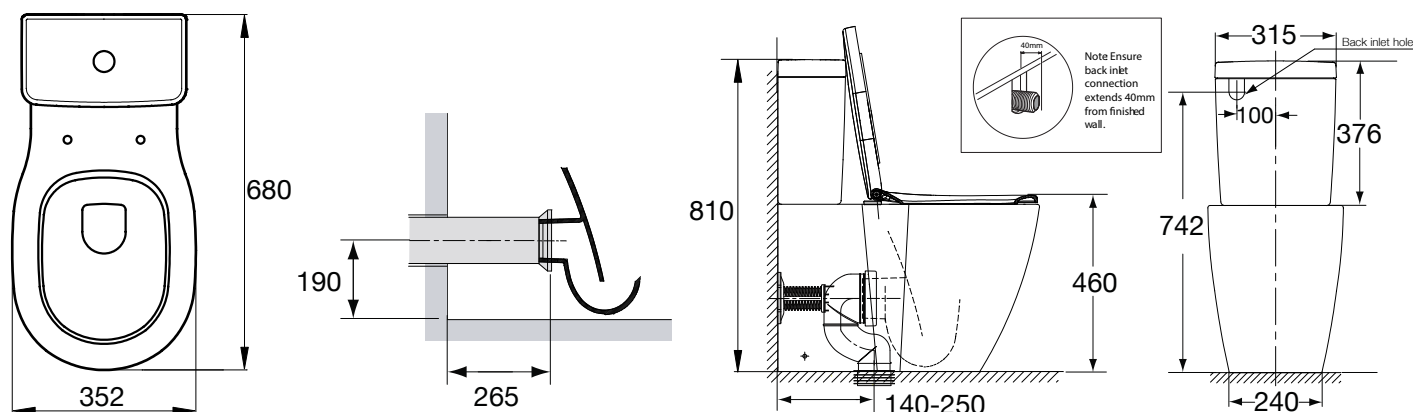


AMERICAN STANDARD

CONCEPT OH CLOSE COUPLED BACK TO WALL TOILET SUITE (BACK INLET)



Dimensions are nominal measurements only.

SPECIFICATIONS

Recommended use	Domestic, Hotel & Commercial
Material	Pan: Vitreous China Cistern: Vitreous China Seat: Urea
Colour	Pan: White Cistern: White Seat: White
Weight	Pan: 30 kg Cistern: 11 kg
Water Inlet Position	Back Inlet
Inlet Valve	Recommended maximum working pressure 500kpa
Bowl Configuration	P trap (converts to S Trap using plastic S bend provided)
Rim Configuration	Box Rim
Seat	Soft Close Quick Release Seat
Cistern Fixing	Bolted directly to pan
Pan Fixing	Screwed to the floor using brackets and bedded with sealant



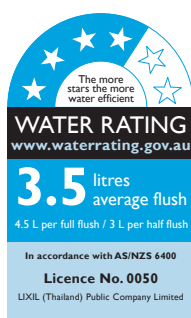
To see the complete AMERICAN STANDARD range go to www.reece.com.au/bathrooms

CLEANING RECOMMENDATIONS

We recommend the use of soapy water or approved cleaners.

This product should not be cleaned with abrasive materials.

Damage caused by any improper treatment is not covered by the product warranty. Refer to Warranty Conditions.



Disclaimer: Products in this specification manual must by regulation be installed by licensed and registered trade people. The manufacturer/distributor reserves the right to vary specifications or delete models from their range without prior notification. Dimensions are nominal measurements only. Dimensions and setouts listed are correct at time of publication however the manufacturer/distributor takes no responsibility for printing errors.

Tech Page Version 1



AMERICAN STANDARD CONCEPT OH CLOSE COUPLED BACK TO WALL TOILET SUITE (BACK INLET)

INSTALLATION INSTRUCTIONS

Unit: mm

1

2

3

4

5a

5b

6a

ROUGHING - IN (A)	CONNECTOR CUTOUT (B)
140-150 mm.	10 mm.
151-159 mm.	20 mm.

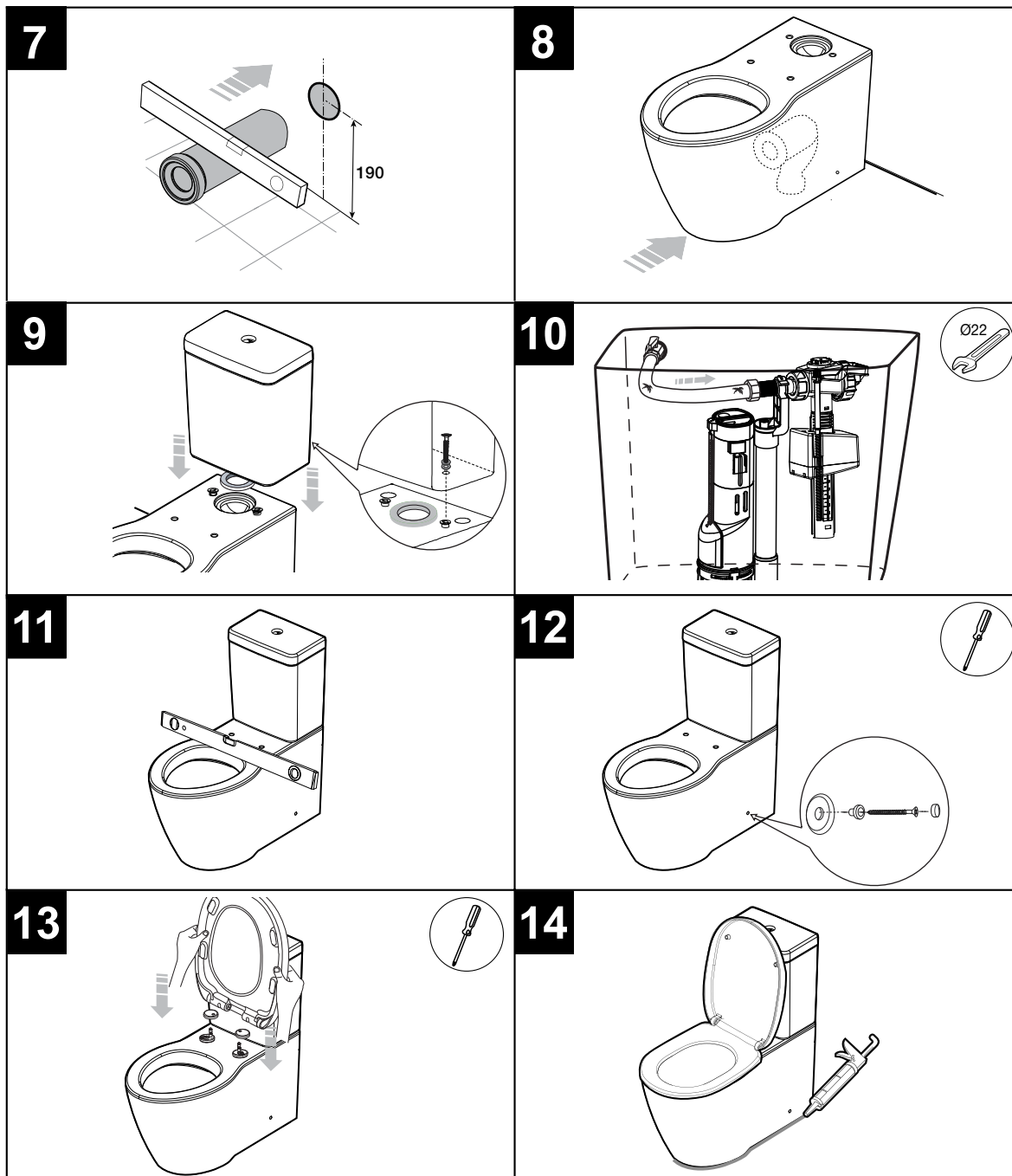
6b

ROUGHING - IN (A)	CONNECTOR CUTOUT (B)	ROUGHING - IN (A)	CONNECTOR CUTOUT (B)
160-170 mm.	30 mm.	211-220 mm.	80 mm.
171-180 mm.	40 mm.	221-230 mm.	90 mm.
181-190 mm.	50 mm.	231-240 mm.	100 mm.
191-200 mm.	60 mm.	241-250 mm.	110 mm.
201-210 mm.	70 mm.	C=116 - (A-160)	

AMERICAN STANDARD

CONCEPT OH CLOSE COUPLED BACK TO WALL TOILET SUITE (BACK INLET)

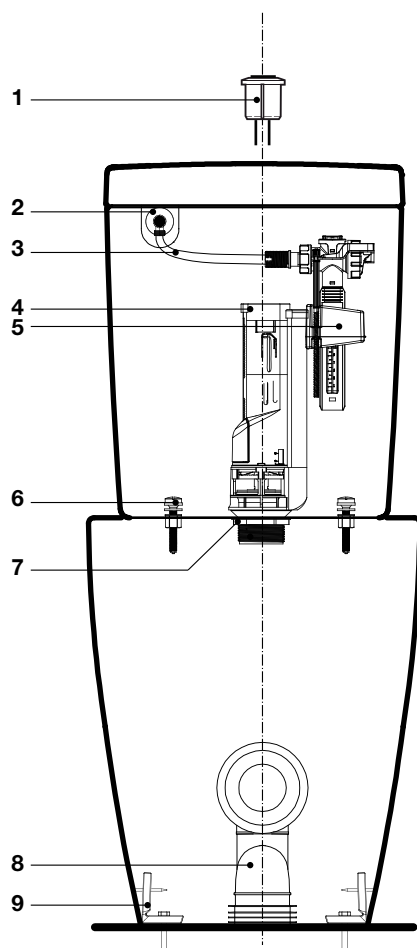
INSTALLATION INSTRUCTIONS



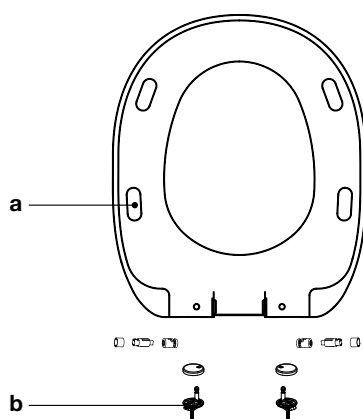
AMERICAN STANDARD

CONCEPT OH CLOSE COUPLED BACK TO WALL TOILET SUITE (BACK INLET)

SPARE PARTS



1 - 9502573	AS CONCEPT FLUSH BUTTON
2 - 103510	MINI STOP CHROME 15MM
3 - 107616	FLEX HOSE WATER (PVC) 1/2"ELB 300MM
4 - 1817018	DUAL FLUSH OUTLET VALVE COMPLETE
5 - 9500475	SIDE/BACK INLET VALVE
6 - 9504528	TOP FIX CISTERN BOLTS (PAIR)
7 - 1817057	CC CISTERN TO PAN RUBBER SEAL
8 - 9503902	PAN BEND
9 - 9500851	PAN FIXING BRKT &COVER



a - 9505974	BUFFER KIT
b - 9501035	SEAT HINGE KIT INCLUDES - FIXING KIT & SOFT CLOSE REPLACEMENT KIT