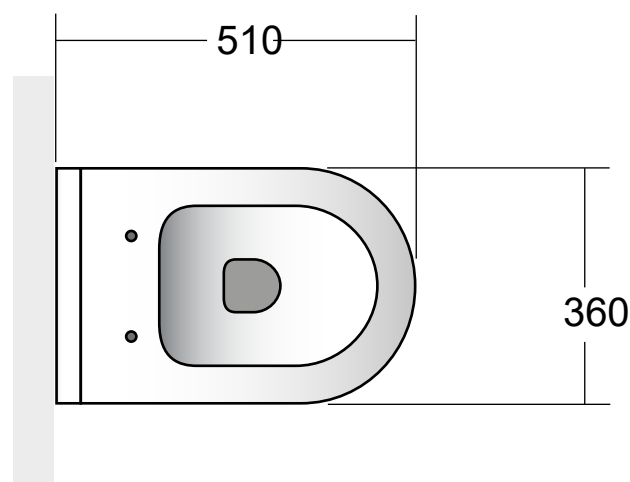
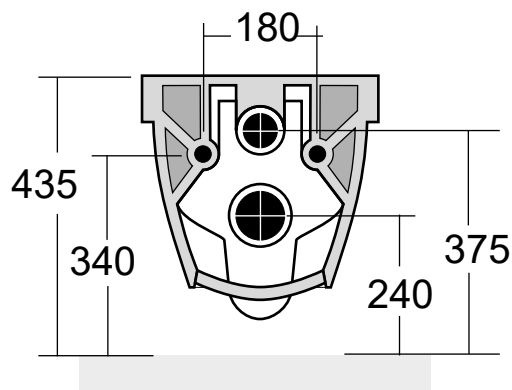


# AXA

## UNO WALL HUNG PAN



### SPECIFICATIONS

<b>Recommended use</b>	Domestic, hotel and commercial
<b>Colour availability</b>	White
<b>Rim configuration</b>	Box Rim
<b>Bowl configuration</b>	P Trap only
<b>Set out</b>	240mm
<b>Pan fixing</b>	Bolted to wall
<b>Seat</b>	Matching top fix Soft Close Quick Release seat supplied with suite
<b>Material</b>	Vitreous china
<b>Weight</b>	Pan: 24kg
<b>Standards</b>	AS 1172.1
<b>WELS</b>	4 Star
<b>Flushing</b>	4.5/3 litre dual flush
<b>Warranty</b>	15 years (refer to warranty)



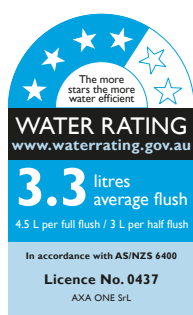
To see the complete AXA range go to [www.reece.com.au/bathrooms](http://www.reece.com.au/bathrooms)

### CLEANING RECOMMENDATIONS

We recommend the use of soapy water or approved bathroom cleaners.

This bathroom product should not be cleaned with abrasive materials.

Damage caused by any improper treatment is not covered by the product warranty - refer to Warranty Conditions..



**Disclaimer:** Products in this specification manual must by regulation be installed by licensed and registered trade people. The manufacturer/distributor reserves the right to vary specifications or delete models from their range without prior notification. Dimensions are nominal measurements only. Dimensions and set-outs listed are correct at time of publication however the manufacturer/distributor takes no responsibility for printing errors.

Tech Page Version 5

AXA

reece

# AXA UNO WALL HUNG PAN

## INSTALLATION INSTRUCTIONS

### Note

In all circumstances the wall onto which the pan is mounted shall be capable of supporting the pan and load without deflection. All measurements for roughing in should be taken from finished wall/floor. Cistern/wall mounting brackets are not supplied, but fixing kit is. Dimensions shown are nominal measurements only.

1. Screw the fixing bolts onto the protruding all thread ensuring that the cut out is pointing outward (fig 1). Protruding all thread will need to be cut to size based on the wall thickness.
2. Insert fixing plugs into the pan wall fixing holes. Carefully install pan onto brackets and fix into position with allen key provided (fig 2).
3. Ensure pan is level before fully tightening. Grub screw with allen key supplied (fig 3).

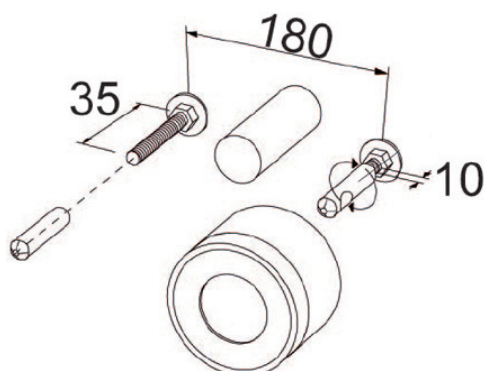


Fig 1

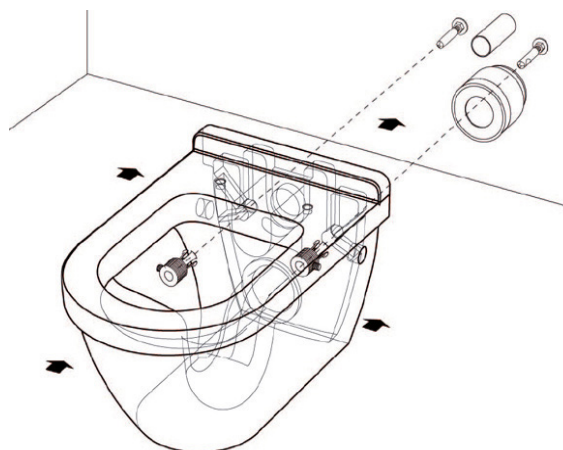


Fig 2

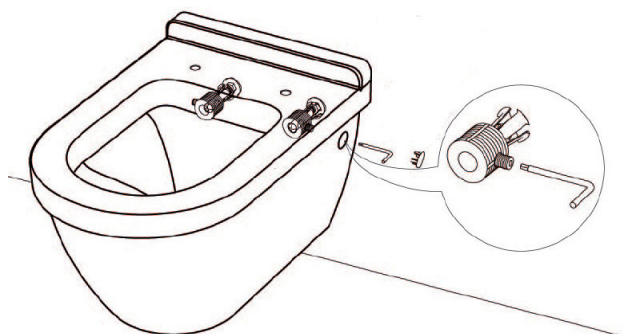


Fig 3

4. Flush test and check for leaks. Joint seal pan to wall using silicone.
5. Fit decorative caps.

### Installation of Toilet Seat and Cleaning (separate instructions enclosed)

It is recommended that toilet seat and cover be installed after all trades are finished. The high quality vitreous china finish on this sanitary ware can be maintained by simply using mild soapy water and wiping over. No abrasive cleaners or chemicals should be used on vitreous china surface or toilet seats as this may lead to surface damage.

Do not use any toilet cleaners in the cistern. As the chemical compound may effect the internal mechanisms.