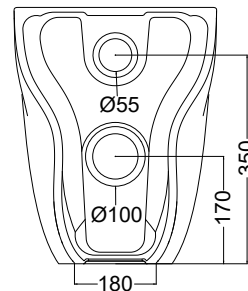
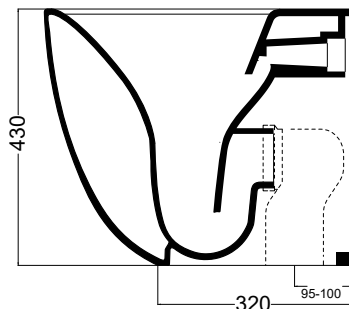
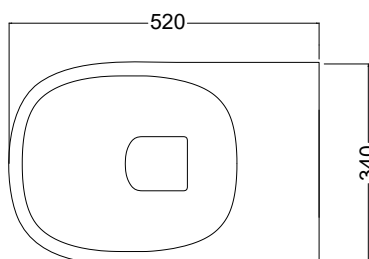


AXA

WILD RIMLESS BACK TO WALL PAN



SPECIFICATIONS

Recommended use	Domestic, hotel and commercial
Colour availability	White
Rim configuration	No Rim
Set out	S Trap: 95-110mm P Trap: 170mm fixed
Pan fixing	Fixed to floor
Seat	Matching top fix seat supplied with pan (soft close quick release)
Material	Vitreous china
Weight	Pan: 26kg
Flushing	4.5/3 litre dual flush
Warranty	15 years (refer to warranty)



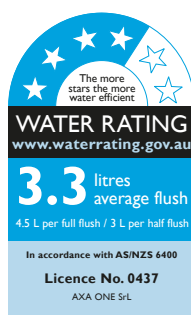
To see the complete AXA range go to www.reece.com.au/bathrooms

CLEANING RECOMMENDATIONS

We recommend the use of soapy water or approved bathroom cleaners.

This bathroom product should not be cleaned with abrasive materials.

Damage caused by any improper treatment is not covered by the product warranty - refer to Warranty Conditions.



Disclaimer: Products in this specification manual must by regulation be installed by licensed and registered trade people. The manufacturer/distributor reserves the right to vary specifications or delete models from their range without prior notification. Dimensions are nominal measurements only. Dimensions and set-outs listed are correct at time of publication however the manufacturer/distributor takes no responsibility for printing errors.

Tech Page Version 2



AXA

WILD RIMLESS BACK TO WALL PAN

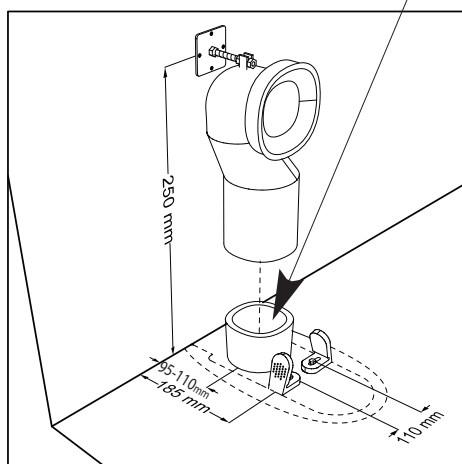
INSTALLATION INSTRUCTIONS

Note

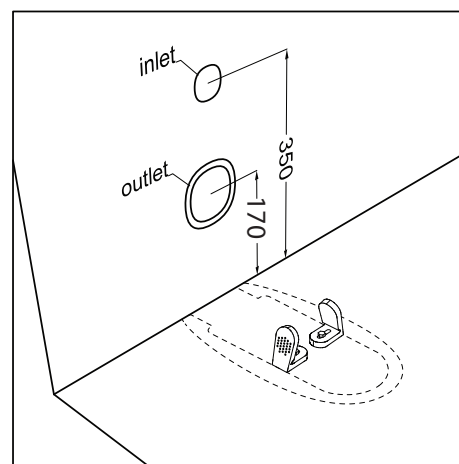
All measurements for roughing in should be taken from finished wall/floor. Dimensions shown are nominal measurements only.

1. Rough in positions of water inlet and waste outlet.
2. Mark out and drill floor fixing brackets into position (140mm apart, 200mm from finished wall) and mark out and prepare plate, rod and plastic bend if installing the waste into the floor via a pan collar.
3. Measure and cut pan bend to length.
4. Fix the pan bend connector back to the wall using the rod and bracket.
5. Align and push pan back to wall, connecting pan spigot into waste bend and pan inlet into flush pipe and keeseal.
6. Check pan is level.
7. Fix pan by using the fixing screws through the fixing holes into the floor fixing brackets.
8. Flush pan to check connections for leaks.
9. Apply flexible sealant around base and rear of pan to seal to wall and floor..

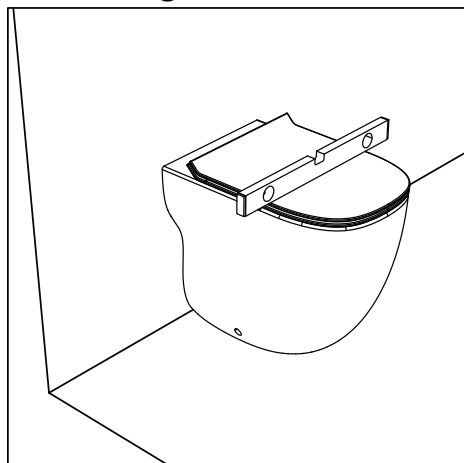
S-Trap setup Pan collar



P-Trap setup



Levelling



Fixing

