

# AXA

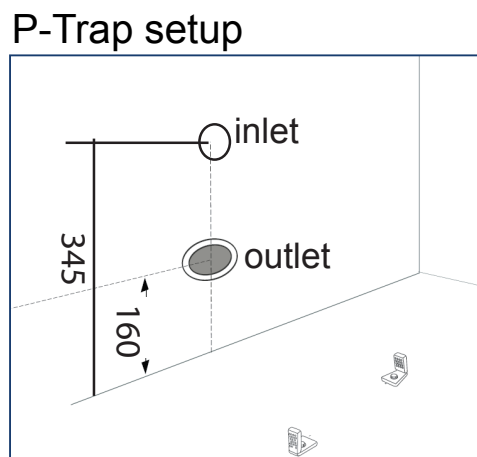
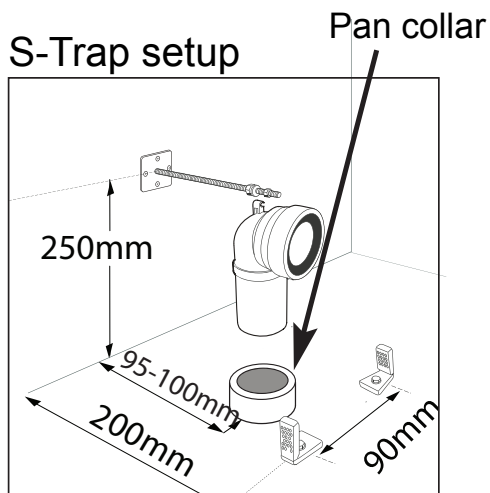
## AXA UNO RIMLESS BACK TO WALL PAN

### INSTALLATION INSTRUCTIONS

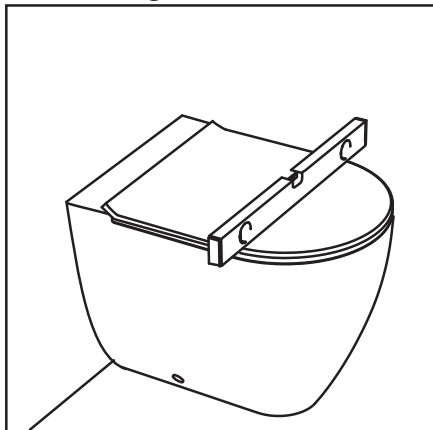
#### Note

All measurements for roughing in should be taken from finished wall/floor. Dimensions shown are nominal measurements only.

1. Rough in positions of water inlet and waste outlet.
2. Mark out and drill floor fixing brackets into position (90mm apart, 200mm from finished wall) and mark out and prepare plate, rod and plastic bend if installing the waste into the floor via a pan collar.
3. Fix the pan bend connector back to the wall using the rod and bracket.
4. Align and push pan back to wall, connecting pan spigot into waste bend and pan inlet into flush pipe and keeseal.
5. Check pan is level.
6. Fix pan by using the fixing screws through the fixing holes into the floor fixing brackets.
7. Flush pan to check connections for leaks.
8. Apply flexible sealant around base and rear of pan to seal to wall and floor.



#### Levelling



#### Fixing

