

Mizu Bloc Ceiling Shower 250mm (3*)

CLEANING RECOMMENDATIONS

We recommend the use of soapy water or approved cleaners.

This product should not be cleaned with abrasive materials.

Damage caused by any improper treatment is not covered by the product warranty - refer to Warranty Conditions

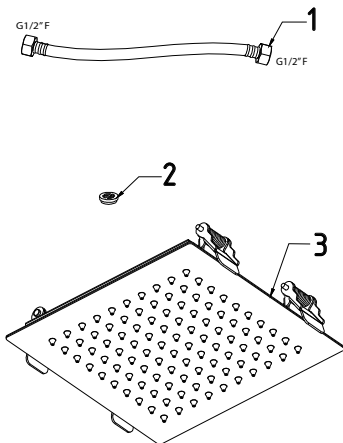
Installation Conditions

- Shower must be installed to the requirements of AS/NZS 3500 by a qualified plumber.
- Do not disassemble the shower.
- Flush out all connecting pipework and ensure pipework waterways are free of debris before installing the shower.
- Do not seal or embed the shower before a leak test has been conducted.

Safety Notes

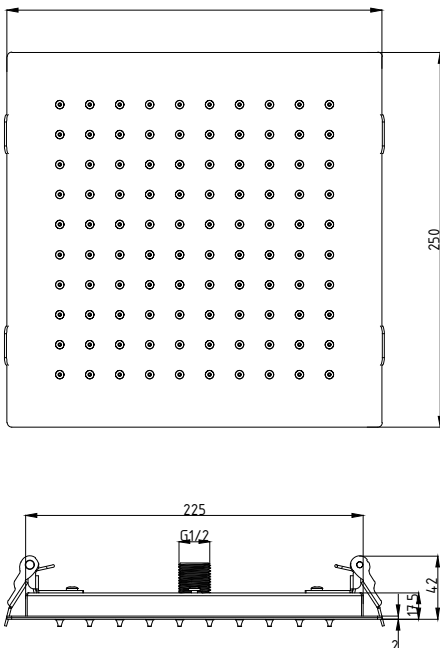
- Wear safety gloves during the installation process.
- The hot and cold water supply pressures must be equal.

Standard Parts List

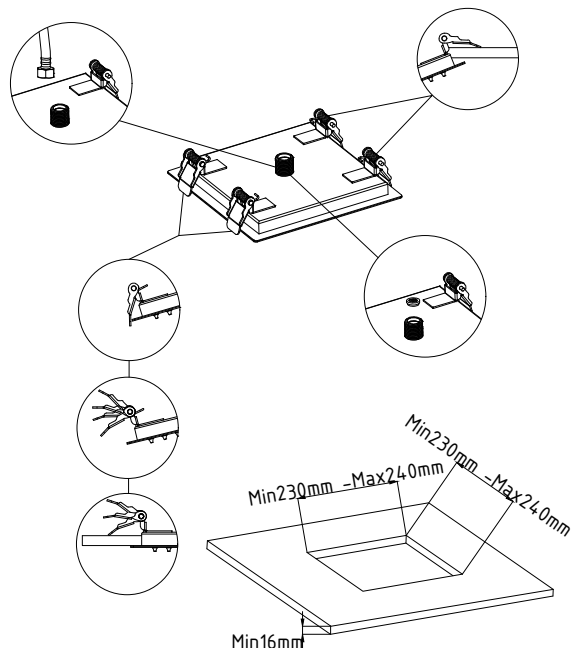


No.	Part Name	Quantity
1	Water supply hose	1
2	Flow controller	1
3	Shower	1

Dimension diagram



Installation step



Please ensure a copy of the installation instructions is left with the end user for future reference