

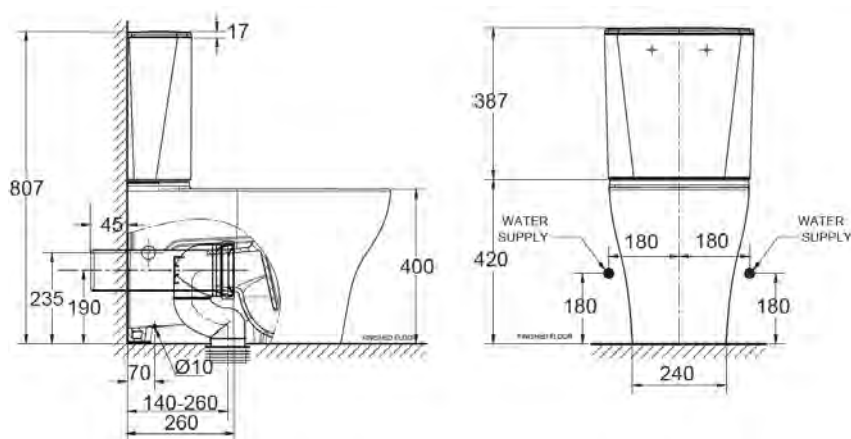
American Standard Cygnet BTW Hygiene Rim Bottom Inlet (4*)

SPECIFICATIONS	
Recommended Use	Domestic, Hotel & Commercial
Material:	Pan: Vitreous China Cistern: Vitreous China Seat: Urea
Colour:	Pan: White Cistern: White Seat: White
Weight:	Pan: 45kg Cistern: 12kg
Water inlet position :	Bottom inlet left or right
Inlet valve:	Recommended maximum working perssure 500kpa
Bowl Configuration:	P trap (converts to S trap using plastic s bend provided)
Rim Configuration:	Double Vortex Hygiene Rim/ Rimless
Seat:	Soft Close Quick Release Seat
Cistern Fixing:	Bolted directly to the pan
Pan Fixing:	Screwed to the floor using brackets (supplied) and bedded with sealant



WARRANTY	
Warranty - Domestic Use	10 years
Spare Parts & Labour	12 months

Please refer to Warranty Page for full Terms and Conditions



Dimensions are nominal measurements only.

Disclaimer: Products in this specification manual must by regulation be installed by licensed and registered trade people. The manufacturer/distributor reserves the right to vary specifications or delete models from their range without prior notification. Dimensions are nominal measurements only. Dimensions and set-outs listed are correct at time of publication however the manufacturer/distributor takes no responsibility for printing errors.

Published 10/07/2018

To see the complete American Standard range go to www.reece.com.au/bathrooms

