

Movement by Perfection



The Royal League in ventilation, control and drive technology



Product documentation

Type
FB056-6EK.4I.V4P

Article number
101662

Product documentation

Customer
Actrol

ZIEHL-ABEGG Contact
Kenz Zacharias
Tel. +61288832854
kenz.zacharias@ziehl-abegg.com.au

Project
Axial Fan

ZIEHL-ABEGG Subsidiary
Australia
ZIEHL-ABEGG Australia Pty Ltd (VIC)
181 Calarco Drive
Derrimut
VICTORIA 3030
AUSTRALIA
Phone +61 3 99310899
Fax +61 3 99310499
www.ziehl-abegg.com.au
info@ziehl-abegg.com.au

Type
FB056-6EK.4I.V4P

Article number
101662



Contents

1.	Product specification	3
2.	Characteristic Curve	4
3.	Drawing	5
4.	Connection diagram	6

1. Product specification

Technical data

Article number	101662
Type	FB056-6EK.4I.V4P
Designation	Axial fan with sheet blades
Rated values	1~230V±10% 50Hz P ₁ 370W 1.70A ΔI=20% 900/min 8.0uF/400V 65°C
Electrical connection	Terminal box K62
Min. operating temperature °C	-25***
Mounting type terminal box	Mounted on Stator
Type of protection	IP54
Thermal class	THCL155
Connection diagram	1360-104XA
Rating plate	1x fixed
Fitting position	H/Vu/Vo
Motor protection	thermal contact
Impregnation	Moisture and hot climate protection
Quality of bearings	ball bearing with long-time lubrication
Material Rotor	Aluminium
Painting rotor	Rotor 1 coat painted
colour rotor	RAL 9005 (jet black)
Material blades	Aluminium
Painting impeller	1 coat painted
Colour blades	RAL 9005 (jet black)
Guard grille type	ring grill
Control	--
Painting mot.suspens	Motor suspension 1 coat paint
colour suspension	RAL 9005 (jet black)
Weight kg	12,20
ErP Data	Efficiency η_{statA} : 28,7 % Efficiency grade: $N_{actual} = 38,0 / N_{target} = 36^*$ *ErP 2013* Does not comply with the stipulations of the ErP regulations

*** Occasional operation $\leq -20^{\circ}\text{C}$ and in consideration of lowest temperature according to product documentation permissible. For cooling applications with continuous operation $\leq -20^{\circ}\text{C}$ cold design on request.

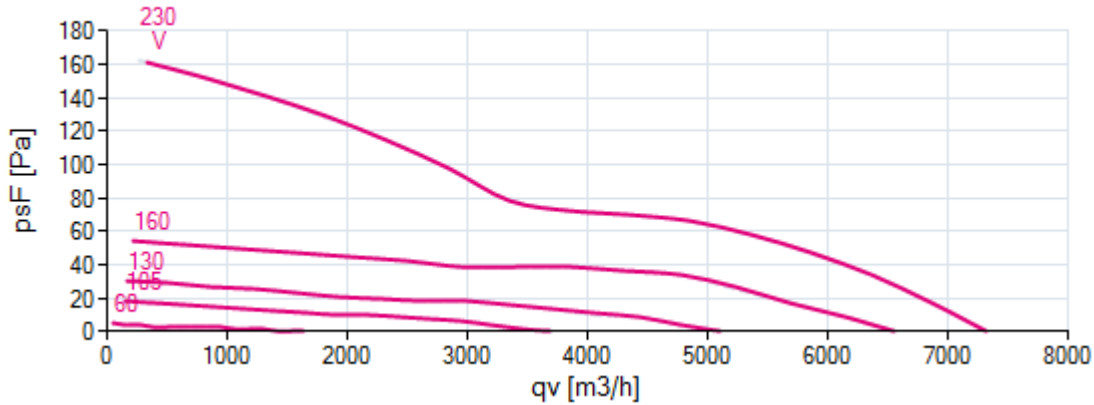
2. Characteristic Curve

FB056-6EK.4I.V4P

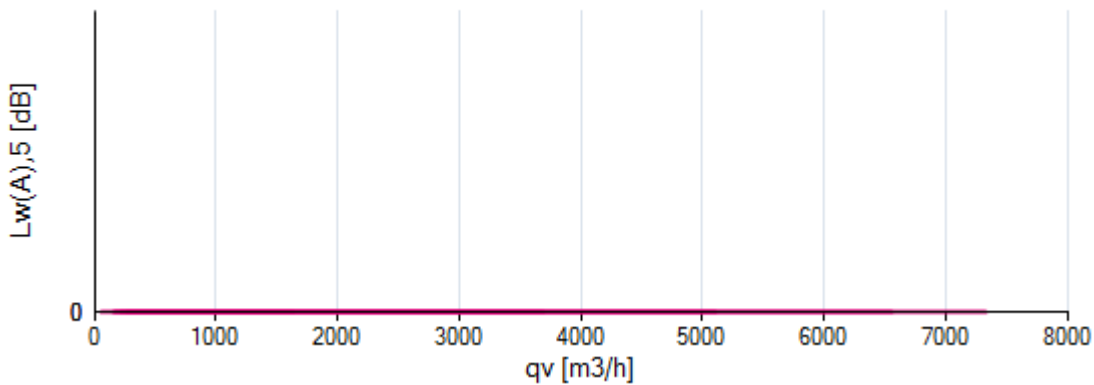
1~ 230V 50Hz

Messdichte 1,16

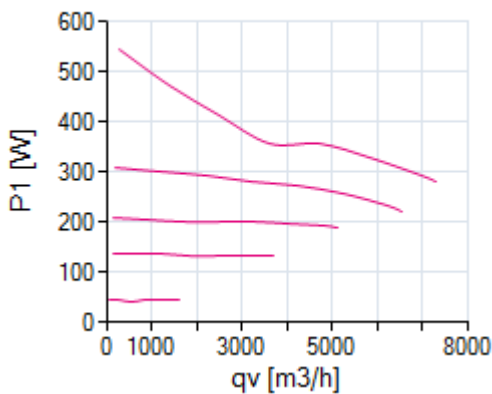
Air performance



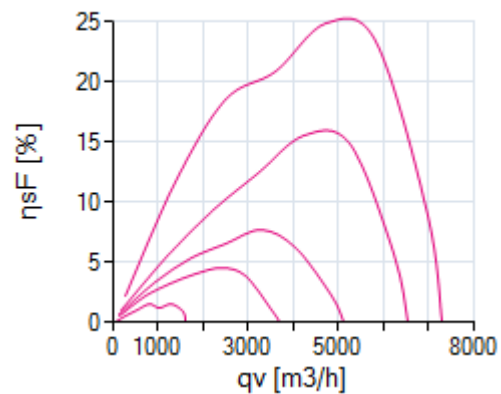
Acoustics



Power input



Efficiency



Please note: It's not allowed to use this fan in the stall area!*

*In doubt please ask your responsible ZIEHL-ABEGG sales contact.

The Royal League Die Königsklasse

3. Drawing

Förderrichtung V
Airflow direction V

A-A
1:2

drawing number	title	size	BAUGR	B1	B2	B3	B4	B5	W	MASSE
12056-K403.1	FB056-__K.4F.V4L	106-50	141.3	205.3	41.5	66.3	25°	10.4	10.4	10.4
12056-K403.2	FB056-__K.4F.V4P	106-50	141.3	205.3	47.5	66.3	30°	10.4	10.4	10.4
12056-K403.3	FB056-__K.4F.V4S	106-50	141.3	205.3	52.5	66.3	35°	12.2	12.2	12.2
12056-K403.4	FB056-__K.4I.V4L	106-70	161.3	225.3	41.5	88.3	25°	12.2	12.2	12.2
12056-K403.5	FB056-__K.4I.V4P	106-70	161.3	225.3	47.5	88.3	30°	12.2	12.2	12.2
12056-K403.6	FB056-__K.4I.V4S	106-70	161.3	225.3	52.5	88.3	35°	12.2	12.2	12.2

Modelldarstellung 12056-K403.4
model illustration 12056-K403.4

Dimensions in mm
Shown drawing is just to show the dimensions of the fan.

www.ziehl-abegg.com
29/05/2019 9:45:31 AM

Movement by Perfection | Bewegung durch Perfektion

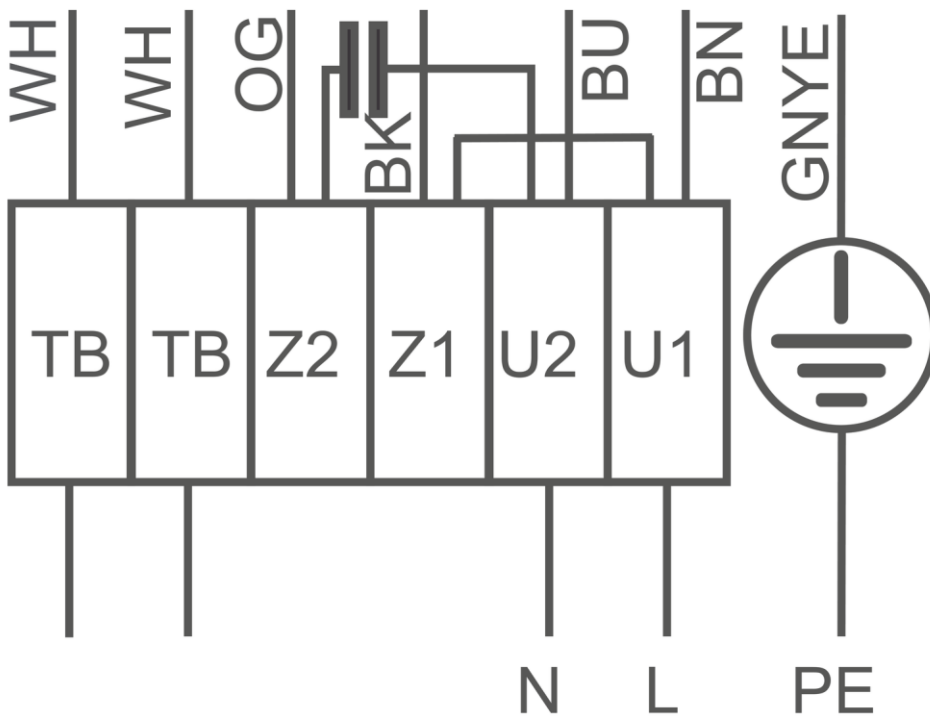
4. Connection diagram

1360-104XA

1~Motor with capacitor and thermostatic switch (if built in).

- BN brown
- BU blue
- BK black
- OG orange
- WH white
- GNYE green-yellow

Clockwise rotation





The Royal League in ventilation, control and drive technology

Intelligent control technology for any application

ZIEHL-ABEGG system capabilities:

Everything from a single source – perfectly matched for optimal performance

Please contact us. We would be pleased to design an individual solution for your requirements.

We would like to welcome you on our worldwide exhibitions. Please find our next exhibitions [here](#).