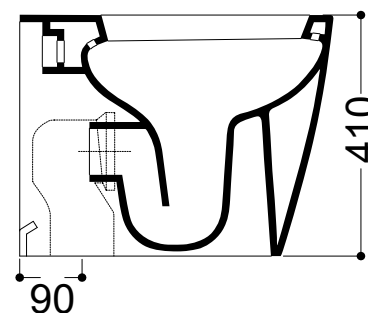
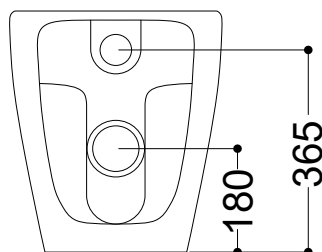
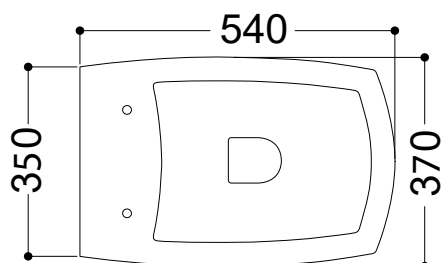


AXA

# X-TRE BACK TO WALL PAN



## SPECIFICATIONS

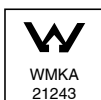
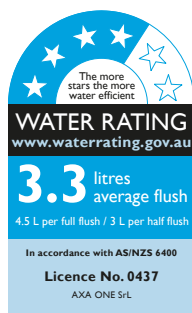
<b>Recommended use</b>	Domestic, hotel and commercial
<b>Colour availability</b>	White
<b>Rim configuration</b>	Box rim
<b>Bowl configuration</b>	P Trap (converts to S using plastic S-bend provided)
<b>Set out</b>	S Trap: 90mm P Trap: 180mm fixed
<b>Pan fixing</b>	Fixed to floor
<b>Seat</b>	Matching top fix seat supplied with suite (soft close)
<b>Material</b>	Vitreous china
<b>Weight</b>	Pan: 27.5kg
<b>Standards</b>	AS 1172.1
<b>WELS</b>	4 Star
<b>Flushing</b>	4.5/3 litre dual flush



To see the complete Axa range go to [www.reece.com.au/bathrooms](http://www.reece.com.au/bathrooms)

## CLEANING RECOMMENDATIONS

We recommend the use of soapy water or approved bathroom cleaners. This bathroom product should not be cleaned with abrasive materials. Damage caused by any improper treatment is not covered by the product warranty - refer to Warranty Conditions on the last page.



**Disclaimer:** Products in this specification manual must by regulation be installed by licensed and registered trade people. The manufacturer/distributor reserves the right to vary specifications or delete models from their range without prior notification. Dimensions are nominal measurements only. Dimensions and set-outs listed are correct at time of publication however the manufacturer/distributor takes no responsibility for printing errors.

Tech Page Version 3

AXA

reece

# AXA

## X-TRE BACK TO WALL PAN

### INSTALLATION INSTRUCTIONS

#### Note

All measurements for roughing in should be taken from finished wall/floor. Dimensions shown are nominal measurements only. Once the sewer pipe, pan connector and water inlet point have been fixed into position, implement the following steps:

1. Position pan into pan connector and mark position of fixing holes.
2. Secure pan fixing clips to floor in marker positions.
3. Fit inlet seal rubber to the flush pipe and lubricate.
4. Carefully position pan into pan connector.
5. Check pan is level.
6. Secure pan to fixing clips using screws provided.

7. Flush toilet. Check for leaks.

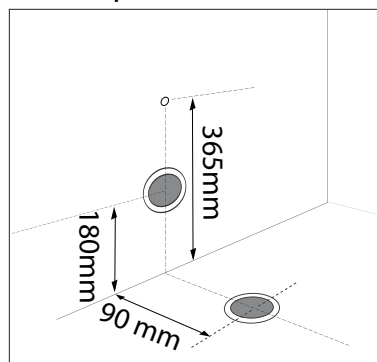
8. Seal pan to floor using flexible sealant.

#### Installation of Toilet Seat and Cleaning (separate instructions enclosed)

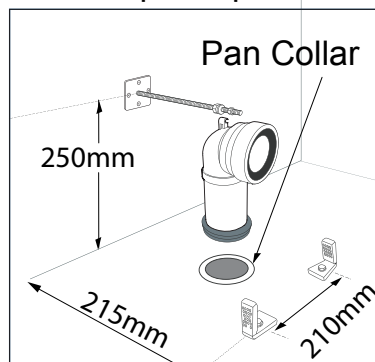
It is recommended that toilet seat and cover be installed after all trades are finished. The high quality vitreous china finish on this sanitary ware can be maintained by simply using mild soapy water and wiping over. No abrasive cleaners or chemicals should be used on vitreous china surface or toilet seats as this may lead to surface damage.

Do not use any toilet cleaners in the cistern. As the chemical compound may effect the internal mechanisms.

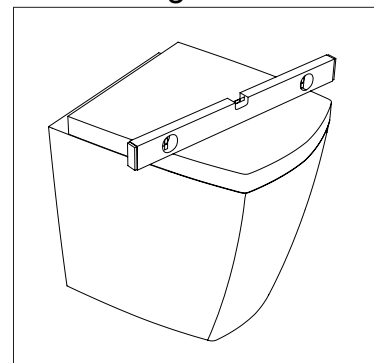
1. Setup



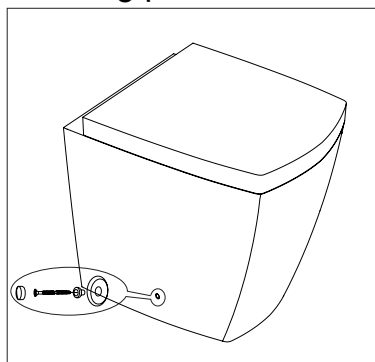
2. S -Trap setup



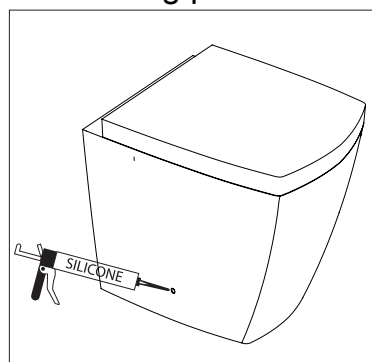
3. Levelling



4. Fixing pan to floor



5. Securing pan to floor



# AXA X-TRE BACK TO WALL PAN



## REECE PRODUCT QUALITY GUARANTEE

You have purchased a quality product from Reece Pty Ltd ABN 84 004 097 090 ("Reece"). This product is covered by a 15 year replacement product warranty and a 12 month warranty over spare parts and labour.

### 15 YEAR WARRANTY – DOMESTIC USE

This warranty covers faults in the product construction, material and assembly. Products which are within 15 years from the date of purchase, found upon inspection by an authorised Reece representative, to be defective in construction, material or assembly, will be repaired or exchanged with an equivalent product free of charge. Replaced items become Reece's property.

All replacement products will be available for collection without charge to the customer at the nearest Reece branch to the customer's location, or elsewhere as agreed between the customer and Reece.

### Labour and Spare Parts

The labour for the replacement of products and spare parts to which this warranty applies will be supplied by Reece or relevant supplier using licensed plumbers engaged by Reece or relevant supplier within 1 year from the date of purchase.

Spare parts (includes the toilet seat) which are within 1 year from the date of purchase found upon inspection by an authorised Reece representative to be defective in construction, material or assembly, will be replaced free of charge..

### Warranty Conditions

This warranty will apply only under all of the following conditions:

- The item has been installed by a licensed plumber
- The item has been installed for and subjected to domestic residential use only
- Failure is due to a fault in the manufacture of the product
- Proof of purchase (including the date of purchase) is provided
- The installation of the product is in accordance with the instructions provided

This warranty does not cover products purchased as an ex-display without being fully checked and tested for sale by the manufacturer.

This warranty does not include faults caused by:

- Unsuitable or improper use
- Incorrect installation or installation not in accordance with the instructions provided
- Installation or part installation by the purchaser or any person other than a LICENSED PLUMBER
- Normal wear and tear
- Inadequate or complete lack of maintenance
- Chemical, electrochemical or electrical influences
- Harsh detergents or abrasive cleaners used on product finishes

### 1 YEAR WARRANTY – COMMERCIAL USE

'Commercial' use is all use other than for normal domestic residential purposes, including use in non-business places as in public buildings, schools, sports centres and in establishments that contain private bathrooms with high frequency of use by many individuals, such as hotels, motels, retirement villages and hospitals.

The Commercial warranty covers this product against manufacturing faults in the construction, material and assembly of both the finished products and any spare parts for a period of 1 year from the date of purchase. Products and spare parts which are found upon inspection by an authorised Reece representative to be defective in construction, material or assembly will be repaired or exchanged free of charge. Replaced items become Reece's property. The labour for the replacement of products and spare parts to which this warranty applies will be supplied by Reece or relevant supplier using licensed plumbers engaged by Reece or relevant supplier. The Warranty Conditions and exclusions which apply to the domestic use warranty also apply to this commercial warranty.

### EXCLUSIONS

To the fullest extent permitted by law, Reece excludes all liability for damage or injury to any person, damage to any property, and any indirect consequential or other loss or damage.

### CLAIM PROCEDURE

For all warranty queries customers are to contact the branch where the product was purchased. These details can be found on your purchase invoice.

Our goods come with guarantees that cannot be excluded under the Australian Consumer Law. You are entitled to a replacement or refund for a major failure and for compensation for any other reasonably foreseeable loss or damage. You are also entitled to have the goods repaired or replaced if the goods fail to be of acceptable quality and the failure does not amount to a major failure.