

Tapware is to be installed by a Licensed Plumber in accordance with AS/NZS 3500:2003

Recommended working water pressure 300-500 kpa.
Maximum water temperature is 65 deg.c.

INSTALLATION GUIDE

Scala Floor Mount Bath Mixer

Product code: SFMMC
SFMMQ

Available options:
Floor Mount Mixer Curved Outlet
Floor Mount Mixer Square Outlet

Reece code:
2280907
2280908

CONNECTIONS

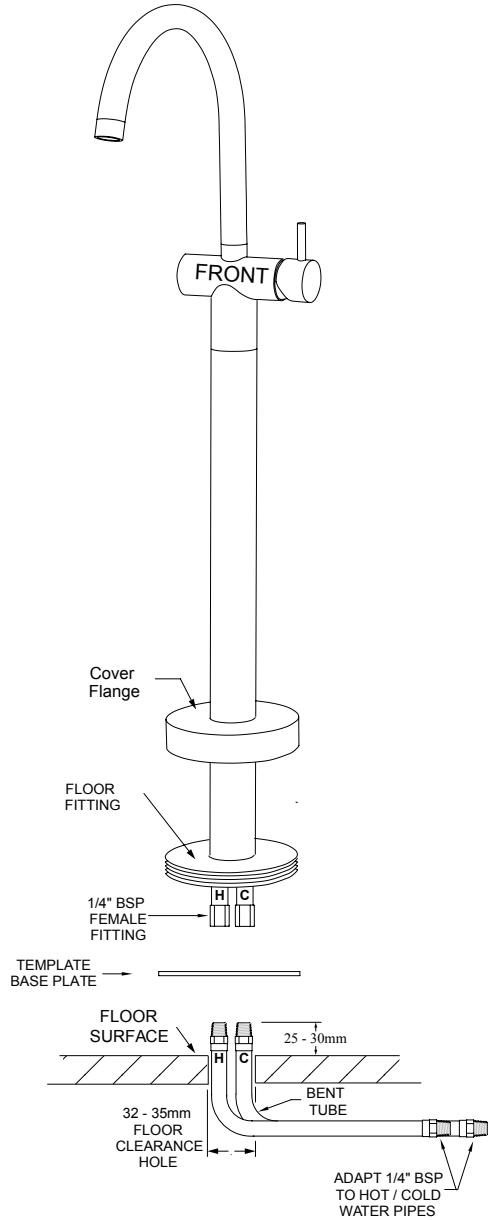
- This mixer is fitted with Flexible Hoses that have 1/4" BSP female connections.
- The 1/4" BSP female fittings of the Flexible hoses have a cone seal.
- The Mixer is also supplied with 350mm Copper Tubing that has 1/4" BSP male fittings brazed on both ends.
- Adapter fittings from main Hot/Cold Lines to 1/4" fittings of the Copper tube are not supplied.

ROUGH IN PLUMBING

- Floor Surface clearance hole is to be between 32 - 35mm.
- Use the provided Template / Base plate to mark out the fixing points (X4).
- Drill for appropriate Fixing screws / Fasteners. (Not supplied)
- Directional arrow on the base plate indicates the Mixer angle to the Bath.
- Calculate and carefully bend the Copper Tube 90 degrees at the appropriate point. (Do not kink the Tube).
- Ensure the 1/4" fitting will finish 25 - 30mm passed the Floor Surface. (See drawing)
- Pass the bent Tubes through the Floor Surface and connect to the main Hot and cold water lines. Adapter fittings are not supplied
- Saddle or brace the water lines where possible to prevent excessive movement.
- Use thread tape and fit the provided End Caps to the 1/4" threads above the floor surface until final fit off is required.
- Perform pressure test to check connections for leaks prior to final fit off.

FIT OFF

- Fit Outlet to Post and rotate to engagement location, then swivel to operation position.
- NOTE:** a second person will be required to assist when connecting Mixer.
- Shut off the water supply.
- Completely seal the Floor Surface around the protruding 1/4" fittings.
- Place the Template/Base Plate over the 1/4" fittings and align the directional arrow on the template to be in direction of Outlet.
- Remove the End Caps from the 1/4" fittings.
- Seek assistance, a second person will be required to hold the mixer in place while the Flexible hoses are connected.
- The fittings on the Flexible Hoses have a cone seal.
- Using the appropriate spanners, attach and tighten the Flexible hoses to the 1/4" male fittings (Tighten well).
- Unscrew the Cover Flange from the Floor Fitting and carefully raise enough to allow the Mixer to be fastened.
- Lower the Mixer onto the Template / Base Plate and lightly secure the Mixer in position.
- Check with a level that the Mixer is Square.
- If required use the "Jacking" screws (4) located in the Floor Fitting to level the Mixer.
- Once the Mixer is level, secure the Mixer to the Floor (Tighten well).
- Lower the Cover Flange to meet the Finished Floor Surface.
- Re-establish water supply and check Mixer operation and check for any leaks.



TEMPLATE/BASE PLATE

