

ISSY //

Z1 BALLERINA OVAL SHAVING CABINET



Named for its signature Zuster-designed "Ballerina" design, ISSY Z1 Ballerina pays homage to craftsmanship and bespoke design with a series of cleverly integrated luxuries. The ISSY Z1 Ballerina Oval Shaving Cabinet features two to four internal shelves and is made of the finest American Oak timber - a beautiful addition to your bathroom. The Z1 Oval Shaving Cabinet can also be customised, allowing you to achieve your ultimate designer look

Designed and Manufactured in Australia

SPECIFICATIONS

Recommended use	Domestic, Commercial & Hotel
Materials	American Oak Veneer Carcass Solid American Oak Framing Detail Mirror - 4mm Australian Made Safety Mirror
Timber Colours	American Oak, Charcoal Oak, Pony Oak, Hazelnut Oak.
Fixing	Freestanding/ Optional Fixing
Features	2 - 4 Adjustable Shelving
Fixing	Bolted / Screwed to Wall by a Licensed Trades Person



To see the complete ISSY range go to
www.reece.com.au/bathrooms

STANDARD SIZES	OVLSHAV800	OVLSHAV900	OVLSHAV1000	OVLTALL1800
Width (mm)	325	380	500	450
Depth (mm)	150	150	150	150
Height (mm)	800	900	1000	1800
Adjustable Shelves	2	2	2	4

CUSTOM SIZES	OVLSHAV600-800	OVLSHAV801-1000	OVLSHAV1001-1200	OVLTALL1400-1799	OVLTALL1801-2100
Width (mm)	300-400	350-400	501-600	400-449	451-600
Depth (mm)	150	150	150	150	150
Height (mm)	600-800	801-1000	1001-1200	1400-1799	1801 - 2000
Adjustable Shelves	2	2	3	3	4

CLEANING RECOMMENDATIONS

Your timber frame should be cleaned with a mild, non acidic, non abrasive detergent and soft cloth . Finish by cleaning off detergents with a soft damp cloth and towel dry. Always clean spills and water immediately.

Damage caused by any improper treatment is not covered by the product warranty. Refer to Warranty Conditions.

Disclaimer: Products in this specification manual must by regulation be installed by licensed and registered trade people. The manufacturer/distributor reserves the right to vary specifications or delete models from their range without prior notification. Dimensions are nominal measurements only. Dimensions and set-outs listed are correct at time of publication however the manufacturer/distributor takes no responsibility for printing errors.

Tech Page Version 1

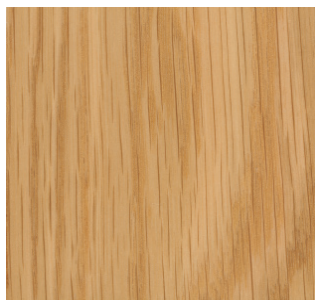
ISSY // **reece**

ISSY //

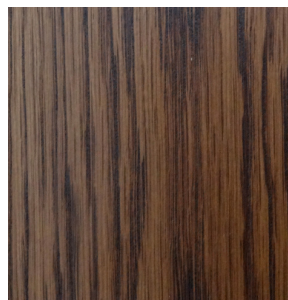
Z1 BALLERINA OVAL SHAVING CABINET

COLOUR OPTIONS

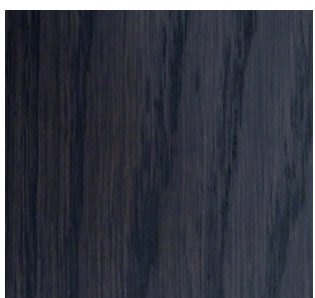
TIMBER OPTIONS



AMERICAN OAK



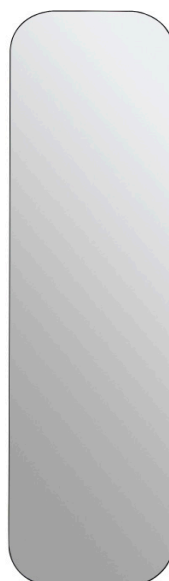
HAZELNUT OAK



PONY OAK



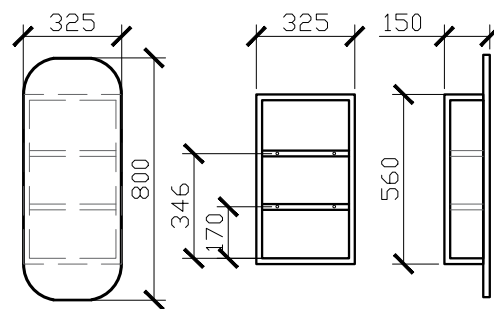
CHARCOAL OAK



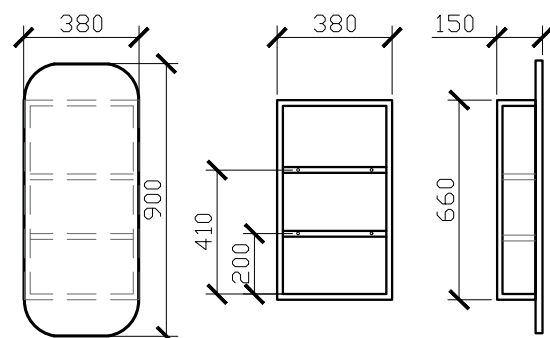
Plumbers, please ensure a copy of the installation instructions is left with the end user for future reference

ISSY // Z1 BALLERINA OVAL SHAVING CABINET

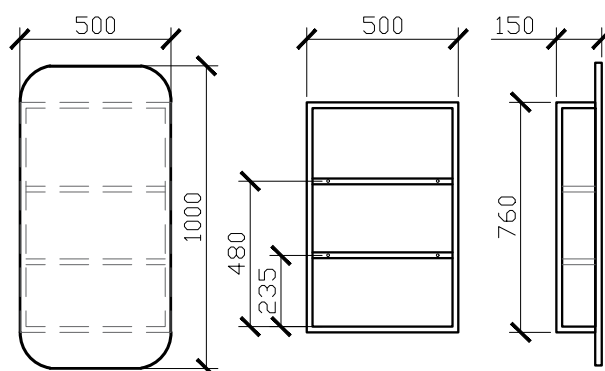
STANDARD SIZES



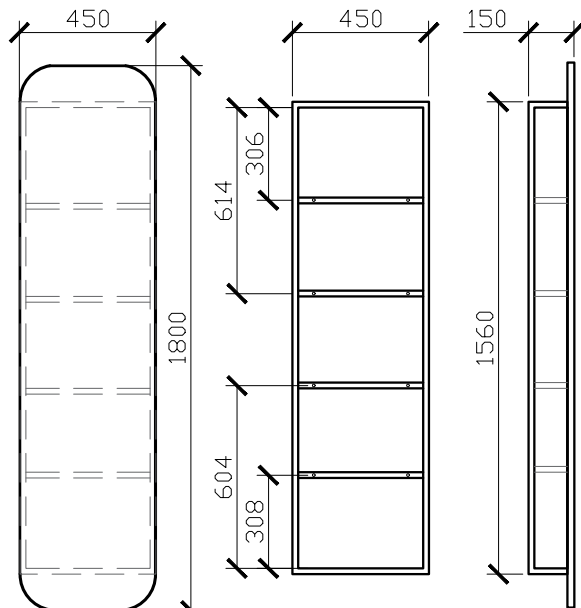
325W X 150D X 800H



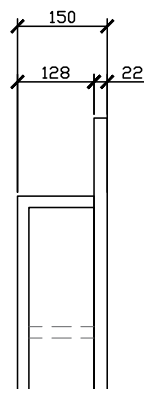
380W X 150D X 900H



500W X 150D X 1000H



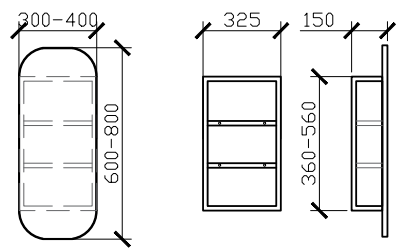
450W X 150D X 1800H



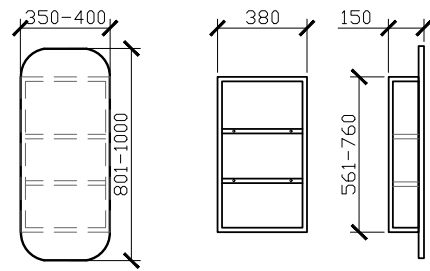
Disclaimer: Products in this specification manual must by regulation be installed by licensed and registered trade people. The manufacturer/distributor reserves the right to vary specifications or delete models from their range without prior notification. Dimensions are nominal measurements only. Dimensions and set-outs listed are correct at time of publication however the manufacturer/distributor takes no responsibility for printing errors.

ISSY // Z1 BALLERINA OVAL SHAVING CABINET

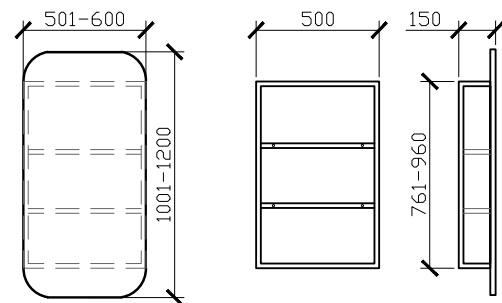
CUSTOM SIZES



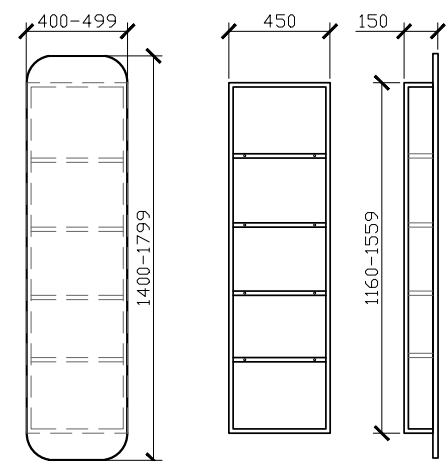
300-400W X 150D X 600-800H



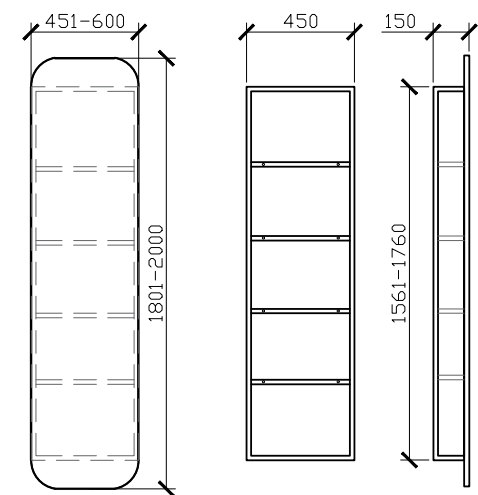
350-400W X 150D X 801-1000H



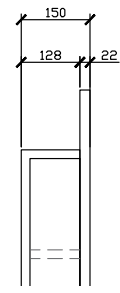
501-600W X 150D X 1001-1200H



400-449W X 150D X 1400-1799H



451-600W X 150D X 1801-2000H



ISSY //

Z1 BALLERINA OVAL SHAVING CABINET

SHAVING CABINET FITTING INSTRUCTIONS

Mirror should be installed by a qualified, licensed trade person.

Cabinet Fitting Instructions

- Prior to installation it is important to inspect the cabinet to ensure no damage has occurred in transit. If damage has occurred, or a visible defect exists, do not proceed with the installation and advise supplier immediately. No warranty claim for damage will be accepted if the vanity is installed.
- Prior to installation check wall/tile surface where unit will be fitted is flat and even. Installing on uneven wall will result in the unit twisting – DO NOT PROCEED.

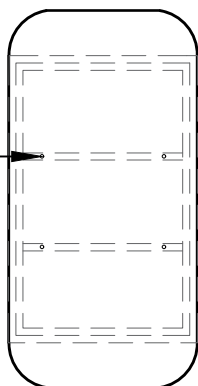
PLEASE NOTE: MANUFACTURER WILL NOT BE LIABLE FOR THE COST OF INSTALLATION OR REMOVAL OF THE MIRROR & THE WARRANTY WILL BE VOIDED IF DAMAGE OCCURRED DURING INSTALLATION.

Find studs on wall of installation and mark them so they can be seen when cabinet is in place.

1 Place cabinet in position to be installed, It is recommended installation is assisted with stands.

2. Ensuring unit is level, screw through anywhere of the back of the unit into studs.

3. You can also use silicon to mount the mirror permanently. ENSURING SCREWS ARE FIXED TO STUDS. Allow enough fixing points at the top and bottom of the back panel to sufficiently secure the unit to the wall.

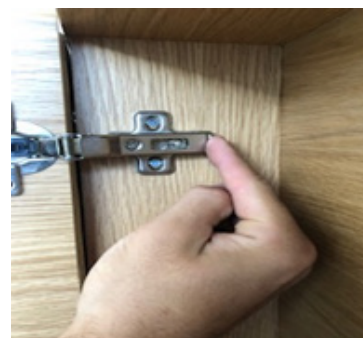


INSTALLATION HOLES HIDDEN BY
ADJUSTABLE SHELVES

REMOVE DOOR

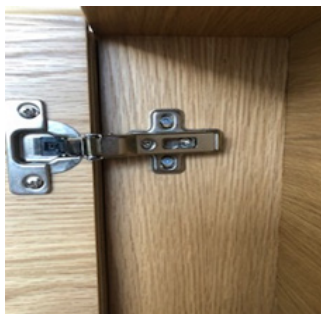


1. Pull tag off



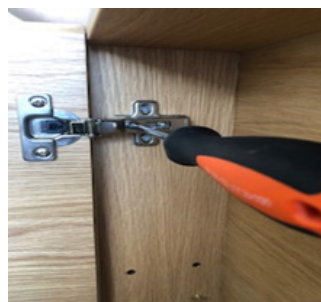
2. Push down clip and remove door

HEIGHT ADJUSTMENT

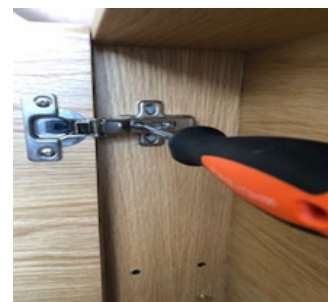


1. Loosen the 2 screws on each side and lift door up and down, re-tighten screws.

SIDE TO SIDE ADJUSTMENT



1. Turn left/right for side to side adjustment.



2. Turn left to right for depth adjustment.