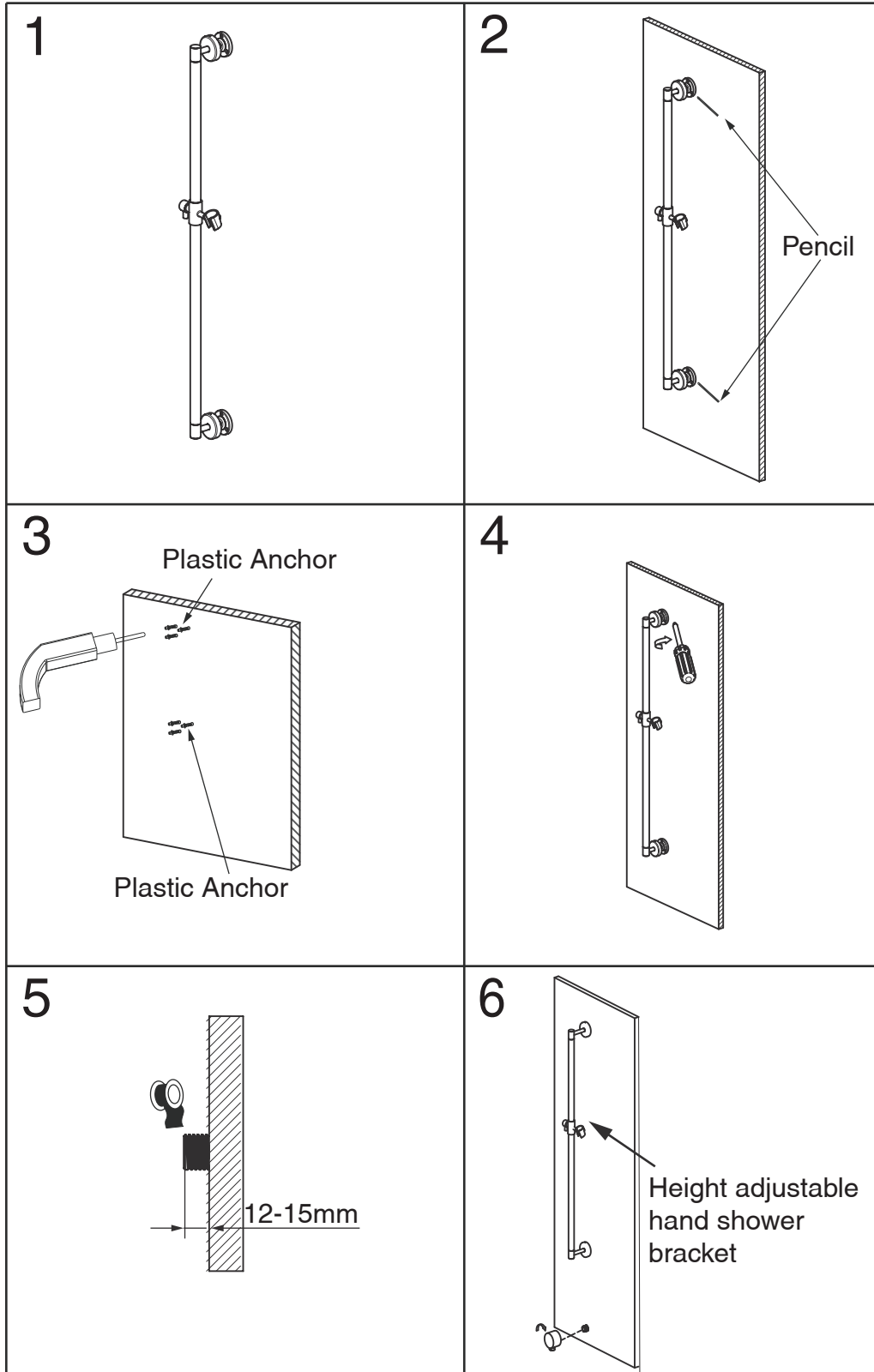


Milli

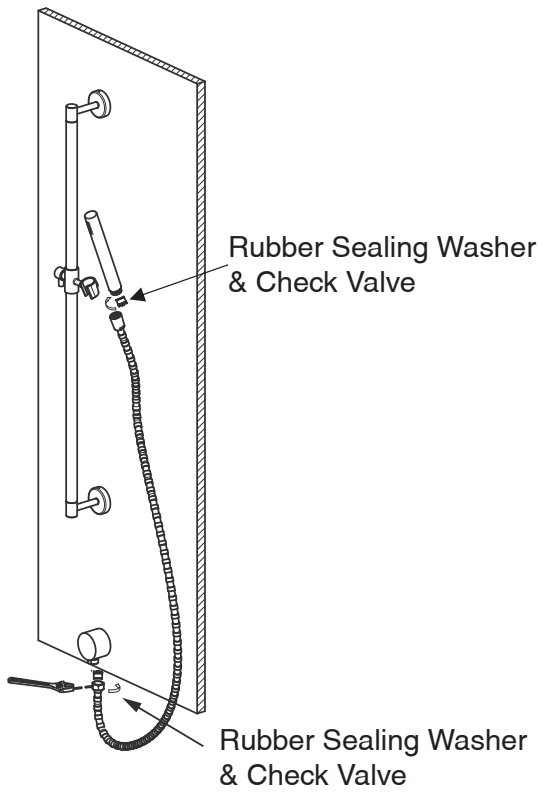
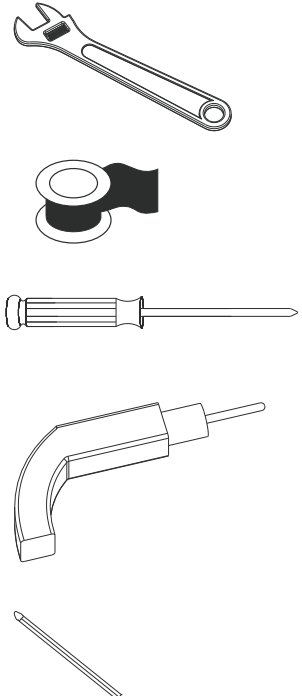
Milli Inox Rail Shower (3*)



Plumbers, please ensure a copy of the Installation Instructions are left with the end user for future reference



Milli Inox Rail Shower (3*)

<p>7</p>  <p>Rubber Sealing Washer & Check Valve</p> <p>Rubber Sealing Washer & Check Valve</p>	<p>Tools Required</p> 
---	--

WATER SUPPLY REQUIREMENTS:

To ensure optimum performance and customer satisfaction please adhere to the following:

- If the water pressure exceeds or is likely to exceed 500kPa, an approved pressure limiting valve must be fitted
- Flush out all pipe work prior to installation
- If the water temperature exceeds 50°C, an approved tempering valve must be fitted
- Installation should comply with Australian standard AS/NZS 3500 or relevant local authority requirements

CLEANING RECOMMENDATIONS:

We recommend the use of soapy water or approved cleaners. This product should not be cleaned with abrasive materials. Damage caused by any improper treatment is not covered by the product warranty. Refer to Warranty Conditions