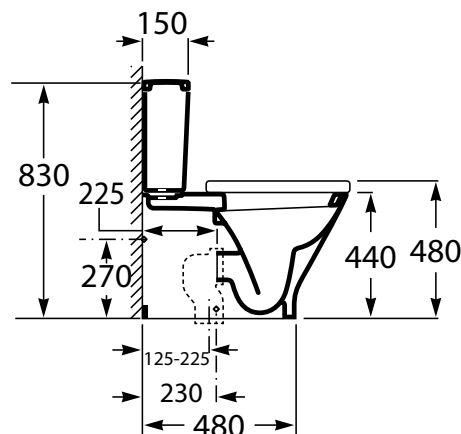
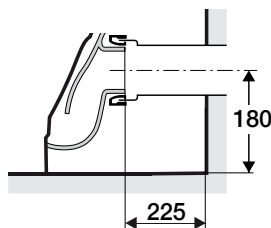
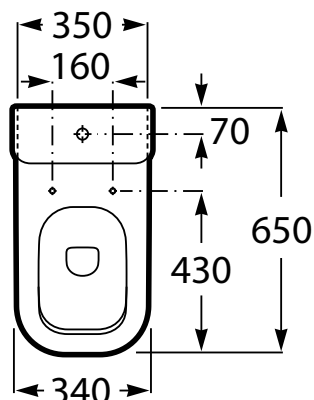


ROCA

THE GAP CLOSE COUPLED BACK TO WALL BOTTOM INLET COMFORT HEIGHT TOILET SUITE



Dimensions are nominal measurements only

SPECIFICATION

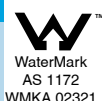
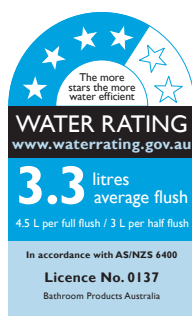
Recommended Use	Domestic, hotel and commercial
Rim Configuration	Box Rim
Bowl Configuration	P Trap (Converts to S using plastic S-bend provided)
Pan Fixing	Screwed to the floor using brackets (supplied) and bedded with sealant
Cistern Fixing	Top-fix cistern bolted directly to the bowl
Seat	Soft-close quick release seat supplied with suite
Water Inlet	Bottom Inlet, right hand side (reversible)
Inlet Valve	Recommended max. working pressure 1000kPa
Weight	Pan: 33kg, Cistern: 10.7kg
WELS	4 Star WELS Rating 4.5/3 litres dual flush 3.3 litres average flush
Standards	AS1172



To see the complete Roca range go to
www.reece.com.au/bathrooms

CLEANING RECOMMENDATIONS

We recommend the use of soapy water or approved cleaners.
This product should not be cleaned with abrasive materials.
Damage caused by any improper treatment is not covered by the product warranty.
Refer to Warranty Page for full Terms and Conditions.



Disclaimer: Products in this specification manual must by regulation be installed by licensed and registered trade people. The manufacturer/distributor reserves the right to vary specifications or delete models from their range without prior notification. Dimensions and set-outs listed are correct at time of publication however the manufacturer/distributor takes no responsibility for printing errors.

Tech Page Version 1



ROCA

THE GAP CLOSE COUPLED BACK TO WALL BOTTOM INLET COMFORT HEIGHT TOILET SUITE

INSTALLATION INSTRUCTIONS

1 Pre-assembly of the toilet bowl.

2 Positioning the toilet with a 200mm gap from the wall.

3 Drilling a hole in the floor with a diameter of $\varnothing 8$ mm and a depth of 45 mm.

4a The Gap Close Coupled Comfort Height Toilet (A34247C..R). Securing the toilet to the wall with a bolt.

4b The Gap Close Coupled Toilet (A34247A..R). Securing the toilet to the floor with a bolt.

5 Lowering the toilet into the hole. The 'POS' scale indicates the correct height. A warning symbol is present.

6 Pushing the toilet down into the hole. A warning symbol and 'MASTIC' with a cross are shown.

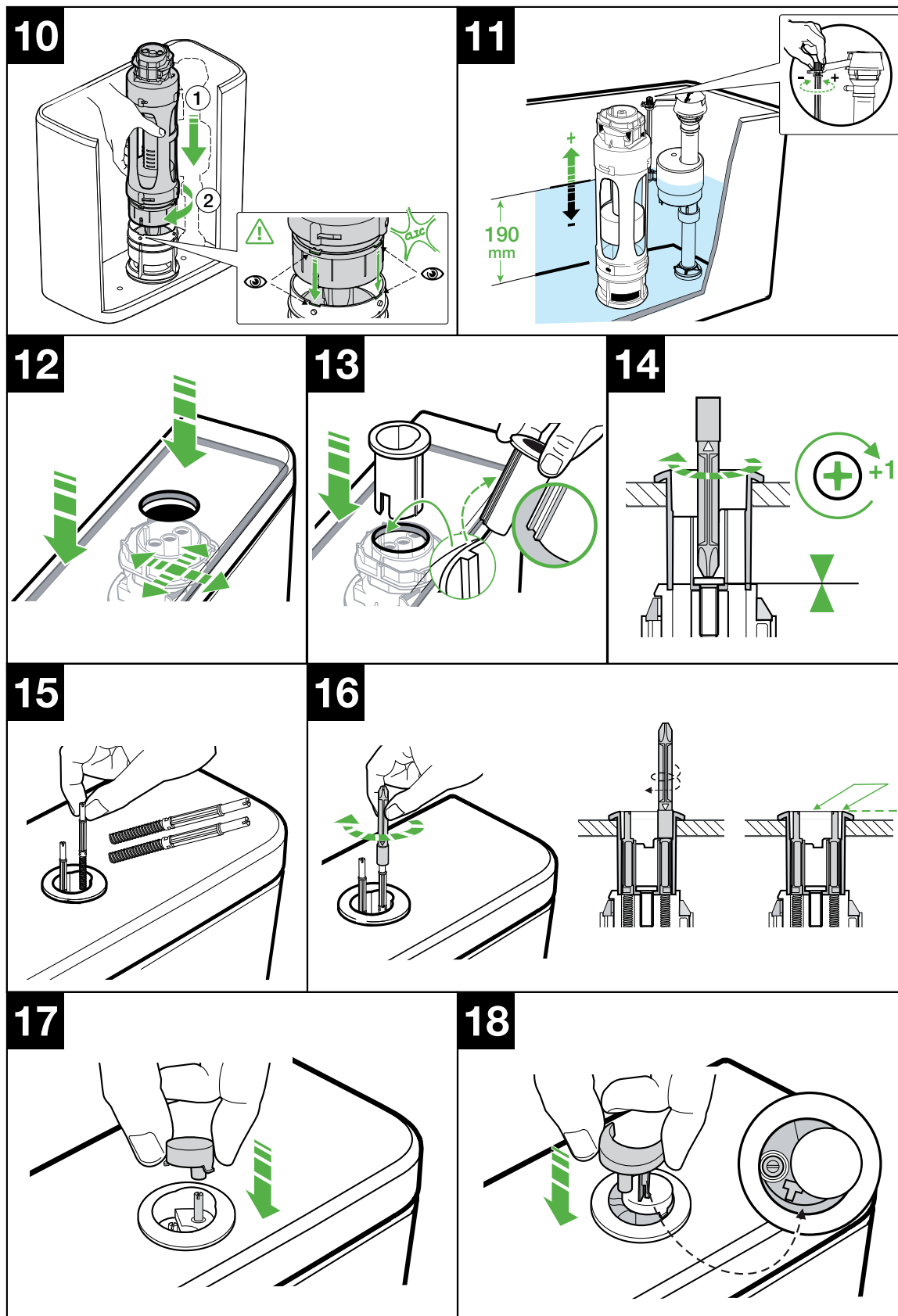
7 Securing the toilet to the wall with a bolt. A warning symbol is present.

8 Securing the toilet to the floor with a bolt. A warning symbol is present.

9 Securing the toilet to the floor with a bolt. A weight of 50 KG is applied. A warning symbol is present.

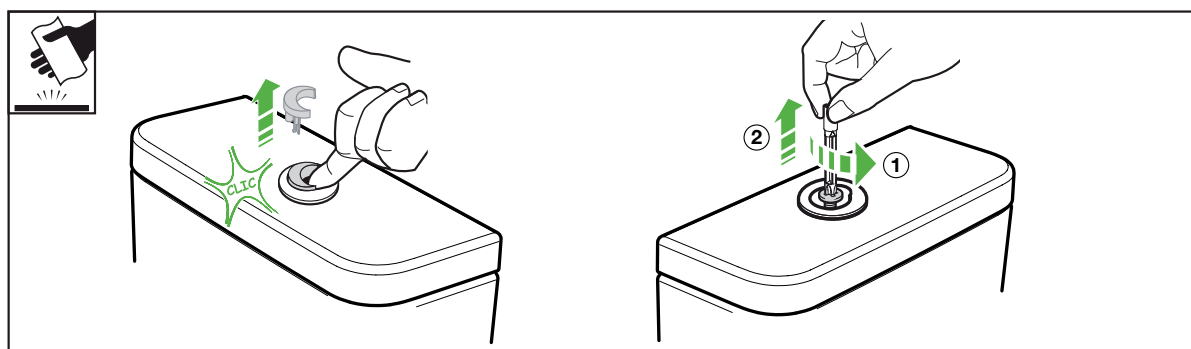
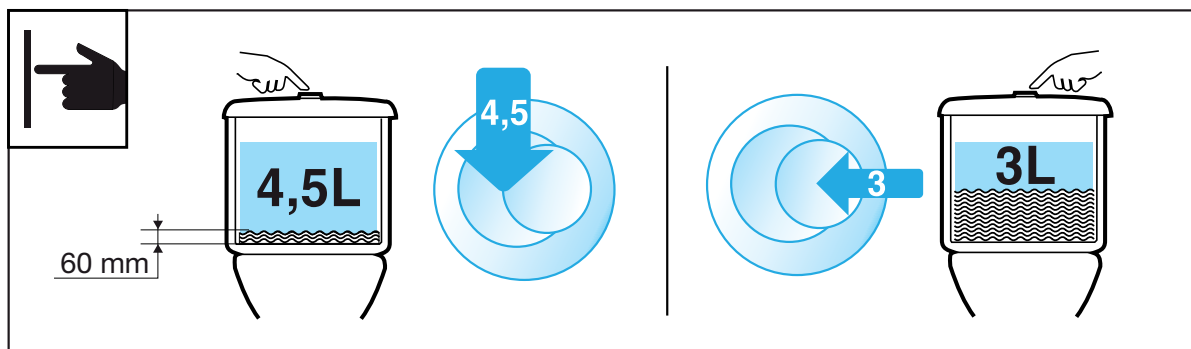
ROCA

**THE GAP CLOSE COUPLED BACK TO WALL
BOTTOM INLET COMFORT HEIGHT TOILET SUITE**

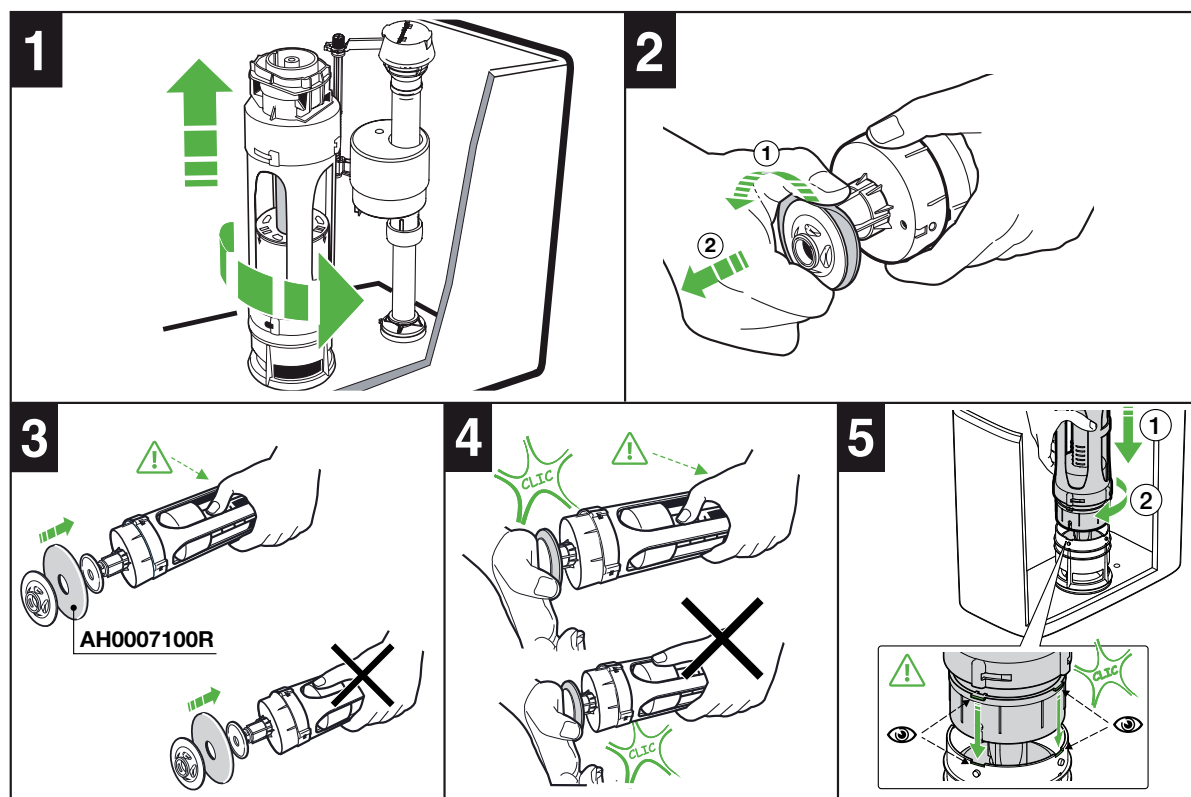


ROCA

THE GAP CLOSE COUPLED BACK TO WALL BOTTOM INLET COMFORT HEIGHT TOILET SUITE



MAINTENANCE / REPLACEMENT OF OUTLET WASHER

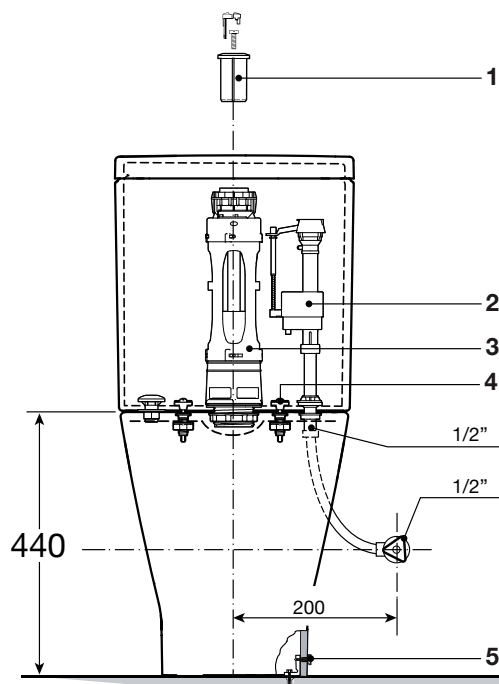



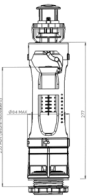


Plumbers, please ensure a copy of the installation instructions is left with the end user for future reference

ROCA

THE GAP CLOSE COUPLED BACK TO WALL BOTTOM INLET COMFORT HEIGHT TOILET SUITE

PARTS LISTING



Roca Part Number	Reece Code	Product Description	
1 - AH0001700R	9503601	Dual Flush Buttons	
2 - A822096200 W	1842173	Fluid Master Inlet Valve	
3 - AH0000100R	9503596	Outlet Valve D4D	
4 - AV0028800R	9504686	Foam Seal & Cistern Bolts	
5 - AV0009400R		Pan Floor Fixing Bracket Set	

TOILET SEAT PARTS LISTING

Reece Code	Product Description
9503568	Soft Close Quick Release Seat MKII
9504274	MKII Seat Fixing Kit
9504066	Seat Buffer