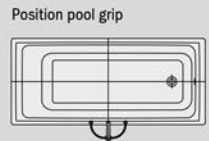
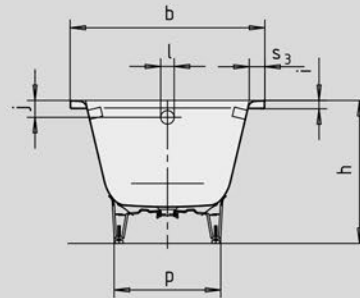
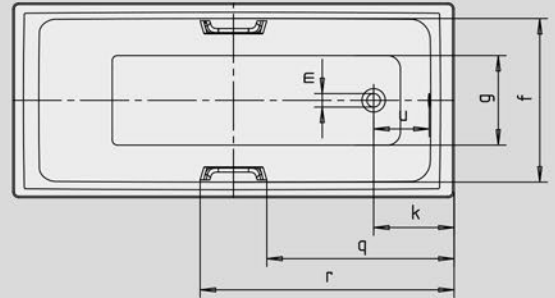
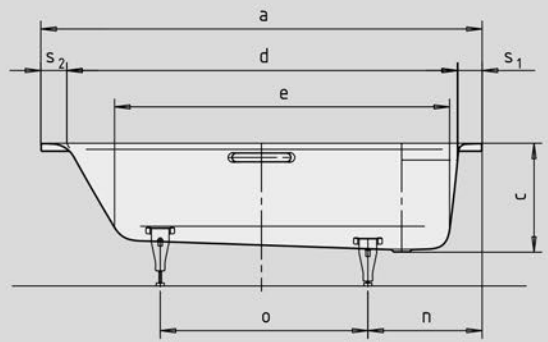


# PURO

## PURO STAR

- straightlined, purist design
- one-seater bath with waste at foot end
- classic four-cornered model
- made of KALDEWEI steel enamel
- model available with 2 standard tap holes without extra charge (180 mm centres)



Similar illustration

### GRIP ELEGANT PURISM



Model No.		683	685	687	689	652	654
External length	a	1600	1600	1700	1700	1700	1700 mm
External width	b	700	700	700	700	750	750 mm
Depth	c	420	420	420	420	420	420 mm
Internal length (top)	d	1410	1410	1510	1510	1510	1510 mm
<b>Internal length (bottom)</b>	<b>e</b>	<b>1180</b>	<b>1180</b>	<b>1280</b>	<b>1280</b>	<b>1280</b>	<b>1280 mm</b>
Internal width (top)	f	580	580	580	580	620	620 mm
Internal width (bottom)	g	410	410	410	410	460	460 mm
Height with feet	h	552-572	552-572	555-565	555-565	554-568	554-568 mm
Height of rim	i	32	32	32	32	32	32 mm
Distance top edge to centre of overflow hole	j	65	65	65	65	65	65 mm
Distance bath edge (foot) to centre of drain hole	k	310	310	310	310	310	310 mm
Diameter of overflow hole	l	52	52	52	52	52	52 mm
Diameter of drain hole	m	52	52	52	52	52	52 mm
Distance foot end of bath edge to centre of foot	n	435	435	445	445	445	445 mm
Distance between the feet	o	705	705	755	755	750	750 mm
Max. width of feet	p	410	410	420	420	470	470 mm
Distance bath edge (foot end) to where grip/handle starts	q	-	671,5	-	721,5	-	721,5 mm
Distance bath edge (foot end) to where grip/handle ends	r	-	928,5	-	978,5	-	978,5 mm
Width of rim (foot end; head end; lengthwise)	s <sub>1</sub> ; s <sub>2</sub> ; s <sub>3</sub>	90; 100; 60	90; 100; 60	90; 100; 60	90; 100; 60	90; 100; 60	90; 100; 60 mm
Distance between centre holes	u	214	214	214	214	214	214 mm
Water volume** in litres		105	105	122	122	137	137
Weight of the enamelled bath in kg		46	46	49	49	51	51
Anti-slip		300 x 300	300 x 300	300 x 300	300 x 300	348 x 348	348 x 348
Full anti-slip		708 x 252	708 x 252	876 x 252	876 x 252	924 x 348	924 x 348

Subject to technical alterations, tolerances and errors. Similar illustration.

\*\* 70 litres displacement on average.

**KALDEWEI**