

# MILLI GLANCE SINK MIXER

## INSTALLATION INSTRUCTIONS

### Milli Glance Sink Mixer Installation Instruction

#### Water Supply Requirements

To ensure optimum performance and customer satisfaction please adhere to the following:

- Maximum hot water temperature 75°C.
- Recommended minimum working pressure 150kPa.
- Recommended maximum working pressure 500kPa.

If the water pressure exceeds or is likely to exceed 500kPa, an approved pressure limiting valve must be fitted.

- Flush out all pipe work prior to installation.
- If the water temperature exceeds 75°C an approved tempering valve must be fitted.
- Installation should comply with Australian standard AS3500.1 or relevant local authority requirements.

Failure to comply with the above may void all warranties. For details on Phoenix's warranty policy refer to [www.phoenixtapware.com.au](http://www.phoenixtapware.com.au)

#### Maintenance and Care

Do not use cleaning agents containing a corrosive acid or scouring agent. Do not use cream cleaners, as they are abrasive.

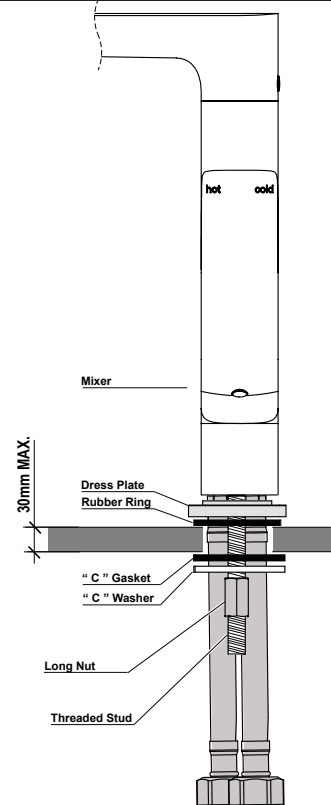
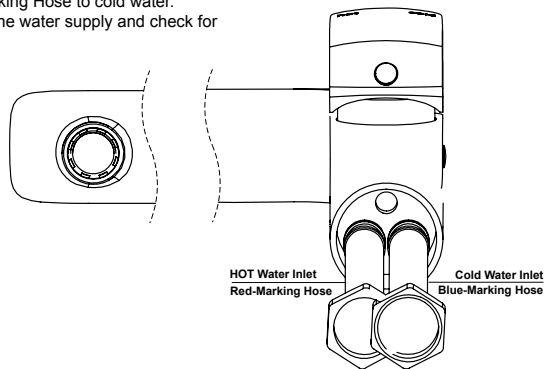
Surfaces should only be cleaned with a cloth and clear water of mild liquid detergent. Use of unsuitable cleaning agents may damage the surface.

#### Guarantee

This product is guaranteed against faulty workmanship and materials for 1 year from the date of purchase. Installation must be done by a licensed plumber or this guarantee will be void.

#### Installation Instruction

- 1 : Cut a mounting hole 35mm in diameter.
- 2 : Remove one of the hose assemblies from the mixer. Run Dress Plate over both Hose Assembly, as shown.
- 3 : Reattach the hose assembly to Mixer and fasten with a spanner.
- 4 : Screw the threaded stud into mixer base.
- 5 : Fit the rubber ring into Dress Plate groove.
- 6 : Position Mixer over the mounting hole. Feed the hoses through the mounting hole.
- 7 : From underneath the bench, fit "C" gasket and "C" washer over both hoses and the threaded stud .
- 8 : Screw on long nut and fasten firmly with a tube spanner to secure the mixer.
- 9 : Connect the water supply.  
Red-Marking Hose to hot water.  
Blue-Marking Hose to cold water.
- 10: Turn on the water supply and check for leaks.



IN0146 revA