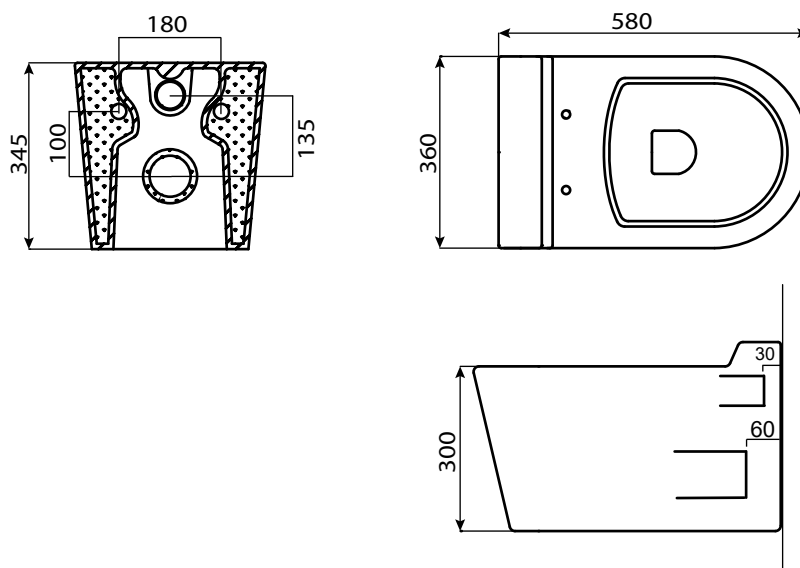


# KADO

## LUX WALL HUNG PAN



Dimensions are nominal measurements only

### SPECIFICATIONS

|                           |   |
|---------------------------|---|
| <b>Recommended Use</b>    | Domestic, Hotel and Commercial  |
| <b>Material</b>           | Vitreous China  |
| <b>Colour</b>             | White   |
| <b>Weight</b>             | Pan: 28kg   |
| <b>Seat</b>               | Soft close quick release toilet seat<br>Soft close quick release thin toilet seat<br>Non soft close standard seat |
| <b>Rim Configuration</b>  | Box Rim   |
| <b>Bowl Configuration</b> | P Trap only   |



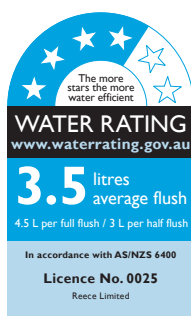
To see the complete KADO range go to [www.reece.com.au/bathrooms](http://www.reece.com.au/bathrooms)

### CLEANING RECOMMENDATIONS

We recommend the use of Soapy water or approved bathroom cleaners.

This bathroom product should not be cleaned with abrasive materials.

Damage caused by any improper treatment is not covered by the product warranty. Refer to Warranty Conditions.



**Disclaimer:** Products in this specification manual must by regulation be installed by licensed and registered trade people. The manufacturer/distributor reserves the right to vary specifications or delete models from their range without prior notification. Dimensions are nominal measurements only. Dimensions and set-outs listed are correct at time of publication however the manufacturer/distributor takes no responsibility for printing errors.

Tech Page Version 3



# KADO

## LUX WALL HUNG PAN

### INSTALLATION INSTRUCTIONS

• **Note:** All measurements for roughing in should be taken from the finished wall/floor.

- Once inwall cistern and brackets have been installed as per manufacturer's installation instructions, please implement the following steps to install pan

**It is important that frame and bracket system sits flush against back of finished wall.**

1. Cut flush pipe and outlet pipe to correct length
2. Ensure inlet and outlet pipe are securely fixed into place prior to installing pan (lubricate kee seal and outlet seal for easier installation).
3. To fit off, carefully align pan onto protruding bolts and inlet and outlet. Secure pan by inserting nylon bushes and tightening the lock nuts (nylon bushes and lock nuts supplied). Rotate eccentric bushes to level the pan.
4. Flush test for leaks.
5. Joint seal pan to wall using silicone.
6. Install soft closing toilet seat.

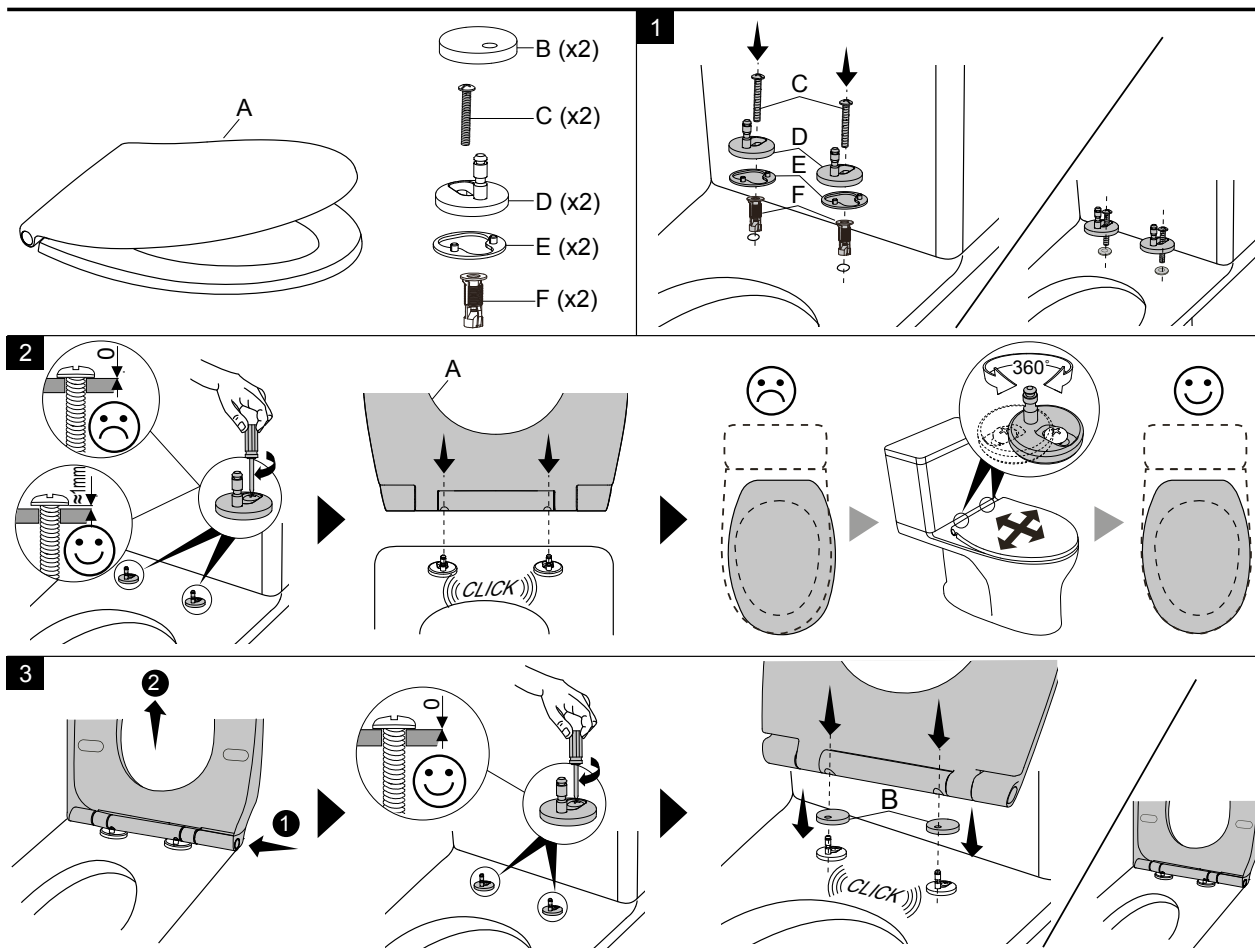
- **Note:** In all circumstances the wall onto which the pan is mounted shall be capable of supporting the pan and load without deflection

# KADO LUX WALL HUNG PAN

## LUX THIN SEAT INSTALLATION INSTRUCTIONS

### Important Note:

Soft close seat and covers can take up to 30 seconds to close. Do not force the closing mechanism as this may result in damage. The fixings of your seat may require re-tightening occasionally depending on use.



## SPARE PARTS

| Picture | Reece Code     | Product Description           |
|---------|----------------|-------------------------------|
|         | <b>9506341</b> | KADO LUX THIN SEAT BUFFER SET |
|         | <b>9506342</b> | KADO LUX THIN SEAT HINGE SET  |

Plumbers, please ensure a copy of the installation instructions is left with the end user for future reference

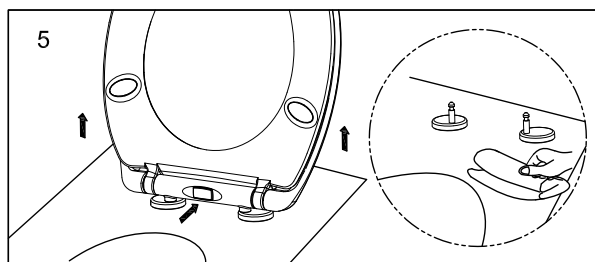
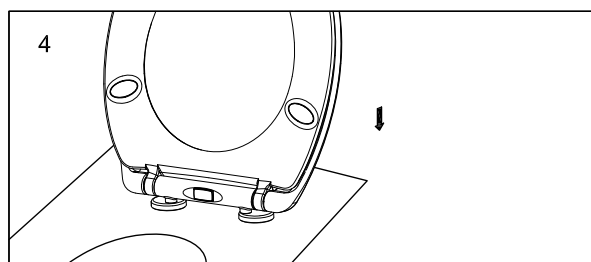
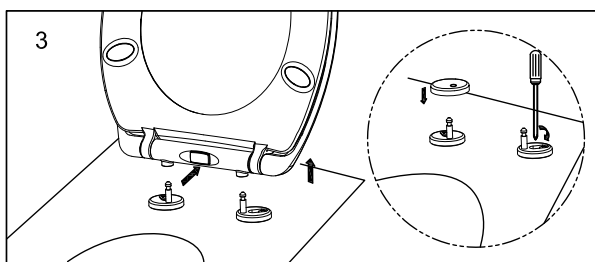
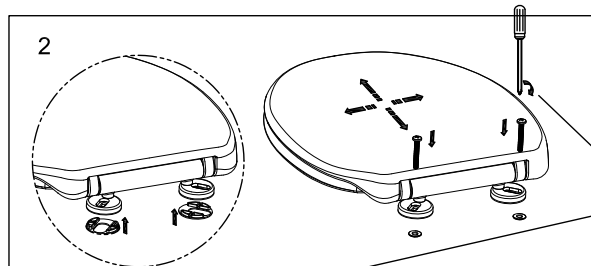
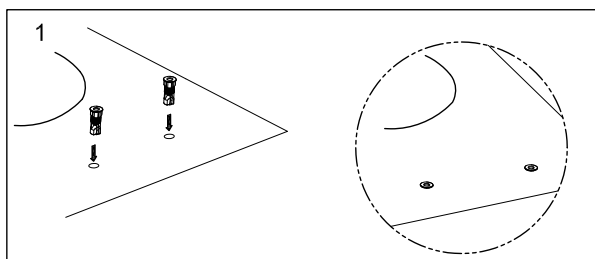
# KADO

## LUX WALL HUNG PAN

### LUX SEAT INSTALLATION INSTRUCTIONS

#### Important Note:



Soft close seat and covers can take up to 30 seconds to close. Do not force the closing mechanism as this may result in damage. The fixings of your seat may require re-tightening occasionally depending on use.



#### Top Fixing Installation procedure.

1. Insert the nylon toggles into the hinge holes of the pan.
2. Mount the hinges onto the shaft of the toilet seat.
3. Plug the bolt into the nylon toggle.
4. Align the toilet seat with the pan.
5. Tighten the screws.
6. Push the button to release the seat.
7. Lift the toilet seat.
8. Insert hinge covers over posts.
9. Fix seat into final position.

### SPARE PARTS

| Picture   | Reece Code     | Product Description               |
|---|----------------|-----------------------------------|
|  | <b>9506723</b> | KADO QUICK RELEASE SCS BUFFER SET |
|  | <b>9503294</b> | TOP FIX QUICK RELEASE HINGE SET   |

Plumbers, please ensure a copy of the installation instructions is left with the end user for future reference

KADO

reece