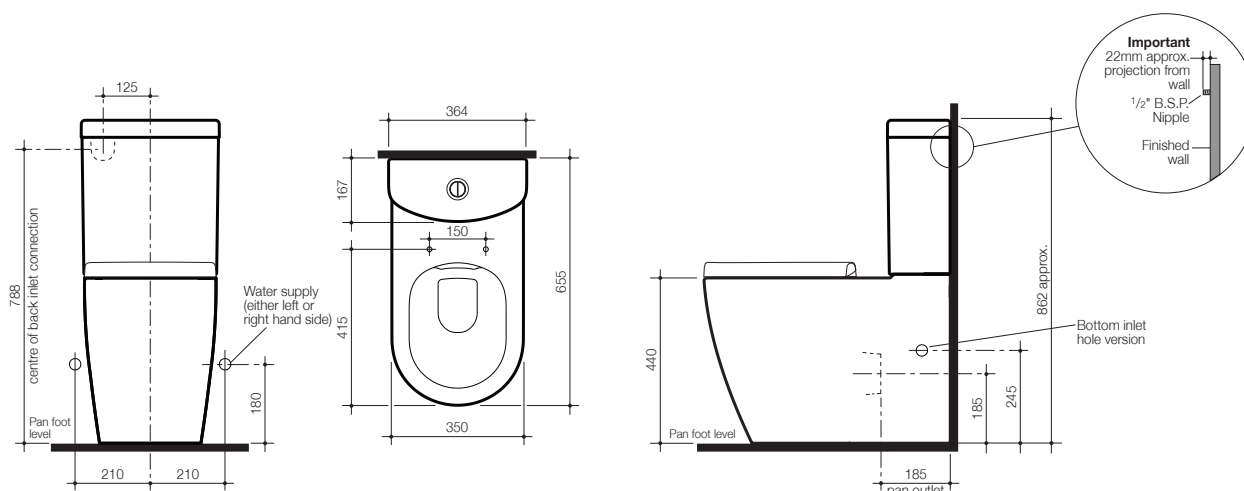


CAROMA FORMA CLEANFLUSH™

BACK TO WALL RIMLESS TOILET SUITE



All dimensions are in millimetres and are subject to normal manufacturing variations. Caroma pursues a policy of continuing improvement in design and performance of its products. The right is therefore reserved to vary specifications without notice.

SPECIFICATIONS

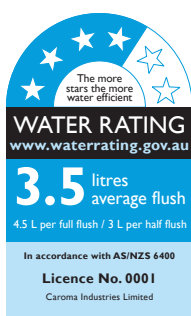
Recommended use	Domestic, hotel and commercial
Material	Pan: Vitreous china Cistern: Vitreous china Seat: Thermoset
Colour	White
Weight	Pan: 35 kg Cistern: 16 kg
Water inlet	Bottom inlet and back entry versions available
Inlet valve	Suitable for dynamic flow pressures of 30 kPa to 1000 kPa.
Bowl configuration	Universal trap for S or P trap installations
Rim configuration	Rimless
Seat	Arc soft close quick release thermoset toilet seat
Cistern fixing	Cistern is fixed directly to the pan with a robust concealed base fixing system without the need for wall fixing.
Pan fixing	Pan can be bedded to the floor with a sand cement mixture, or bedded with an acetic cured silicone sealant and fixed with the D82 Concealed Fixing Bracket, corrosion resistant screws and pan guard washers.



To see the complete CAROMA range go to www.reece.com.au/bathrooms

CLEANING RECOMMENDATIONS

We recommend the use of soapy water or approved cleaners. This product should not be cleaned with abrasive materials. Damage caused by any improper treatment is not covered by the product warranty. Refer to Warranty Conditions.



Disclaimer: Products in this specification manual must by regulation be installed by licensed and registered trade people. The manufacturer/distributor reserves the right to vary specifications or delete models from their range without prior notification. Dimensions and set-outs listed are correct at time of publication however the manufacturer/distributor takes no responsibility for printing errors.

Tech Page Version: 2

 cleanflush
Caroma

 reece

CAROMA FORMA CLEANFLUSH™

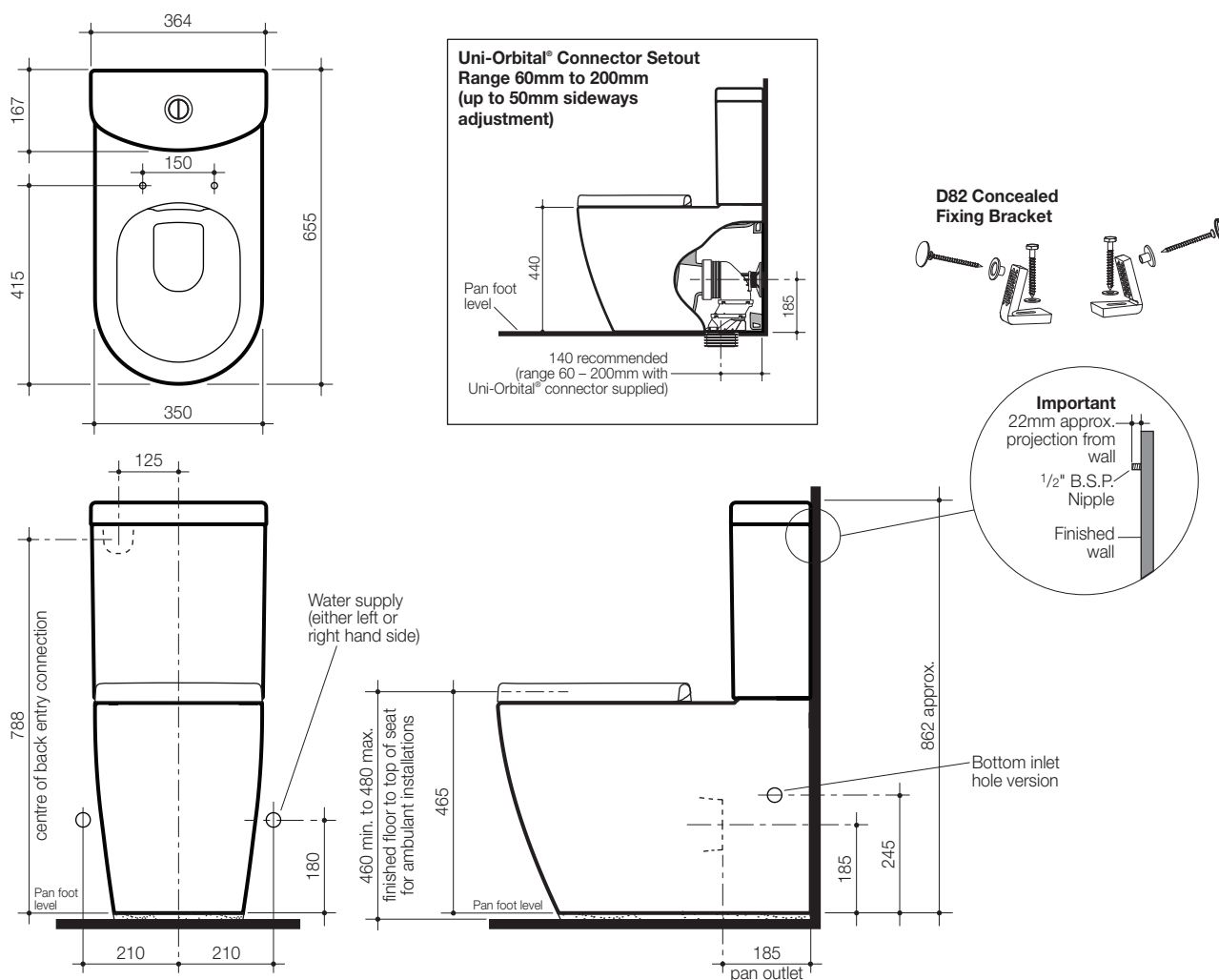
BACK TO WALL RIMLESS TOILET SUITE

INSTALLATION INSTRUCTIONS

Note: All height dimensions to underside of pan, make allowance for bedding.

Bedding: The pan should be bedded to the floor with a sand cement mixture of 3:1 to a depth of 60mm. Do not use lime or fast drying cement in the bedding mixture. When bedded the back of the foot of the pan should be approximately 10mm above the finished floor.

Screw fixing: The pan should be bedded with an acetic cured silicone sealant and fixed to the floor using the supplied D82 Concealed Fixing Bracket.



Plumbers, please ensure a copy of the installation instructions is left with the end user for future reference