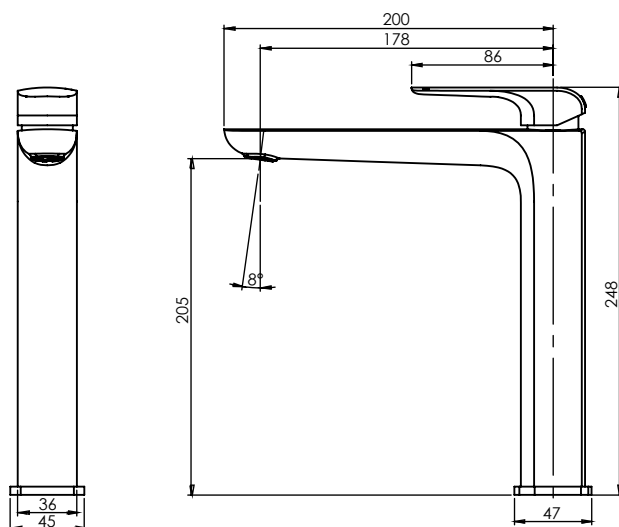


MILLI GLANCE

EXTENDED BASIN MIXER



SPECIFICATIONS

Recommended use	Domestic, Hotel and Commercial
Colour Availability	Chrome Matte Black Rose Gold Brushed Nickel Gun Metal
Pressure Rating	Maximum continuous operating pressure 1000kPa Note: As per AS3500 pressure must be limited to 500kPa on any new home, extension or renovation. Note: For best performance and longer life we recommend 150 - 500kPa
Temperature Rating	Maximum continuous working temperature 65°
Suitable Hot Water Units	Storage Tank - Yes Continuous Flow - Yes Gravity Feed - Not Recommended



To see the complete MILLI GLANCE range go to www.reece.com.au/bathrooms

CLEANING RECOMMENDATIONS

We recommend the use of soapy water or approved cleaners.

This product should not be cleaned with abrasive materials.

Damage caused by any improper treatment is not covered by the product warranty- refer to Warranty Conditions.



Disclaimer: Products in this specification manual must by regulation be installed by licensed and registered trade people. The manufacturer/distributor reserves the right to vary specifications or delete models from their range without prior notification. Dimensions are nominal measurements or Dimensions and set-outs listed are correct at time of publication however the manufacturer/distributor takes no responsibility for printing errors.

Tech Page Version 2

Milli

reece

MILLI GLANCE EXTENDED BASIN MIXER



INSTALLATION INSTRUCTIONS

Important Note

Mixer must be installed to the requirements of AS/NZS 3500 by a qualified plumber. Your mixer comes to you already factory assembled and tested. We do not recommend the dismantling of any internal part of the mixer. The mixers are factory tested and sealed so as to give the best performance.

MILLI GLANCE TALL BASIN MIXER INSTALLATION INSTRUCTION

WATER SUPPLY REQUIREMENTS

Recommended Working Pressure Maximum hot water temperature

Note:

- If the pressure exceeds or is likely to exceed 550kpa, an approved pressure limiting device must be installed.
- Flush out all pipe work prior to installation.
- If the water temperature exceeds 75°C, an approved tempering valve must be fitted.
- Installation should comply with Australian standard AS3500.1 or relevant local authority requirements.

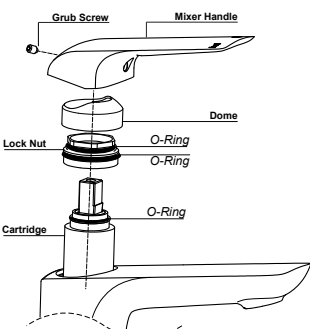
Failure to comply with the above may void all warranties.

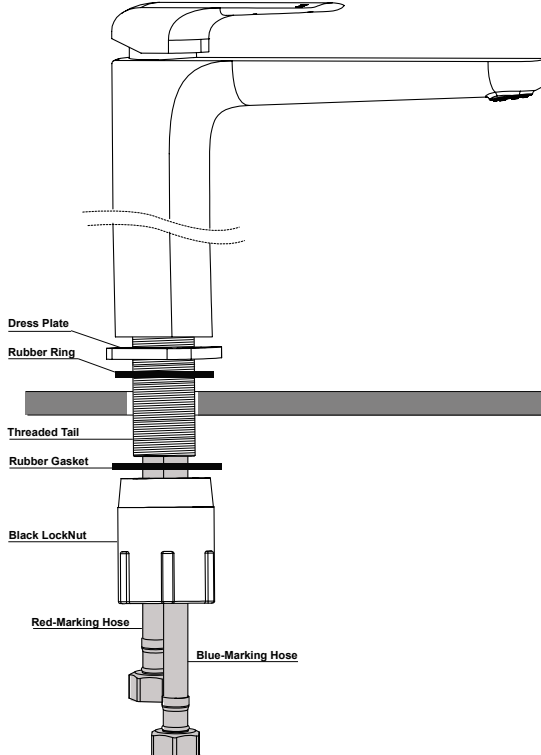
Maintenance and Care

- Chrome plated surfaces should be cleaned with mild liquid detergent or soap and water.
- Do not** use cream cleaners or citrus based cleaning products, as they are abrasive.
- Use of unsuitable cleaning agents may damage the surface. Any damage caused in this way will not be covered by warranty.

Installation Instructions

- 1 : Cut a mounting hole 35mm in diameter. There must be a minimum 10mm width of flat around the hole.
- 2 : Fit Rubber Ring into groove on the dress plate.
- 3 : Fit hoses through the dress plate and the mounting hole. Place the mixer over the mounting hole.
- 4 : Fit Rubber Gasket over Threaded Tail and Screw on Black Locknut to secure the mixer.
- 5 : Connect Red-Marking hose to hot water supply and Blue-Marking hose to cold water supply.
- 6 : Turn on water supply and check for leaks.





IN0217 revA