

Posh Solus MK3 3 Function Wall Shower

Important Installation Considerations

- NOTE: Some showers may not provide an effective shower when used with gravity fed heated water systems or where pressures are less than 150kPa at the outlet. Additionally showers with flow rates of less than 9L/min may not allow the following to function correctly:
 - _ some instantaneous water heaters
 - _ some tempering valves
 - _ some thermostatic mixing valves
- Some shower heads only operate correctly when hot and cold water supplies are both mains pressure and may not be suitable for some instantaneous hot water services.
- When water pressure is in excess of 500kPa a pressure limiting device is required in accordance with AS/NZS 3500 1.12 recommendation

Operating Temperature:

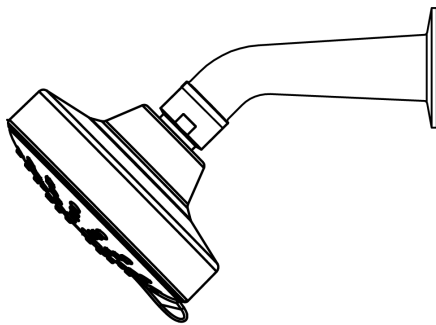
Hot: Max 80°C*
Cold: Min 5°C

Inlet Connections:

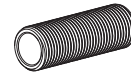
All ½" BSP

General:

- *It is recommended that this product is installed by a licensed plumber in compliance with all relevant regional regulations.
- After installation all connections must be checked for leaks.
- All outlets used primarily for personal hygiene shall deliver water at a safe temperature as per regional regulations.
- It is the responsibility of the installer to ensure a waterproof seal is achieved.



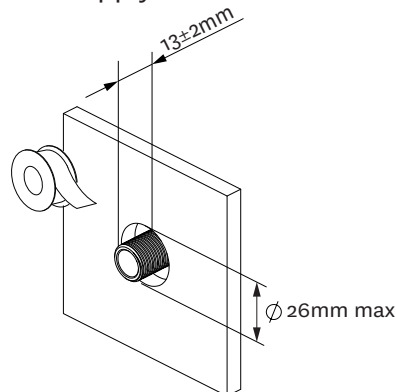
½" BSP Nipple
(Not Supplied)



IMPORTANT: Before you begin, turn off the water supply.

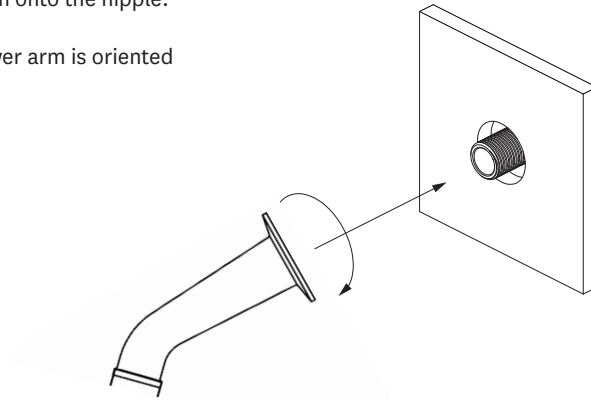
Step 1

- Wall lining hole should be cut or finished as per the dimension shown in the diagram on the right.
- Cut off the threaded nipple 13±2mm from the wall lining and apply thread seal tape to ensure a good seal.



Step 2

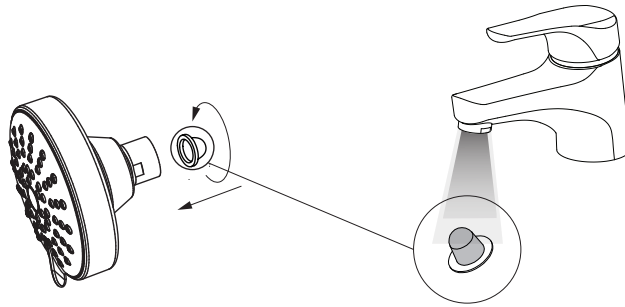
- Screw the shower arm onto the nipple.
- Ensure that the shower arm is oriented vertically.



Care and Cleaning:

Never use abrasives or abrasive cleaning agents to clean this product. Clean regularly with contamination free warm soapy water and a damp soft cloth.

Clean filter washer located in the swivel joint periodically.



If shower performance is compromised by the build-up of lime-scale, soak in limescale remover for up to 10 minutes. Do not use products containing chlorine bleach or hydrochloric acid as these can damage the shower. Always rinse the shower thoroughly after cleaning to remove cleaning products that can damage the shower.

Never insert objects into the spray nozzle or attempt to remove limescale with sharp objects or abrasives.