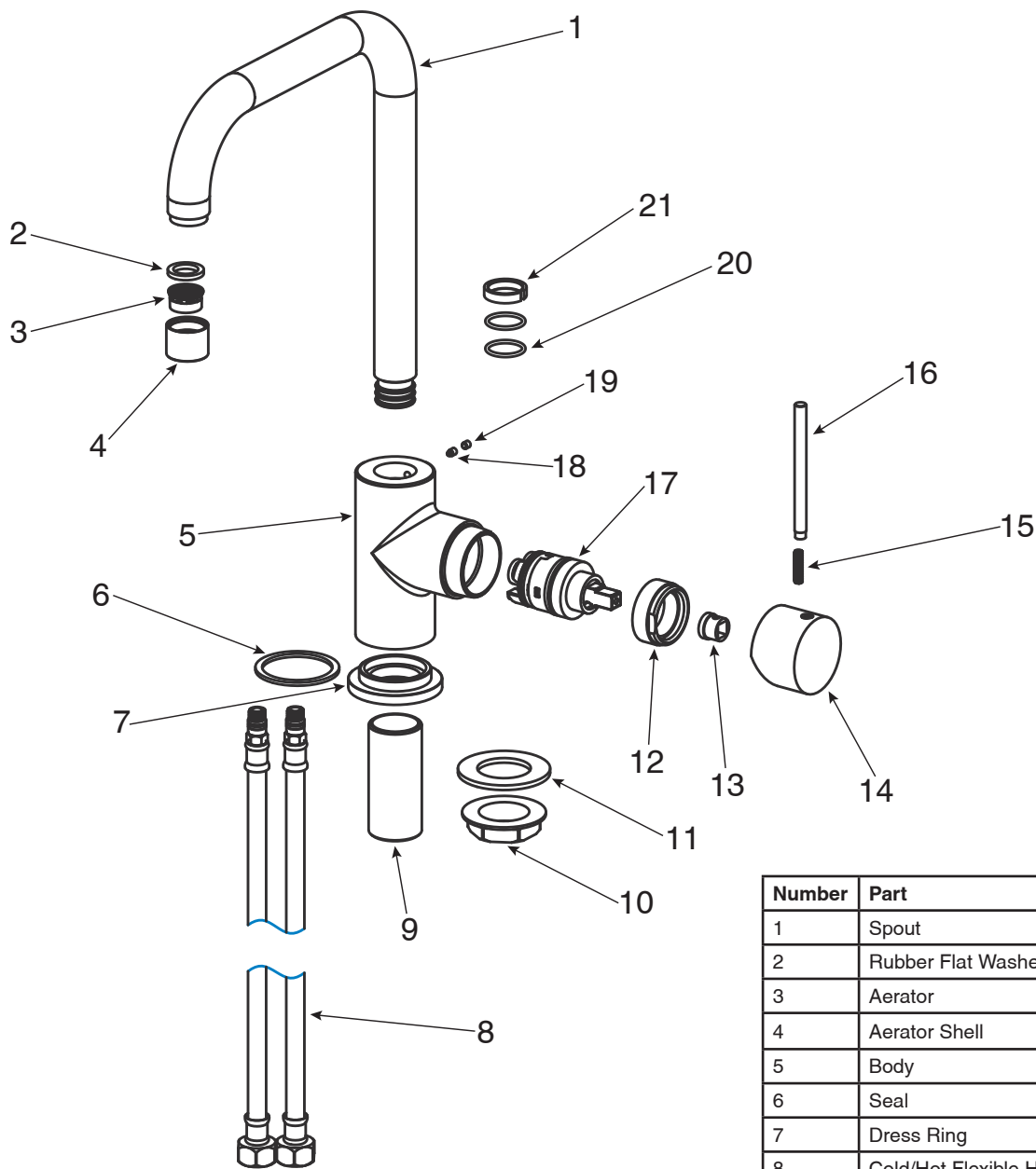


Milli

Milli Inox Sink Mixer (5*)



Number	Part
1	Spout
2	Rubber Flat Washer
3	Aerator
4	Aerator Shell
5	Body
6	Seal
7	Dress Ring
8	Cold/Hot Flexible Hoses
9	Threaded Sleeve
10	Retaining Nut
11	Rubber Flat Washer
12	Retaining Nut
13	Plastic Cover of Cartridge
14	Cap of Handle
15	Hex Socket Cap Screws
16	Handle
17	Cartridge
18	Inner Hexagon Screw
19	Inner Hexagon Screw
20	Rubber Sealing Ring
21	POM Clip