

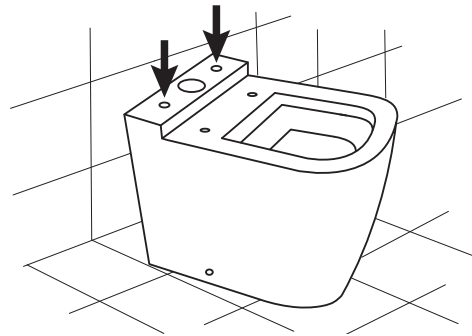
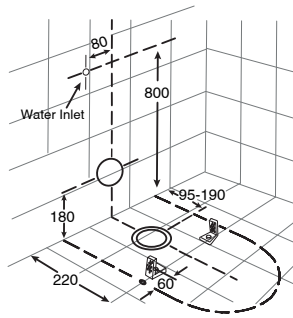


WOLFEN™

Wolfen Ambulant Close Coupled Back to Wall Rimless Toilet Suite with Single or Double Flap Seat (4 Star)

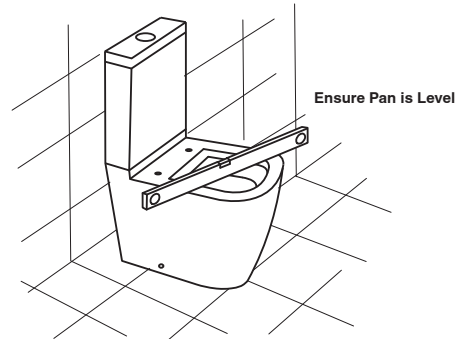
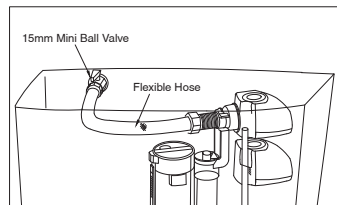
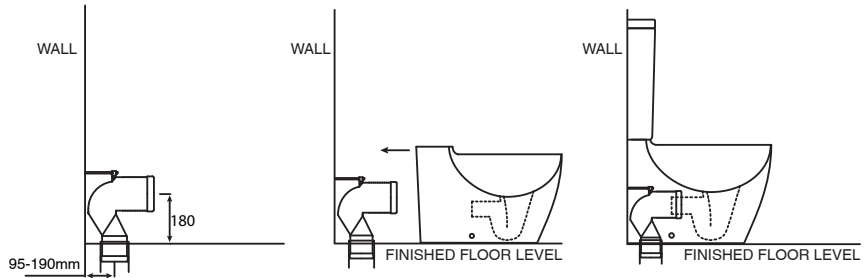
Set-Up

1. Rough in positions of water inlet, waste outlet and fixing bracket holes. Ensure inlet connection extends 40mm from finished wall. Prepare waste outlet according to required setout (95mm min - 190mm max) and drill floor fixing brackets into position (60mm inside traced mark of pan rim).
2. Insert top-fix plastic fixing nut and bolt into pan (supplied).



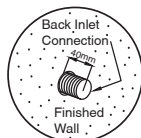
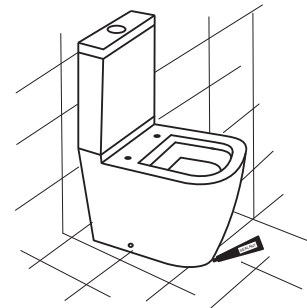
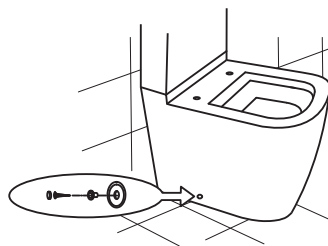
S-Trap Installation

1. Lubricate the rubber fins of the pan bend and position in the waste pipe at the required height. Fix the pan connector back to the wall using the rod and bracket.
2. Align and push pan back to wall, connect pan spigot into waste bend ensuring firm connection.
3. Fix cistern onto pan, bucket flush and check for leaks.



Water Inlet & Levelling Pan

1. Connect rear water inlet valve using 15mm mini cistern stop supplied. Fill the cistern and ensure correct water level. For adjustment refer separate inlet valve instructions,
2. Ensure that pan is level and that cisterns align with wall. Make minor adjustments if necessary.
3. Fix pan to floor using screws and caps provided
4. Silicone pan to floor. Remove excess sealant.



NOTE: Ensure back inlet connection extends 40mm from finished wall

Plumbers, please ensure a copy of the installation instructions is left with the end user for future reference

Published 20/04/2021

