



# AFA Cubeline 1 3/4 Inset Sink 1 Taphole Left Hand Bowl Quick-Fit Clips 1250mm Stainless Steel

## SPECIFICATIONS

Recommended Use	Domestic, Hotel & Commercial
Material	304 Grade Stainless Steel
Gauge	0.9mm
Sink Formation	Welded
Bowl Capacity	Large Bowl - 41 Litres Small Bowl - 18 Litres
Waste Type	Basket
Waste Size	90mm
Waste Position	Centre Rear
Taphole Configuration	1 Taphole
Overflow Configuration	No Overflow
Clipping System	Quick-Fit Clips

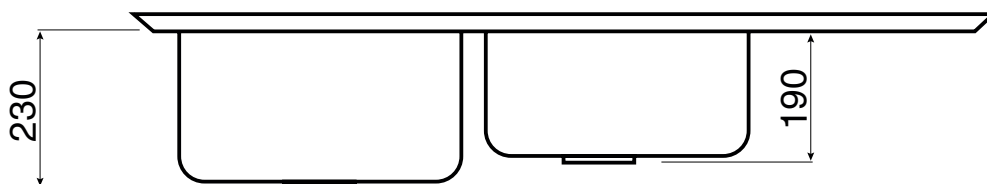
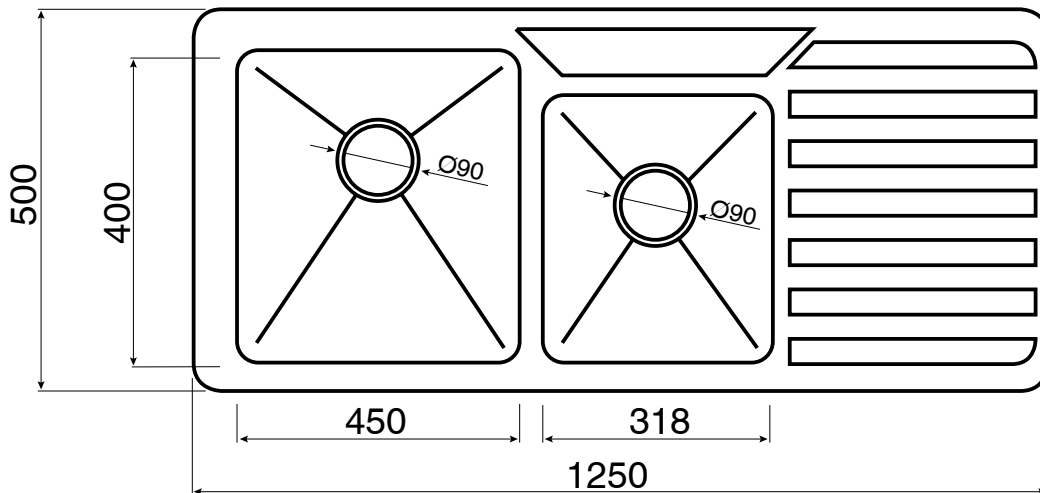
## WARRANTY

Warranty - Domestic Use	30 Years
Spare Parts & Labour	12 Months

Please refer to Warranty Page for full Terms and Conditions



Sinks must be installed using a cutout template. No responsibility will be taken for damage that occurs where a template has not been used.



Dimensions are nominal measurements only.

**Disclaimer:** Products in this specification manual must by regulation be installed by licensed and registered trade people. The manufacturer/distributor reserves the right to vary specifications or delete models from their range without prior notification. Dimensions are nominal measurements only. Dimensions and set-outs listed are correct at time of publication however the manufacturer/distributor takes no responsibility for printing errors.

Published 15/07/2019

To see the complete AFA range go to [www.reece.com.au/bathrooms](http://www.reece.com.au/bathrooms)

