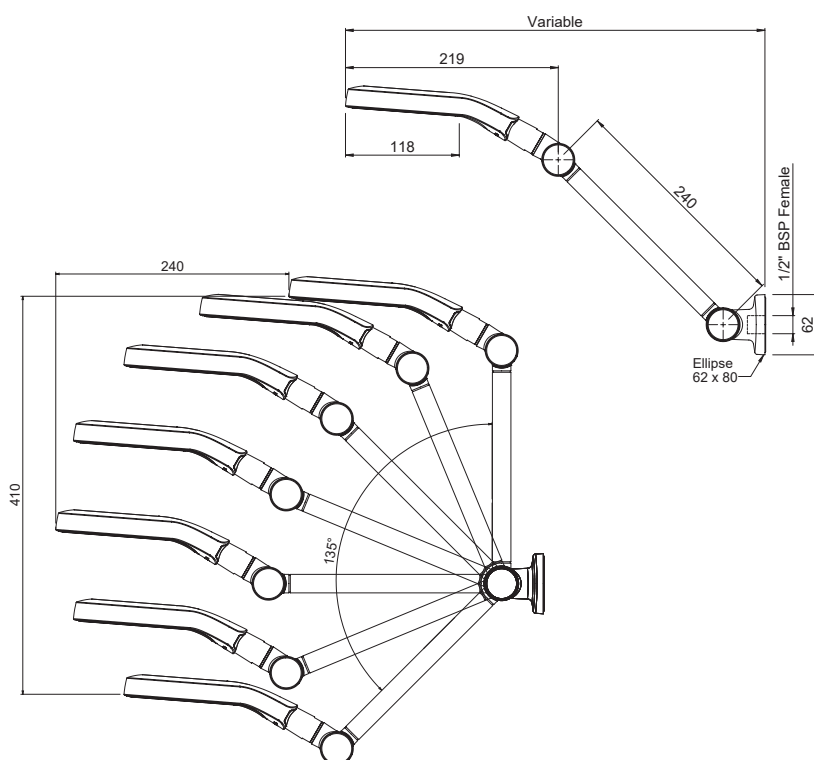


METHVEN

AURAJET AIO HI RISE SHOWER



AOHRCPAU



AOHRCPWHAU

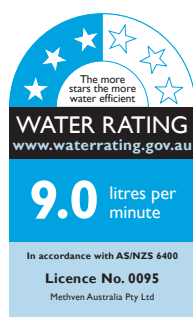
SPECIFICATIONS

Recommended Use	Domestic, hotel and commercial
Colour	Chrome with white face Chrome with satin chrome face
Pressure Rating	Suitable for high pressure applications and has been WELS certified to the following: Minimum operating pressure 150kPa Maximum operating pressure 500kPa
Temperature Rating	Maximum continuous working temperature 70°C (recommended 38°C - 42°C) Minimum 1°C
Suitable Hot Water Units	Storage Tank: Yes Continuous Flow: Yes Gravity Feed: Not recommended
WELS	Stars: 3 Flow rate: 9L/min
Standards	AS/NZS 3662
Spray Patterns	Aurajet Spray

To see the complete Aio range go to www.reece.com.au/bathrooms

CLEANING RECOMMENDATIONS

We recommend the use of soapy water or approved cleaners. This product should not be cleaned with abrasive materials. Damage caused by improper treatment is not covered by the product warranty – refer to warranty conditions.



Disclaimer: Products in this specification manual must by regulation be installed by licensed and registered trade people. The manufacturer/distributor reserves the right to vary specifications or delete models from their range without prior notification. Dimensions are nominal measurements only. Dimensions and set-outs listed are correct at time of publication however the manufacturer/distributor takes no responsibility for printing errors.

Tech Page Version 1

METHVEN

reece

METHVEN

AURAJET AIO HI RISE SHOWER

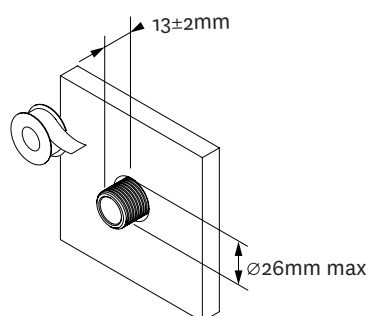
INSTALLATION INSTRUCTIONS

IMPORTANT: Please read all of the instructions before installation.

IMPORTANT: Before you begin, turn off the water supply.

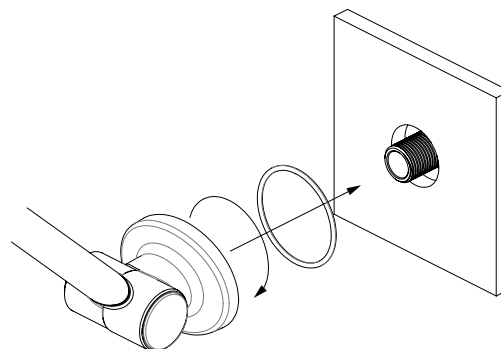
Step 1

- Wall lining hole should be cut or finished as per the dimension shown in the diagram below.
- Cut off the threaded nipple 13 ±2mm from the wall lining and apply thread seal tape to ensure a good seal.



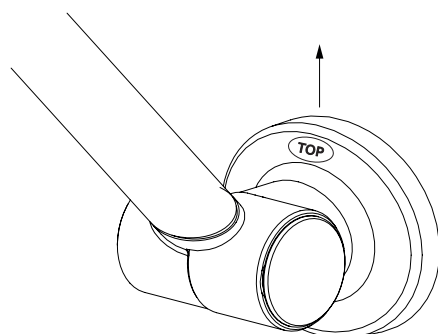
Step 2

- Screw the shower arm onto the nipple ensuring that the o-ring is sufficiently compressed to create a watertight seal



Step 3

- Ensure that the shower arm is oriented vertically with the 'Top' sticker on the shower arm oriented upwards.

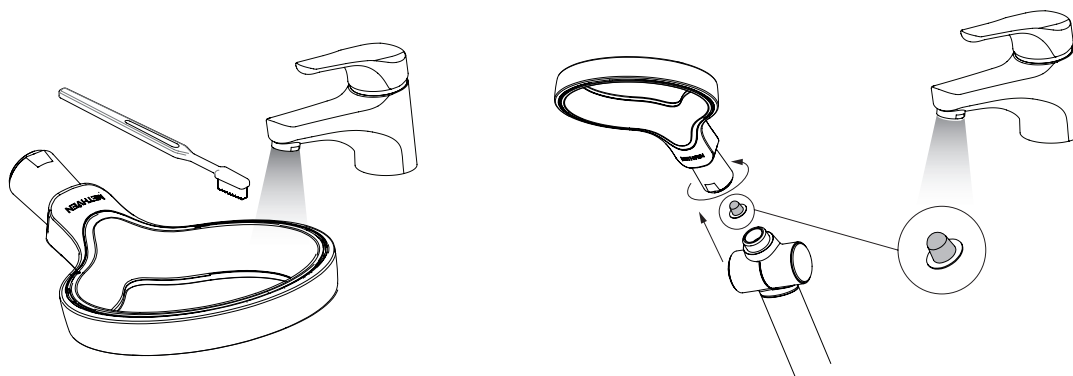


Care and Cleaning

We recommend the use of soapy water or approved cleaners. This product should not be cleaned with abrasive materials. Damage caused by improper treatment is not covered by the product warranty – refer to warranty conditions.

Clean filter washer located in the swivel joint periodically.

If shower performance is compromised by the build-up of lime-scale, clean by using a soft toothbrush and gently scrubbing along the spray slot under running water.



Plumbers, please ensure a copy of the installation instructions is left with the end user for future reference

METHVEN

reece™