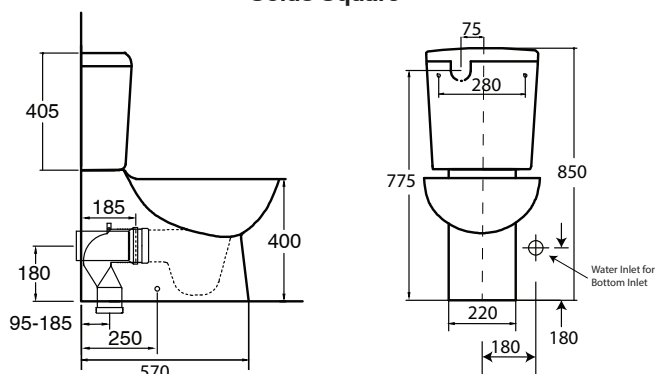


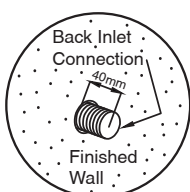
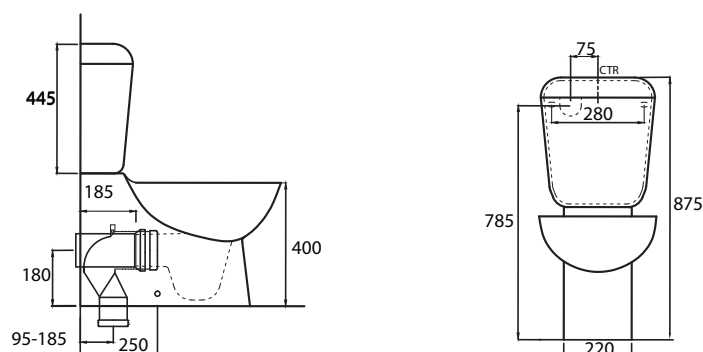
posh

Posh Solus Close Coupled Back to Wall Toilet Suite with Soft Close Quick Release Seat White (4*)

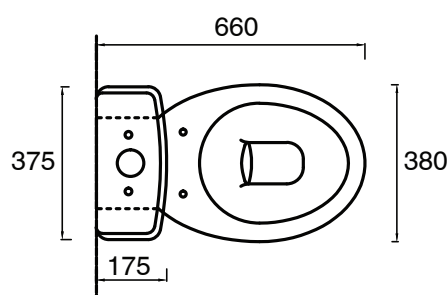
Solus Square



Solus Round



NOTE: Ensure back inlet connection extends 40mm from finished wall



Dimensions are nominal measurements only.

SPECIFICATIONS

Recommended use	Domestic, Hotel, and Commercial
Material	Vitreous China
Colour	White
Weight	Pan 27kg Solus Square Cistern 12.5kg Solus Round Cistern 14.5kg
Water Inlet	Solus Round - Back Inlet Only Solus Square - Back Inlet - Bottom Inlet (reversible right or left)
Inlet Valve	Recommended maximum working pressure 500kPa
Bowl configuration	P Trap converts to S Trap using conversion bend (supplied)
Rim configuration	Box Rim
Seat	Soft Close Quick Release Seat
Cistern fixing	Cistern bolts directly to the pan with top fixing bolts (supplied)
Pan fixing	Screwed to floor using fixing brackets (supplied) and bedded with sealant



Solus Square



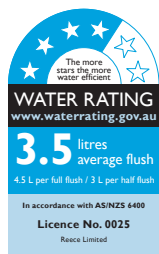
Solus Round

CLEANING RECOMMENDATIONS

We recommend the use of soapy water or approved cleaners.

This product should not be cleaned with abrasive materials.

Damage caused by any improper treatment is not covered by the product warranty. Refer to Warranty Conditions.



Disclaimer: Products in this specification manual must by regulation be installed by licensed and registered trade people. The manufacturer/distributor reserves the right to vary specifications or delete models from their range without prior notification. Dimensions are nominal measurements only. Dimensions and set-outs listed are correct at time of publication however the manufacturer/distributor takes no responsibility for printing errors.

Tech Page Version 1



posh

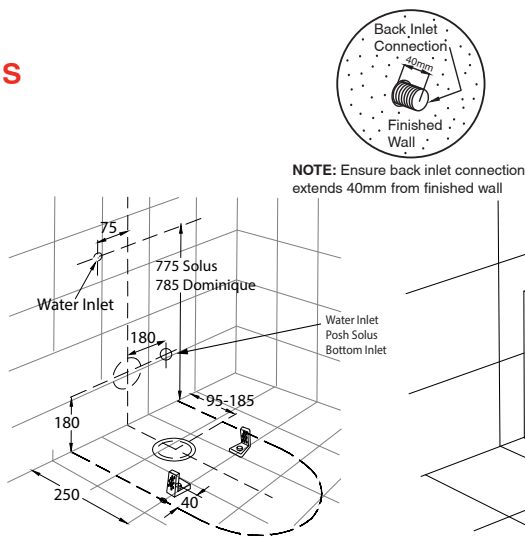
Close Coupled Back to Wall Toilet Suite with Soft Close Quick Release Seat White (4*)

INSTALLATION INSTRUCTIONS

Set-Up

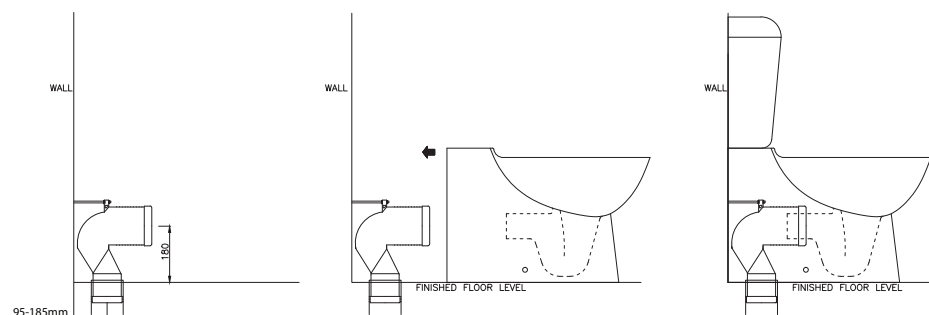
Note: Bottom inlet is located in the cistern overhang rather than the pan.

1. Rough in positions of water inlet, waste outlet and fixing bracket holes. Ensure inlet connection extends 40mm from finished wall. Prepare waste outlet according to required setout (95mm min - 185mm max) and drill floor fixing brackets into position (40mm inside traced mark of pan rim).
2. Insert top-fix plastic fixing nut and bolt into pan (supplied).



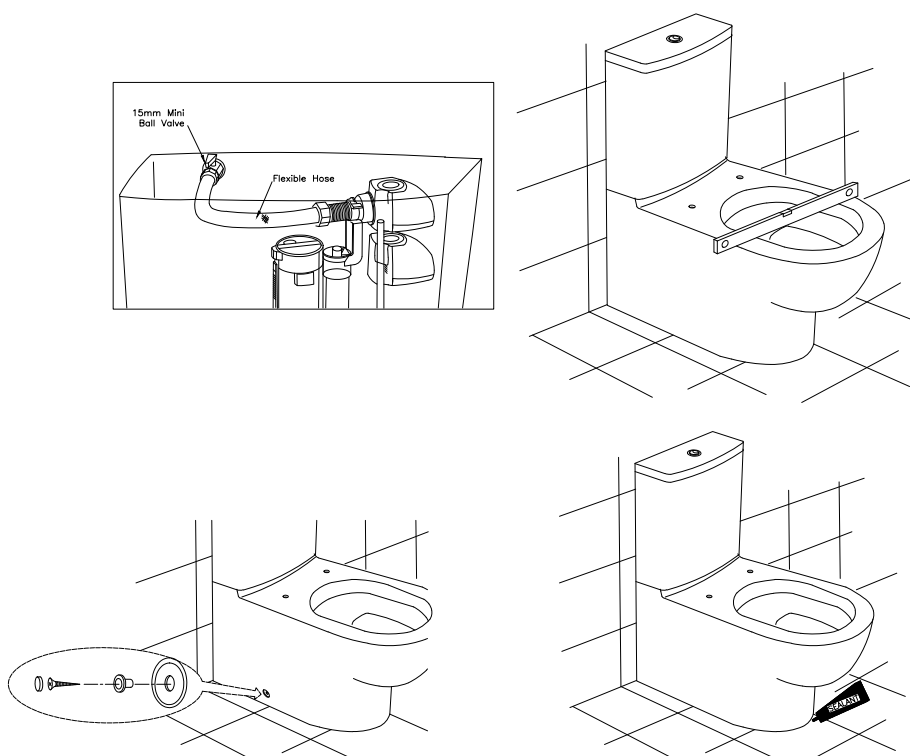
S-Trap Installation

1. Lubricate the rubber fins of the pan bend and position in the waste pipe at the required height. Fix the pan connector back to the wall using the rod and bracket.
2. Align and push pan back to wall, connect pan spigot into waste bend ensuring firm connection.
3. Fix cistern onto pan, bucket flush and check for leaks.



Water Inlet & Levelling Pan

1. Connect rear water inlet valve using 15mm mini cistern stop supplied. Fill the cistern and ensure correct water level. For adjustment refer separate inlet valve instructions.
2. Ensure that pan is level and that cisterns aligns with wall. Make minor adjustments if necessary.
3. Fix pan to floor using screws and caps provided.
4. Silicone pan to floor. Remove excess sealant.



Plumbers, please ensure a copy of the installation instructions is left with the end user for future reference

reece™