

# KADO ASPECT

## ✓ PRIOR TO INSTALLATION CHECKLIST



This product must be installed by a qualified tradesperson and we would expect the installation to be undertaken in a tradesperson like manner and finished to a tradesperson standard. This product carries a full warranty against faulty workmanship and materials.

**Please inspect thoroughly before installation to ensure that the product has not been damaged and is correct. No claims for damage or incorrect items will be recognised after installation.**



**IT IS THE RESPONSIBILITY OF THE INSTALLER TO MAKE ANY ADJUSTMENTS TO DOORS/DRAWERS AFTER INSTALLATION IF REQUIRED.**

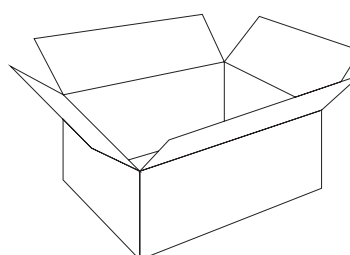
### 1 Check Products For Any Damages

Within 48 hours of receiving your goods, unpack your ADP product and check for any possible freight damages or incorrect items.

Please contact your place of purchase to report damages or missing parts.

**No claims for damages will be recognised after installation.**

Please note: fixing screws/bolts are not supplied for installation.



### 2 Positioning & Ventilation

Planning your bathroom furniture placement is critical.

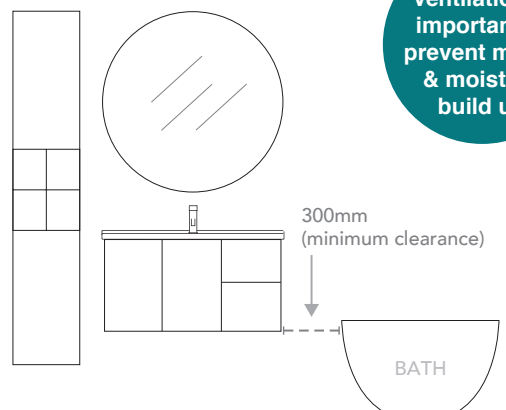
Furniture must be at least 300mm away from any wet areas. Materials used in the construction of our furniture units are moisture resistant, not water proof.

Do not expose furniture to shower spray.

It is important that your bathroom is adequately ventilated to eliminate moisture build up.

High humidity will lead to permanent dampness and mould resulting in a deterioration of the materials in your bathroom.

**Ventilation is important to prevent mould & moisture build up**

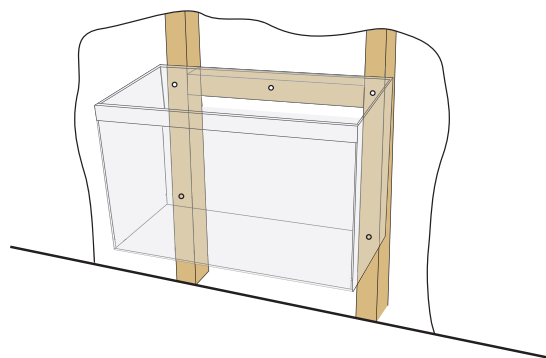


### 3 Check for Support Beams

Wall hung furniture & basins require fixing to a support beam fitted between the studs to give a solid wall backing to attach the vanity to.

If necessary, fix additional support noggins at desired height for cabinet and basin fixing prior to sheeting the wall.

Ensure total width of support noggin exceeds vanity width.



# KADO

## ASPECT

### 4 Check for Plumb Walls & Level Floors

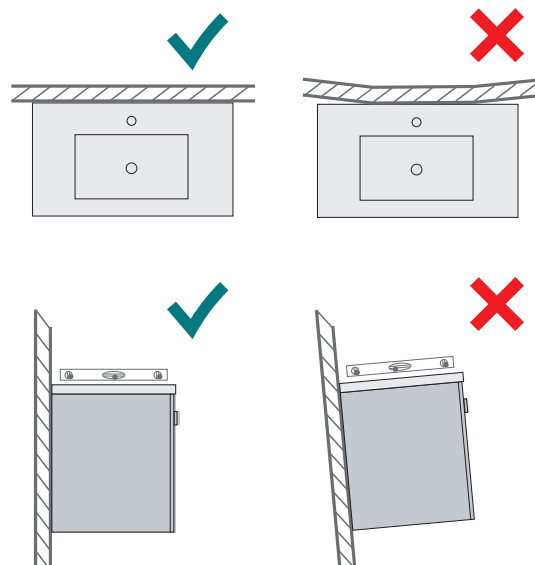
Ensure the wall is plumb and straight, ensure floor is level. If you fix the product to a non-plumb wall or floor the following could happen:

- Your door or drawers will not operate correctly.
- Door or drawers will not align.
- Basins will not sit level, which may cause water to pool or not drain properly.

If it is not possible to make the wall or floor plumb and straight you must pack the vanity out so that it does not follow the out of aligned wall.

Floor standing vanities must sit on a level floor or be packed so they sit level and true.

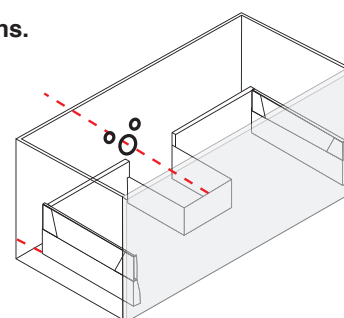
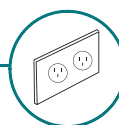
Please note if your vanity is fixed to a bowed wall, the fastening of the fixings will force your cabinet to twist and benchtop materials may crack due to increased stress on joins and materials.



### 5 Check Plumbing Positions Align with Product Interior Configurations.

Take note of clearances behind drawers when considering water supply fittings inside cabinet.

**Please note** if your product has any electrical fittings please allow for this and talk to your electrician

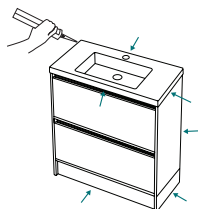


## ! IMPORTANT TIPS



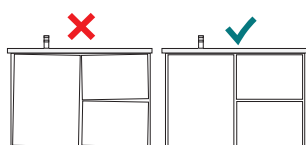
### ENSURE ALL TILES EXTEND BEHIND AND BENEATH THE BATHROOM FURNITURE.

ADP do not recommend tiling in furniture due to moisture and mould build up which can damage the material and void the warranty.



### ALL AREAS WHERE CABINET/TOP MEETS WALL AND/OR FLOOR MUST BE SEALED USING A NEUTRAL CURE SILICONE.

All edges where vanity top meets cabinet, wall or surrounding furniture must be sealed with a continuous bead of silicone.



### IT IS THE RESPONSIBILITY OF THE INSTALLER TO MAKE ANY ADJUSTMENTS TO DOORS/DRAWERS AFTER INSTALLATION IF REQUIRED.

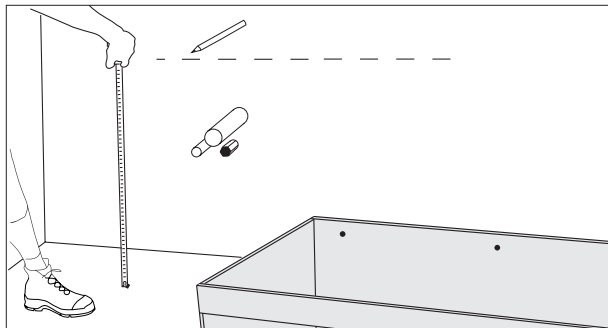
There may have been some movement in transportation and installation which causes doors/drawers to become unaligned.

# KADO ASPECT



## VANITY INSTALLATION

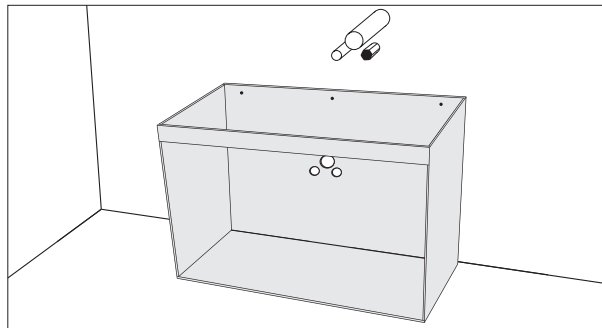
### 1. LOCATION



After completing the Prior to Installation Checklist, mark the position of the top of the vanity. Don't forget to factor in the top/basin thickness to get the correct height.

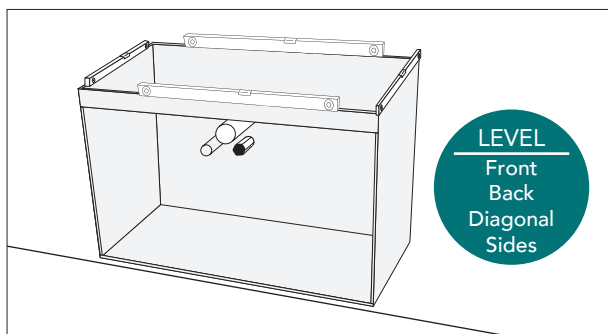
**Note:** Vanity must attach to a minimum of two support beams, mark these positions.

### 2. PREPARING THE CABINET



Remove doors and drawers. Measure correct plumbing locations and drill holes for plumbing in the back panel and/or base of the cabinet with an appropriate sized hole saw. Pre-drill screw locations for fastening to wall as per 'Step 4'.

### 3. LEVELING



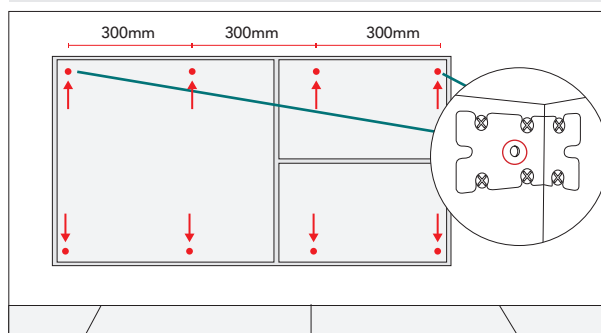
Position the vanity over the pipes in the correct position and fix with a single screw in centre of vanity to hold in place.

Check the vanity is completely level.

**Wall Hung vanities:** You may want use a level support/hoggin to assist while leveling.

**Floor Mount Vanities:** You may need to pack the vanity to ensure it is sitting level & square on the floor.

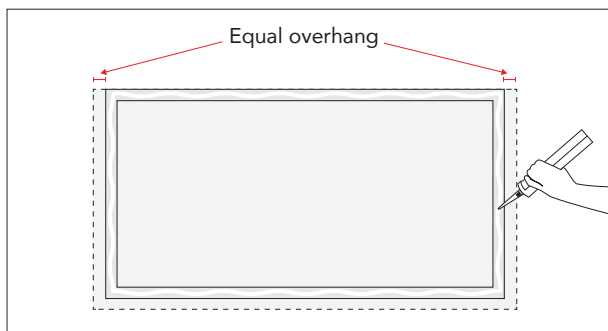
### 4. SECURING THE CABINET



Securely fasten the vanity to the wall through back of vanity with appropriate screws/bolts at TOP and BOTTOM of cabinet. Fix the cabinet through the top left and right hand brackets and evenly space apart the horizontal fixings at a maximum of 300mm apart. For the bottom start the fixing points no further than 100mm from each end of the cabinet and no higher than 50mm from the base panel.

**Note:** Where a stud or support beam cannot be located, use an appropriately sized hollow wall anchor. Vanity must attach to a minimum of two support beams. Ensure fixings clear all water/electrical services in wall.

### 5a. FIX TOP / BASIN

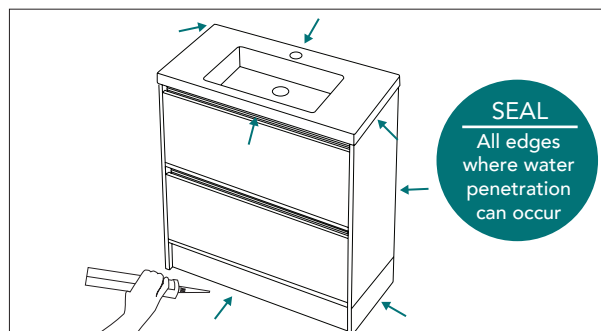


Using a non-acidic silicone, apply a continuous bead of silicone to the top four edges of the vanity and at the back where the top meets the wall. Position the top so it has equal overhang on each side, ensuring the top surface is level.

If using a separate basin, position in place and fully seal the basin to the top /cabinet using a continuous bead of silicone.

**Note:** Seal any visible gaps between the cabinet and the top and basin with continuous bead of silicone.

### 6. SEALING



Apply non-acidic silicone to all edges where vanity top and cabinet meet the wall and floor.

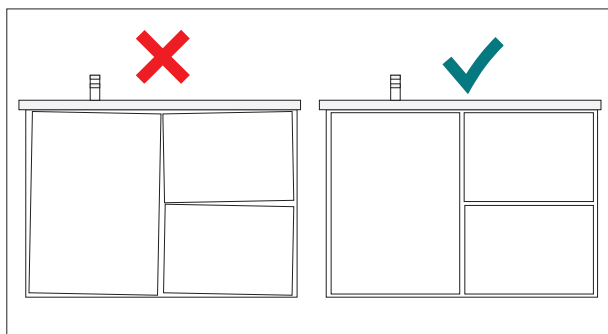
Materials used in the construction of this unit are water resistant NOT water proof, so all areas need to be sealed to prevent water penetration.

**Note:** Gap sealant can be used in place of silicone where the unit meets tiled surfaces.

Plumbers, please ensure a copy of the installation instructions is left with the end user for future reference

# KADO ASPECT

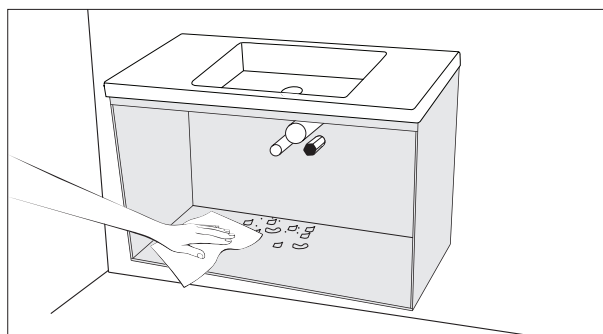
## 7. ADJUST DOORS & DRAWERS



Install drawers and doors back onto cabinet and make adjustments to align the doors and drawers correctly.

**NOTE: IT IS THE RESPONSIBILITY OF THE INSTALLER TO MAKE ANY ADJUSTMENTS TO DOORS AFTER INSTALLATION.**

## 8. CLEANING

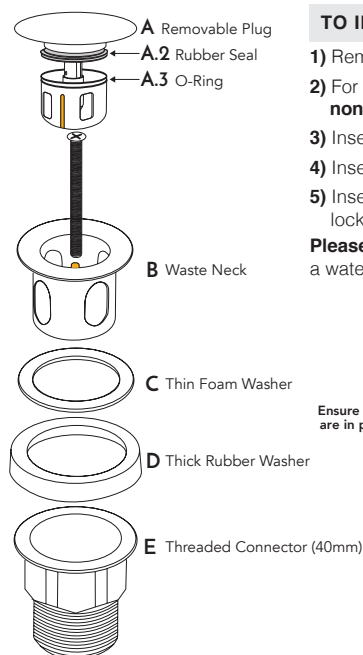


Clean all building residue from the cabinet. Dry any spillage or leakage of water on or inside the cabinet during installation.

**Note:** Ensure drawer runners are free of any debris as this may effect the operation.

## UNIVERSAL PLUG & WASTE INSTALLATION

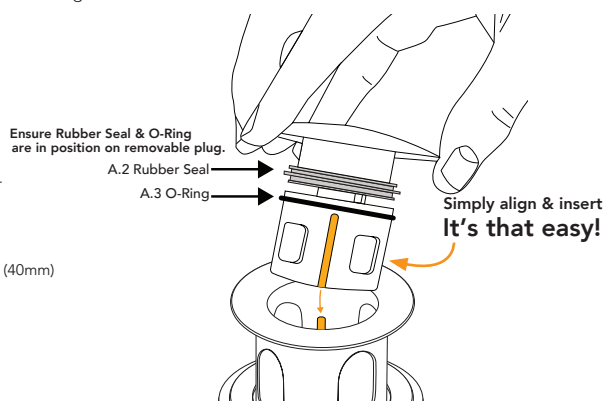
**Note:** All plumbing components must be installed by a licensed plumber.



### TO INSTALL

- 1) Remove washers and removable plug (A) & check waste fits in hole.
- 2) For ceramic basins - Place thin foam washer (C) in position under rim of Waste Neck (B) & seal in place with a **non-acidic silicone**. For all other basin material types, you do not need foam washer (C) before sealing in place.
- 3) Insert into centre of waste hole.
- 4) Insert Rubber Washer (D) on top of section (E) and screw on (**hand tight only**).
- 5) Insert Removable Plug (A) into the Waste Neck (B), ensuring you align the grooves until the waste is seated & locked into place.

**Please Note:** Ensure Rubber Seal (A.2) and O-Ring (A.3) are installed on Removable Plug (A) in order to provide a watertight seal.



### IMPORTANT

Avoid overtightening waste to prevent stress & damage to the basin or top  
**HAND TIGHTEN ONLY**

Must be sealed with  
**NON-ACIDIC  
silicone sealant**

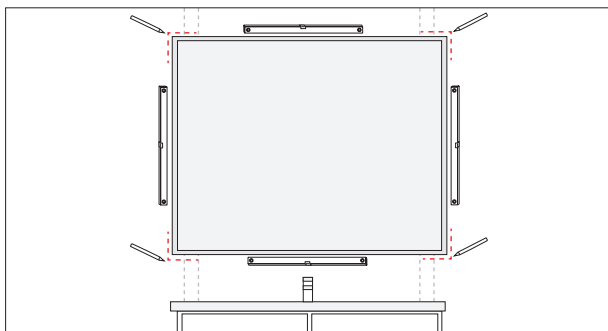
# KADO

## ASPECT

### MIRRORED SHAVING CABINET INSTALLATION

**Note:** If you are installing a light or powerpoint with your mirrored shaving cabinet make sure you consult with your electrician before installing.

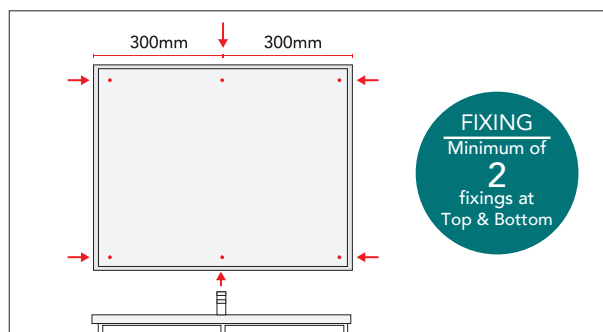
#### 1. POSITION CABINET & LEVEL



1. Place cabinet on flat surface to remove mirrored doors. Remove doors and place flat on soft surface with mirrors facing up to avoid damages.
2. Locate support beams and position unit in desired location and check all sides are sitting level.
3. Mark the position of the cabinet on all four corners of cabinet

**Note:** Damage during installation is not covered under ADP warranty.

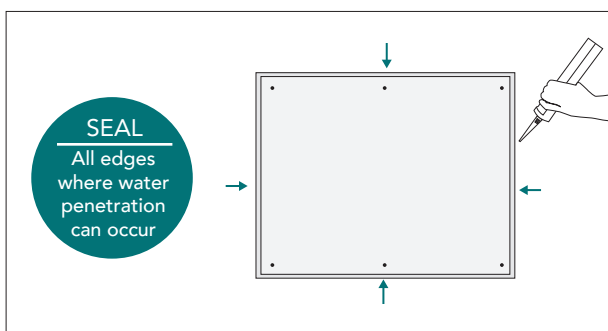
#### 2. SECURING THE CABINET



Securely fasten cabinet to the wall through back with appropriate screws/bolts at TOP and BOTTOM of cabinet. Evenly space apart the horizontal fixings at a maximum of 300mm apart.

**Note:** Where a stud or support beam cannot be located, use an appropriately sized hollow wall anchor.

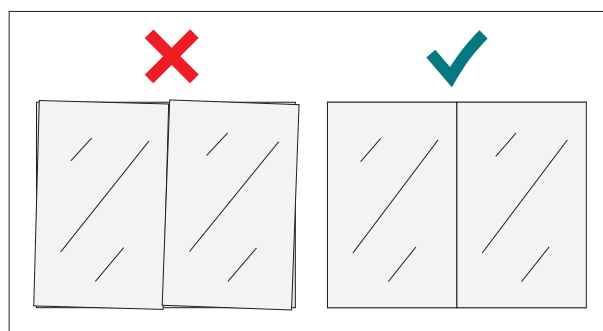
#### 3. SEALING



Apply non-acidic silicone to all edges where cabinet meets the wall.

**Note:** Gap sealant can be used in place of silicone where the unit meets tiled surfaces.

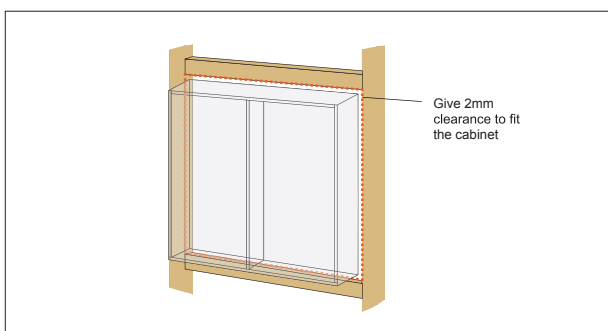
#### 4. ADJUST DOORS



Install doors back onto cabinet and make adjustments to align the doors correctly. See pages 13 for instructions.

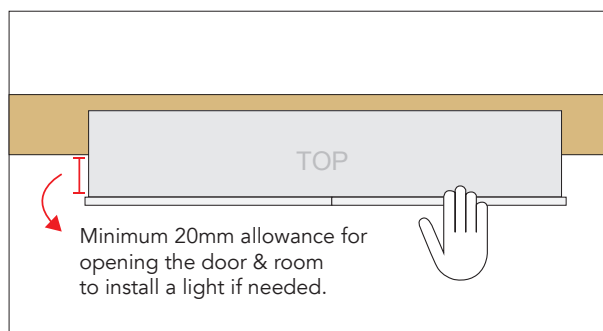
**NOTE: IT IS THE RESPONSIBILITY OF THE INSTALLER TO MAKE ANY ADJUSTMENTS TO DOORS AFTER INSTALLATION.**

#### OPTION: WHEN RECESSING A MIRRORED SHAVING CABINET



Complete Step 1, cut a hole 4mm bigger than the overall cabinet carcass in the wall. Position and secure cabinet in cut out, go to Step 2.

**Note:** Make sure the hole has sufficient noggings to fix top and bottom of carcass.



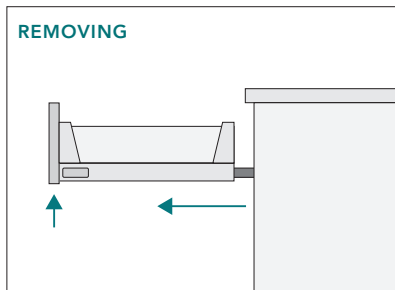
Ensure the cabinet carcass protrudes by a minimum of 20mm from the wall (including tiles) to allow for finger pull on the door.

# KADO ASPECT

## PREMIUM LED FROSTED GLASS DRAWERS

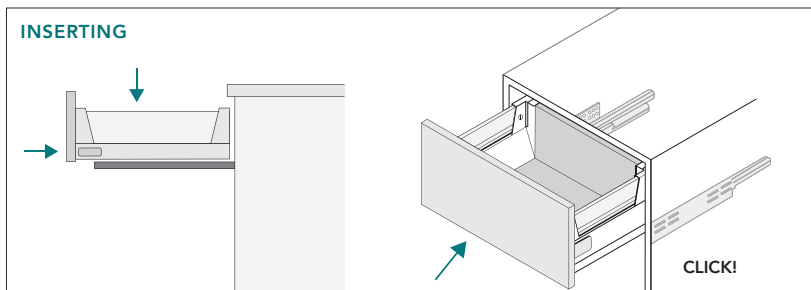
### REMOVING & INSERTING DRAWER

#### REMOVING



Pull drawer all the way out then lift the front up, a little force is needed to release the drawer from the runner.

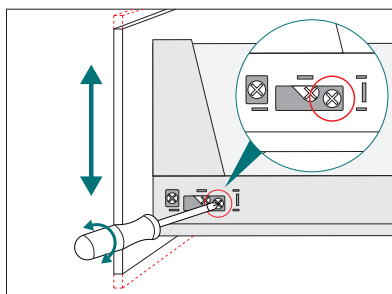
#### INSERTING



Extend drawer runners out and place drawer on runners and push closed until it is about 2cm out from the vanity. Apply a little extra force on the drawer front (near the bottom of drawer) to push closed.

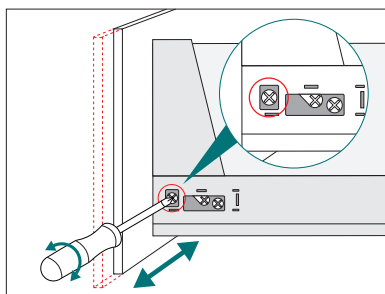
and connect runners in place. The drawer should then be automatically connected to the runner by the two catches. Listen for a click!

### DRAWER HEIGHT ADJUSTMENT



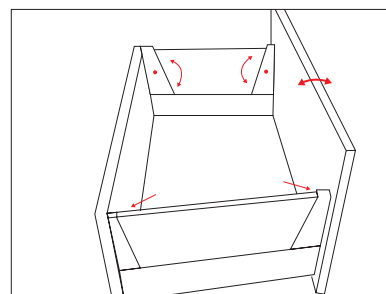
Remove ADP cap to access screws. Turn the back screw to adjust the height of the drawer front. Turn clockwise to go up and anti-clockwise to go down.

### LATERAL ADJUSTMENT



To move drawer front to the right, turn right screw clockwise and left screw anti-clockwise. Turn the opposite way to move to the left.

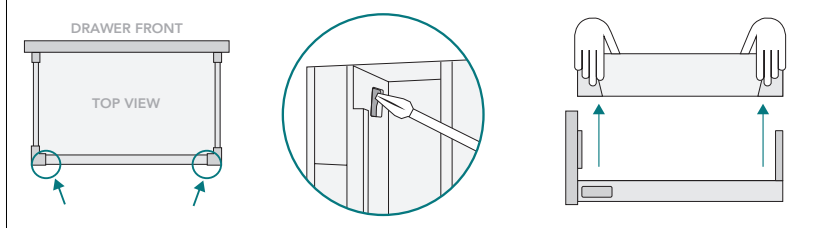
### TILT ADJUSTMENT



To tilt drawer front, turn adjustment screws on inside of drawer at the front and back, on both sides.

### DRAWER FRONT REMOVAL AND INSTALLATION

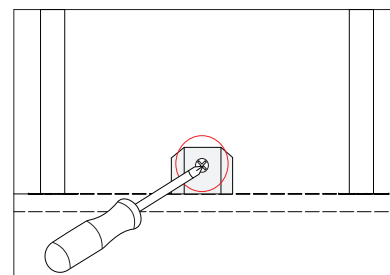
First you will need to remove the Solid or LED drawer side:



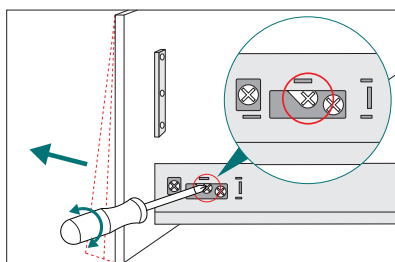
Identify plastic lugs - lugs are at the back of the drawer on each side at the top.

With a screw driver push into the lug to release the side and start pulling up.

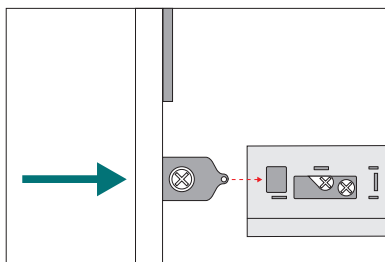
Pull the drawer side up and off with both hands, sliding off the fixing brackets. Repeat on both sides.



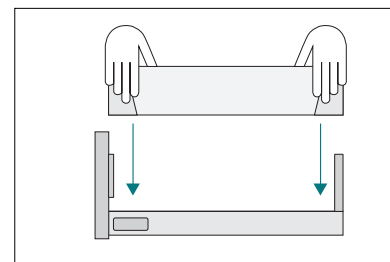
Depending on width of drawer you may need to unscrew and remove middle bracket on the under side of the drawer.



**To remove drawer front:** Turn centre screw and pull drawer front forwards. Repeat on other side.



**To replace drawer front:** Align front panel with drawer sides, apply some pressure at the bottom on both sides and push in to secure.

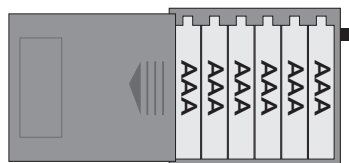


Slide the drawer sides down onto the fixing brackets until the lug secures side in place. Repeat on both sides.

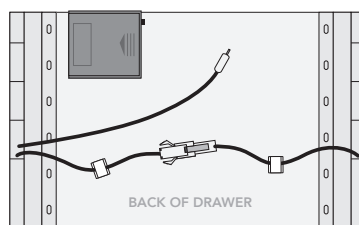
# KADO ASPECT

## BATTERY PACK INSTALLATION

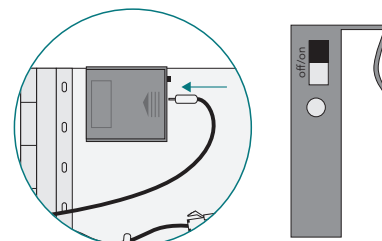
### BATTERY PACK INSTRUCTIONS FOR LED FROSTED GLASS DRAWERS AND DELUXE LED CLEAR GLASS DRAWERS



6 x AAA batteries are required for the battery pack. Slide the cover plate off, insert batteries and slide cover plate back on.



On the back of the drawer attach the supplied battery pack on the top left hand side over the back panel.

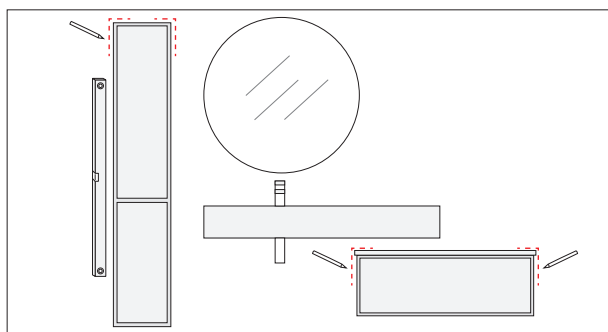


Plug the cord into the side port of the battery pack. Turn the switch to the 'ON' position. The LED lights in the drawer sides should switch on.

## TALLBOY & ENSEMBLE INSTALLATION

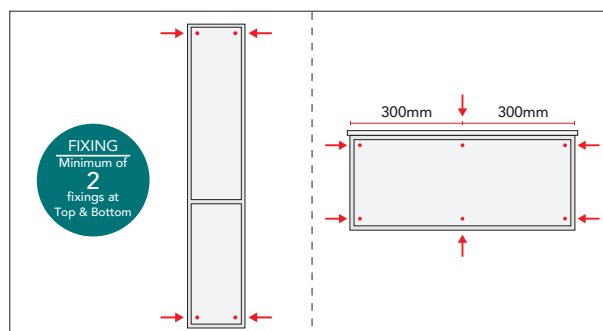
**Note:** If the cabinet has easy link brackets please follow the Easy Link Bracket Installation Instructions at bottom of page.

### 1. POSITION CABINET & LEVEL



1. Remove all doors and drawers.
2. Position unit in desired location and check all sides are sitting level.
3. Mark the position of the top of the cabinet.

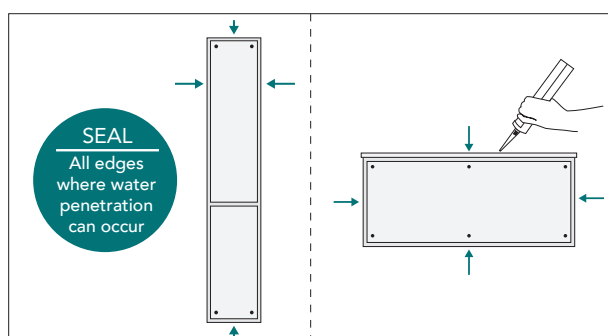
### 2. SECURING THE CABINET



Securely fasten cabinet to the wall through back with appropriate screws/bolts at TOP and BOTTOM of cabinet. Evenly space apart the horizontal fixings at a maximum of 300mm apart.

**Note:** Where a stud or support beam cannot be located, use an appropriately sized hollow wall anchor.

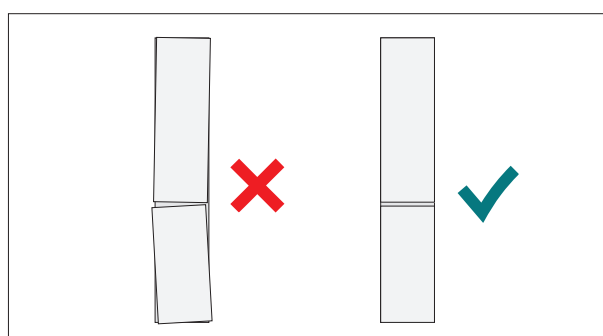
### 3. SEALING



Apply non-acidic silicone to all edges where cabinet meets the wall and floor.

**Note:** Gap sealant can be used in place of silicone where the unit meets tiled surfaces.

### 4. ADJUST DOORS & DRAWERS



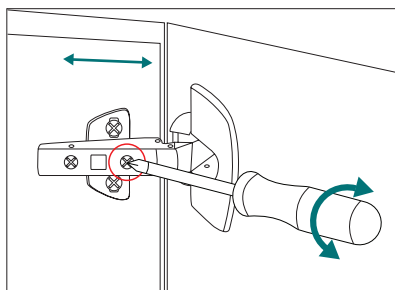
Install drawers and doors back onto cabinet and make adjustments to align the doors and drawers correctly.

# KADO ASPECT



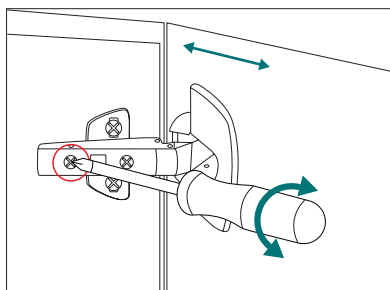
## DOOR HINGE ALIGNMENT

### SIDE ADJUSTMENT



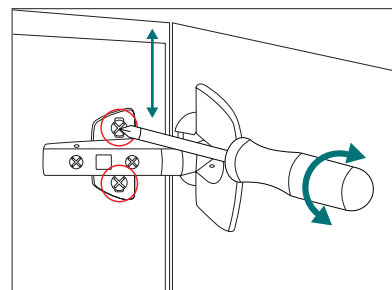
Use front screw to move door to the left or right, or to level each door.

### DEPTH ADJUSTMENT



Use back screw to move door inward or outward from carcass.

### HEIGHT ADJUSTMENT

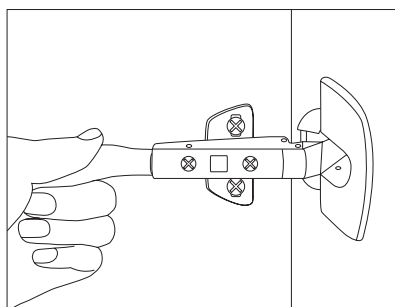


Loosen the top and bottom screw on mount plate, adjust door height by moving door up or down, then retighten screws.



## DOOR HINGE INSTALLATION

### REMOVING & INSTALLING DOORS



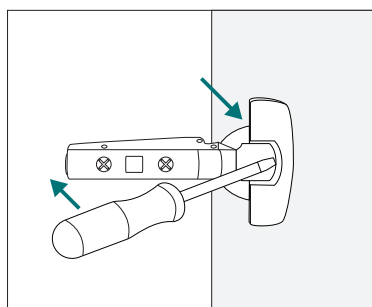
#### TO REMOVE DOORS:

Apply finger pressure to clip at back of hinge and pull forward to release.

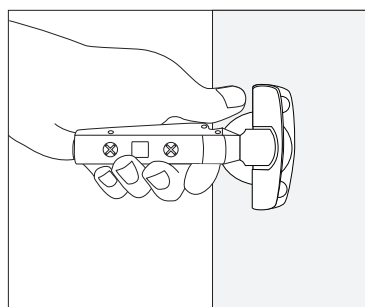
#### TO INSTALL DOORS:

Align door hinge with hinge mount on carcass, press back of hinge into place and listen for a 'click' to lock the hinge in place. You may need to apply a little force to lock the hinge in place.

### REMOVING HINGE FROM DOOR

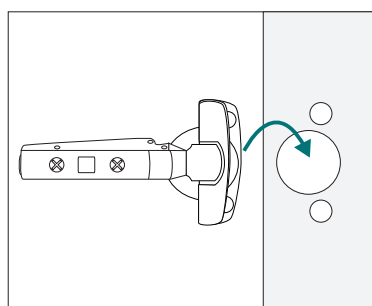


Once you have removed door from the cabinet, using a flat head screw driver, lift and release the top cover plate.

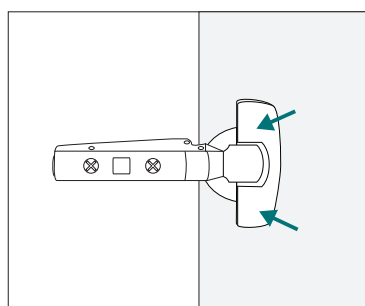


Pull hinge up and out from door. You may need to wiggle the hinge to loosen and use a little force.

### REPLACING HINGE ON DOOR



With top cover plate lifted, place hinge into position on door and insert into holes until flush.



Once secured in position, click cover plate down to lock into place.



# KADO

## ASPECT



### CARE & MAINTENANCE

If you cannot identify basin, top or cabinet material of your product, contact your merchant or see product information at [www.adpaustralia.com.au](http://www.adpaustralia.com.au).

#### TIPS

- ADP products are produced from materials that are well suited to the bathroom, however it is important that your bathroom has sufficient ventilation to avoid excessive moisture. High humidity will lead to permanent dampness and mould, resulting in deterioration of the materials.
- Care must always be taken to dry any excessive moisture or water spillage.

#### CABINETS

- To maintain the finish on your cabinet use only a soft cloth and weak solution of non abrasive detergent.
- To remove scratches, marks, etc. on two pack polyurethane, rub gently with car cutting compound, car polish or household brass/silver cleaner.
- Goods used in construction are water/moisture-resistant, but not water-proof.
- All cabinets should be installed at least 300mm away from showers or bathtubs to avoid water damage.

#### SOLID SURFACE

- Wipe clean with a soft damp cloth or sponge.
- For basic stains clean with mild detergents. For **gloss and semi-gloss** surfaces you can use a non abrasive polish or Brasso. For **matte** surface use a scourer pad or scotch bright to maintain the matte finish.
- Solid Surface benchtops have excellent heat and chemical resistant properties compared to other surfacing products, however to preserve the surface and protect against damage from heat, do not place hot items directly on the surface. Even though Solid Surface can withstand high temperatures, prolonged periods or extreme heat can cause permanent damage.

#### MIRRORS

**FOR BEST RESULTS** - use a slightly moistened microfibre cloth to remove dry dirt or grime, then buff clean with dry microfibre cloth or use a soft dry cloth with a tight weave (which is more soft and non-abrasive). This will leave you with a clean, smear-free finish. By using alkaline (ammonia) or acid (vinegar) based products you not only risk damaging the silvered backing of the mirror, but also tend to leave behind streaks and smears.

**DO NOT** use ammonia-based cleaning products such as glass cleaner. These may erode the mirror's silver backing. Be sure to read the label of any such cleaning products before use.

**PROTECTION AGAINST 'BLACK-SPOTTING'** - Alkaline, acid and moisture elements can cause the silvered backing of a mirror to darken, this is usually referred to as 'black-spotting'. An easy way to protect your mirror against black-spotting is to regularly oil any exposed edges (i.e. polished or bevelled edges), using non-petroleum based oils (eg. sewing machine oil). This will act as a seal to protect against such elements. Always remember to keep your mirror dry and wipe off any water, moisture or steam.