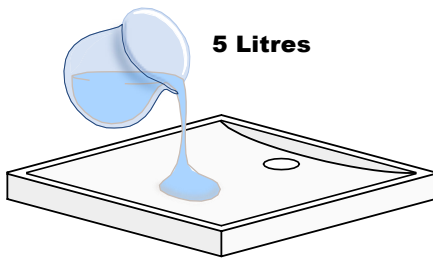


POLYMARBLE SHOWERBASE INSTALLATION GUIDE

**Please read instructions carefully before installing;
failure to follow instructions voids warranty.**

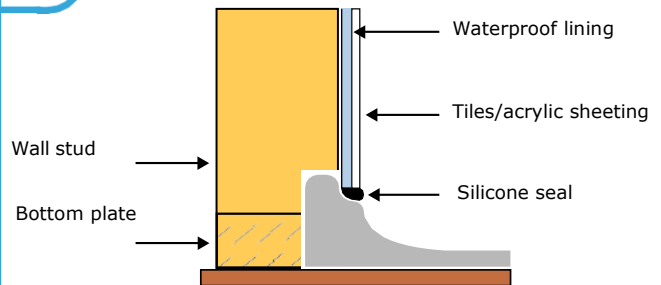
Check for any chips or damage that may have been caused during transport. It is the responsibility of the installer of the shower tray to adhere to local building codes in relation to waterproofing and installation.

1 Water test base



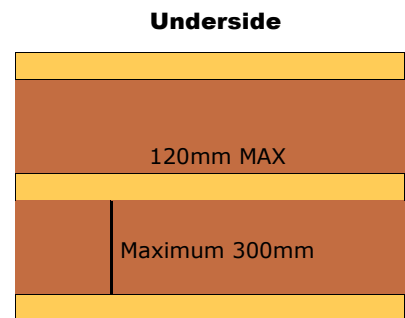
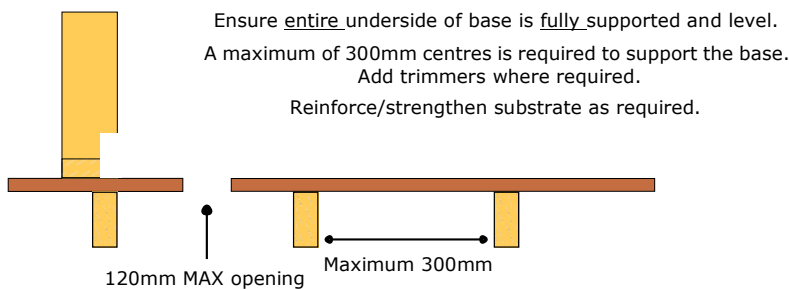
Put base on a level surface and water test with 5 litres of water to ensure it drains correctly. If this is not possible, a small spherical object placed in each corner will suffice.

2 Prepare the wall studs



These bases are designed to be installed in a stud wall. Make sure there is clearance between the base's tile lip and the wall stud to allow for any movement.

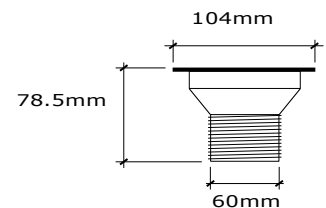
3 For installation on timber/steel substrate



4 Waste connection - to be completed only by licensed plumber

NOTE: Waste is only loosely screwed into base by Showerline - waste must be removed prior to installation of base.

Appropriate silicone sealant must be used when re-attaching waste after base has been installed.

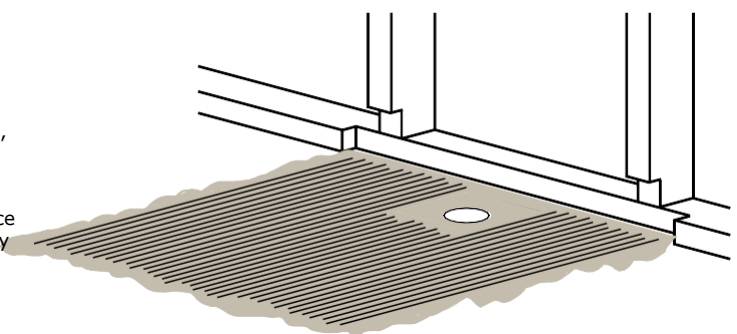


5a Lay/level base

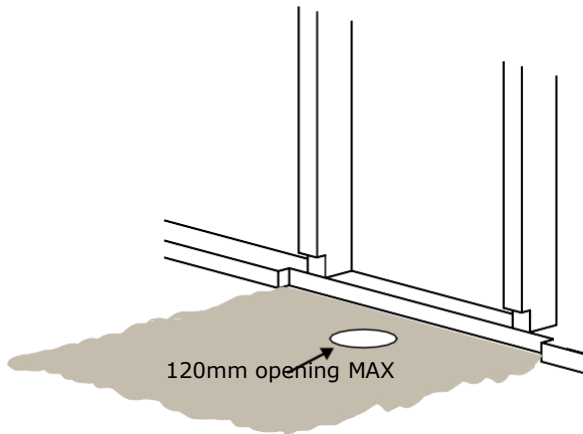
If substrate is level:

- ◆ Spread a minimum 10mm of tile adhesive over entire area, slightly wider than where base is to sit. This is to ensure entire base is bedded adequately.
- ◆ Screed/rake adhesive using a 10mm tile comb. Gently place base onto adhesive with outside edge of base resting firmly against stud frame.

If substrate is not level, see next step.



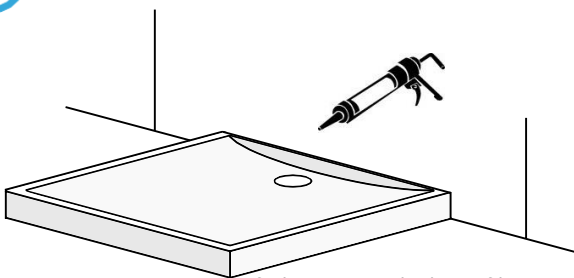
If substrate is not level



Mortar bed must be used on uneven surface

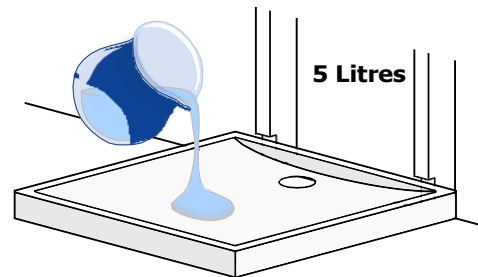
- ◆ Spread 10mm thick mortar mix (4:1 washed sand/cement) over entire area where base is to be installed. Do not use silicone or liquid nails to install base on uneven surface.
- ◆ Ensure the base is completely supported, level, then repeat water test (adjust on mortar accordingly until correct drainage is achieved).

7 Seal the base



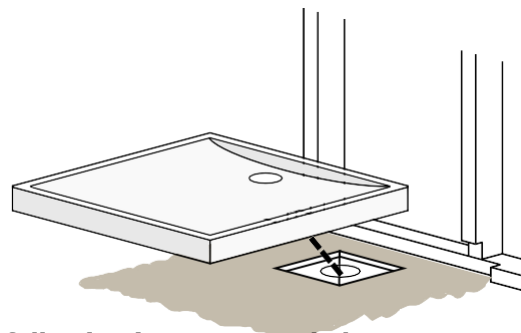
- ◆ Use appropriate amount of silicone to seal edges of base.
- ◆ Protect surface (with cardboard overlay) until ready to use. Showerline will take no responsibility for surface damage that occurs during/after installation.

6 Water test after install



- ◆ Use a spirit level to confirm that the base is installed level.
- ◆ The base must be completely supported by the adhesive/mortar.
- ◆ Finally, check to see that the base drains (adjust appropriately until this is achieved).

When using a smart pan



The following is recommended:

- ◆ Leave the lid in-situ.
- ◆ Place base over lid - use marker to trace outlet onto lid. Use hole saw to cut 55mm hole into lid.
- ◆ To prevent mortar falling into the pan, insert an appropriately-sized length of PVC pipe that can be removed once the mortar sets.
- ◆ Spread 10mm thick mortar mix (4:1 washed sand/cement) over entire area where base is to be installed.
- ◆ The base must be completely supported and level.
- ◆ Repeat water test (adjust on mortar until correct drainage is achieved).

Care and maintenance

DO NOT USE - Automatic dishwashing detergent, abrasives, bleaches, acid based chemicals or ammonia. Wash surface with mild detergent. These rules also apply to our chrome plated plastic outlets.

For optimal results, use a cleaner recommended for fibreglass composites.