

ACQUA WALL HUNG VANITY SINGLE HEIGHT



To see the complete Rifco range go to
www.reece.com.au/bathroom

SPECIFICATIONS

Recommended Use	Domestic, Commercial and Hotel
Materials	Cabinetry - Moisture Resistant Melamine Board
Benchtop Colours	Timber: American Walnut, Blackbutt, Blackwood, Jarrah, Recycled Brown, Tasmanian Oak, White Oak Limewash, Caesarstone: Fresh Concrete, Jet Black, Shitake, Raw Concrete, Snow, White Shimmer Solid Surface: Arctic White, Concrete Quartz, Sea Salt, Smooth Concrete, Zucchero
Cabinet Finish	White Gloss/Satin Spray, Polytec Melamine Board Options
Fixing	Bolted to wall by Licensed Tradesperson
Options available	Single or Double Height Wall Hung or Double Height with Kick
Basin Options	Sold Separately

STANDARD SIZES

Width (mm)	600	750	900	1200	1500	1800
Depth (mm)	460	460	460	460	460	460
Height (mm)	330	330	330	330	330	330
Drawers	1	1	1	1	2	2
Basin options	1	1	1	1	1 - 2	1 - 2

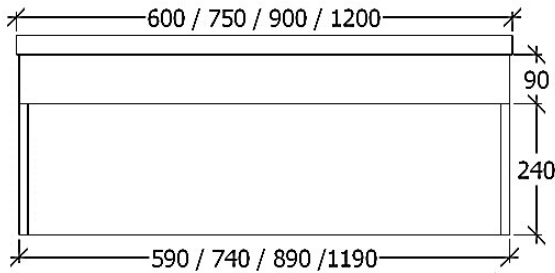
Disclaimer: Products in this specification manual must by regulation be installed by licensed and registered tradespeople. The manufacturer/distributor reserves the right to vary specifications or delete models from their range without prior notification. Dimensions are nominal measurements only. Dimensions and setouts listed are correct at time of publication however the manufacturer/distributor takes no responsibility for printing errors.

Tech Page Version 2

ACQUA WALL HUNG VANITY SINGLE HEIGHT

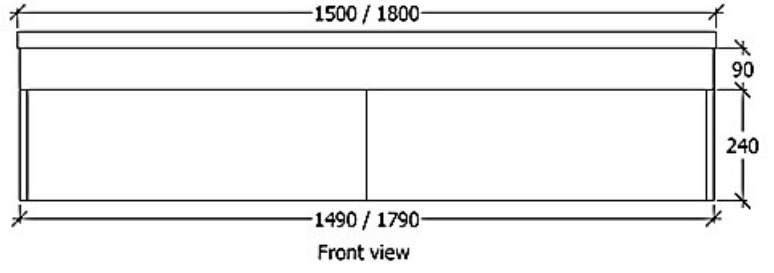
SINGLE HEIGHT

600 – 1200 WIDTH – FRONT VIEW



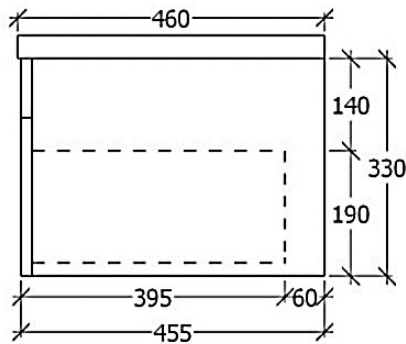
Front view

1500 – 1800 WIDTH – FRONT VIEW



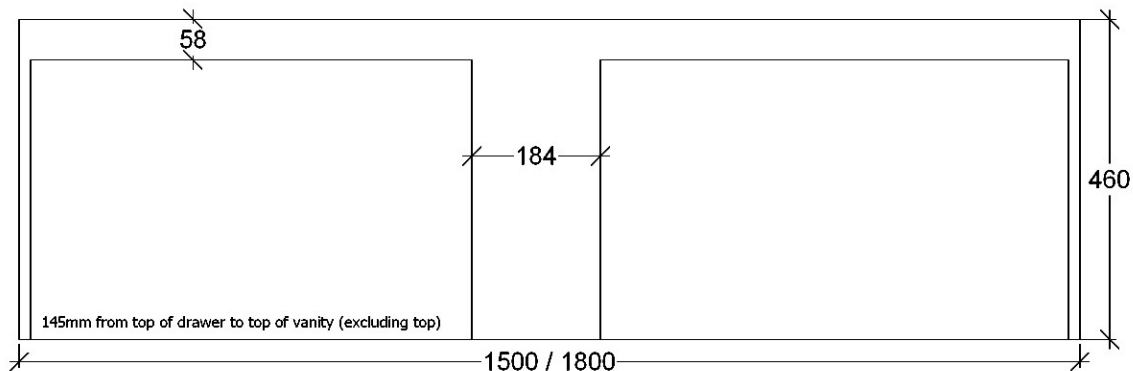
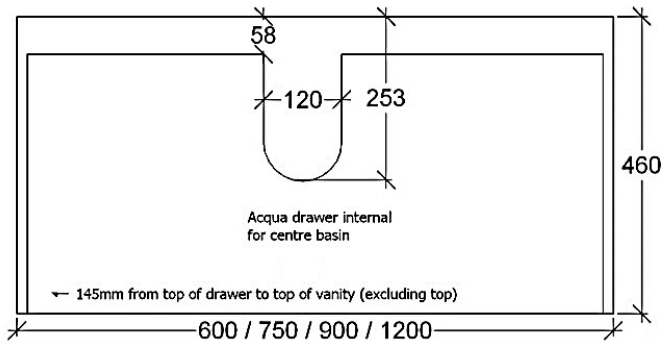
Front view

ACQUA SINGLE HEIGHT- SIDE VIEW



Side View

STANDARD CENTRE CUTOUT

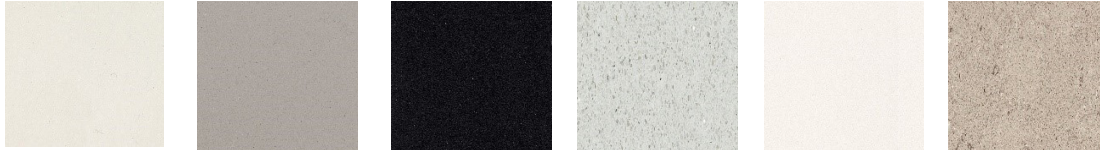


Dimensions are nominal measurements only

ACQUA WALL HUNG VANITY SINGLE HEIGHT

COLOUR OPTIONS

CAESARSTONE TOP COLOUR



Fresh Concrete Raw Concrete Jet Black White Shimmer Snow Shitake

FREESTYLE SOLID SURFACE TOP COLOURS



Sea Salt Zucchero Smooth Concrete Concrete Quartz

TIMBER TOP COLOURS



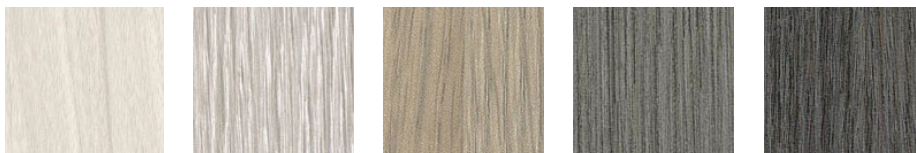
Tas Oak Blackbutt Blackwood Jarrah Recycled Brown American Walnut White Oak Limewash

POLYTEC CABINET – MATTE/SHEEN OPTIONS



Shannon Oak Rocco Lini Gesso Lini Café Cream Black Wenge (Matte only)

POLYTEC CABINET – RAVINE/LEGATO OPTIONS



Bleached Walnut Drifted Oak Maison Oak Maroso Milan Char Oak (Ravine only)

ACQUA WALL HUNG VANITY SINGLE HEIGHT

INSTALLATION INSTRUCTIONS

A licensed tradesperson must install your Rifco Vanity.

It is the responsibility of the purchaser to examine and check the Rifco Vanity for both suitability and quality BEFORE installation.

If the unit is not in good order and condition do not install. Please contact the retailer where the Vanity was purchased for further instructions. Rifco accepts no responsibility once partially or fully installed.

Remove drawers from vanity.

Locate tab under each side of drawer, located on the underside of the drawer at the front.

Pull them simultaneously towards you.

Whilst still pulling the tabs, pull the drawer straight back towards you.

The drawer is now free from the locking tabs, pull it out the rest of the way.

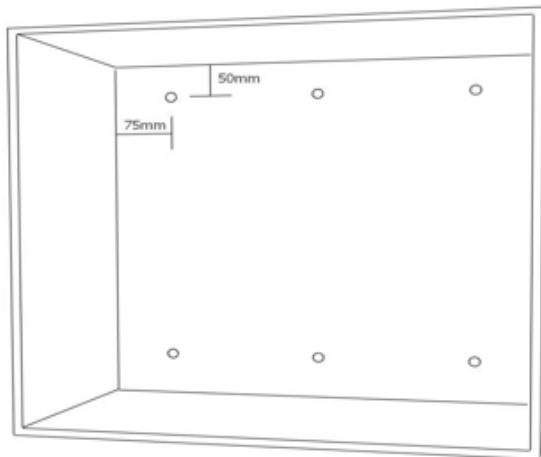
It is recommended that the drawer runners are covered to prevent particles/dust blocking the runners.

Remove top from vanity.

Having established the position of the vanity, mark and drill the holes for your plumbing fixtures, i.e. waste outlet, hot and cold water inlets. Move vanity into position and ensure it is level and square. This may require packing behind and/or below the vanity.

Once it is level and square, fix the vanity to the wall using the correct fitting depending on your wall (not supplied). If using standard screws and star plugs, be sure to use the washers in order to spread the load.

Position fixings as shown below:



The number of fittings used to fix cabinet will depend on the size of unit, your installer will know the suitable amount depending on the size of your cabinet.

Rifco recommends the following minimum;

Up to 900 width of vanity – 3 per row

900 to 1200 width of vanity – 4 per row

For wall hung vanities, it is essential the unit is fixed securely. The use of dynabolts is recommended for masonry wall, and fixing to studs in cavity walls. Rifco does not recommend installing wall hung vanities with toggle type fixing systems.

Connect the water supply lines and waste outlet

Replace drawers or doors back onto the vanity unit and make any necessary adjustments.

Fix the top to the vanity unit using quality bathroom use silicone. The gap between the wall and top will need to be filled with silicone. The vanity unit must then be sealed to the wall on all edges with silicone.

Plumbers, please ensure a copy of the installation instructions is left with the end user for future reference.

ACQUA WALL HUNG VANITY SINGLE HEIGHT

CARE AND MAINTENANCE – TIMBER TOPS

Rifco guarantee against faulty workmanship for a period of seven (7) years for all solid timber tops provided the vanity has been installed by a licensed tradesperson and according to the installation instructions.

Your Top has been manufactured from kiln dried strips of solid timber and coated with a 2-part polyurethane (top and bottom). The coating has been laboratory tested to withstand most household chemicals, detergents, oils and hot water. It is designed to give excellent long term service.

Normal maintenance is minimal. Regularly wipe down with an absorbent cloth or towel to remove pooled water and build-up of soap/toothpaste scum. If required, wipe with an approved liquid cleanser. It is possible that over time with constant rubbing of cleansers a burnishing effect may occur which will result in a soft lustre or patination. This is normal and will not affect wear but add to the character of the top.

In the event that a heavy object is dropped on the top, you may get a dent. As long as the coating is not broken, there is no action required to maintain the performance of the top. If the seal is broken, it can always be repaired, but this should be left to the manufacturer or tradesperson.

Plumbers, please ensure of a copy of the installation instructions is left with the end user for future reference.