



WOLFEN

INSTALLATION MANUAL

2039655 Wolfen Slimline Hand Dryer Stainless Steel



[Installation Details](#) | [Warranty](#)



WOLFEN™

CONTENTS

Intro	03
Technical Information	04
Units Components	06
Installation Instructions	08
Warranty	10

Delivering unrivalled quality

Designed for absolute performance, Wolfen's slimline stainless steel hand dryer sets new standards in quality and durability. Ergonomic design combined with precision engineering ensures that every Wolfen product is easy-to-use and made to last. Here are just some of the many innovative features that make Wolfen hand dryers the smart solution.

Infection control features

- Eliminates need for paper towel receptacle.

Infections control features

- Robust stainless steel case IP 21 certification.

Usage features

- Infra-red proximity sensor.
- Slimline design.
- Energy efficient - turns off after 1 second of non-detection.
- 160 m³/hr blowing volume.

Anti-vandal features

- Allen key fixing.

Installation and servicing

- 3-pin plug and lead attached.
- Suits standard power point.
- Easy installation template provided.

Application

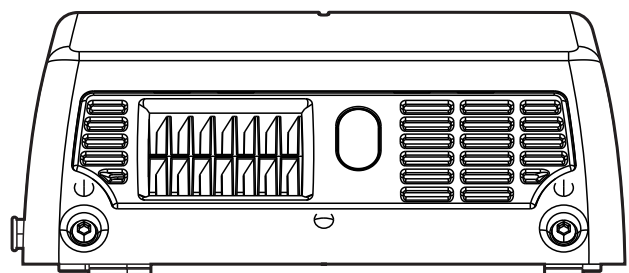
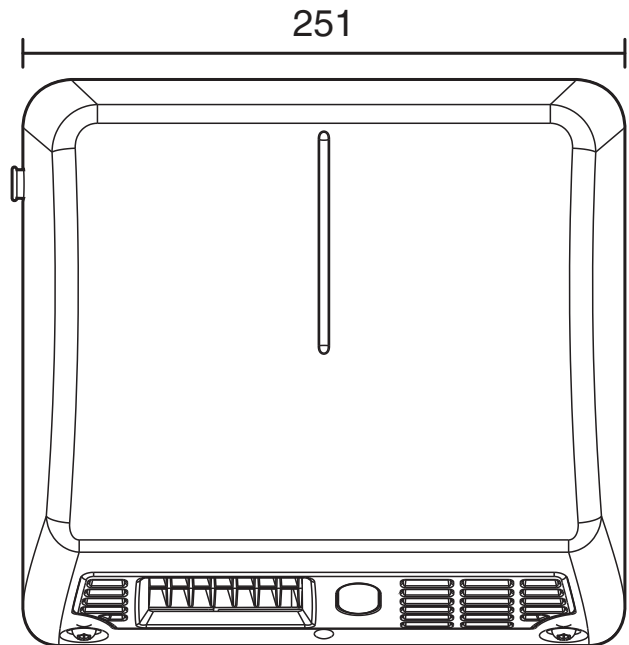
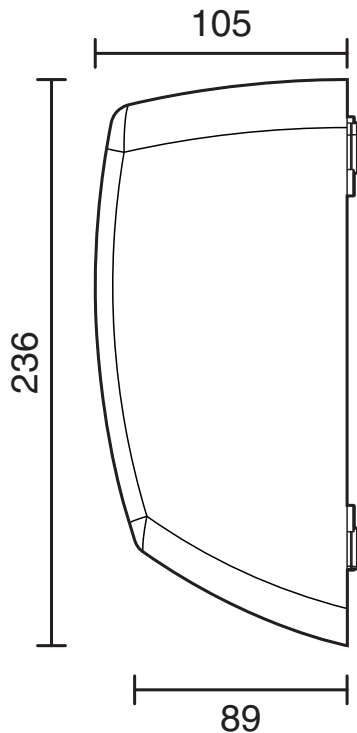
- Offices.
- Sport and leisure facilities.
- Restaurants.



TECHNICAL INFORMATION

Product Code	2039655
Electrical Connection	220-240V 50-60 Hz
Nominal Output	1300W
Engine Performance	77W
Casing	Stainless Steel
IP Rating	IP21
Weight	2.9kg
Blowing Volume	160m ³ /h
Air Speed	17m/s
Sound data Sound pressure level at 2m distance in a free field	73 dB(A)

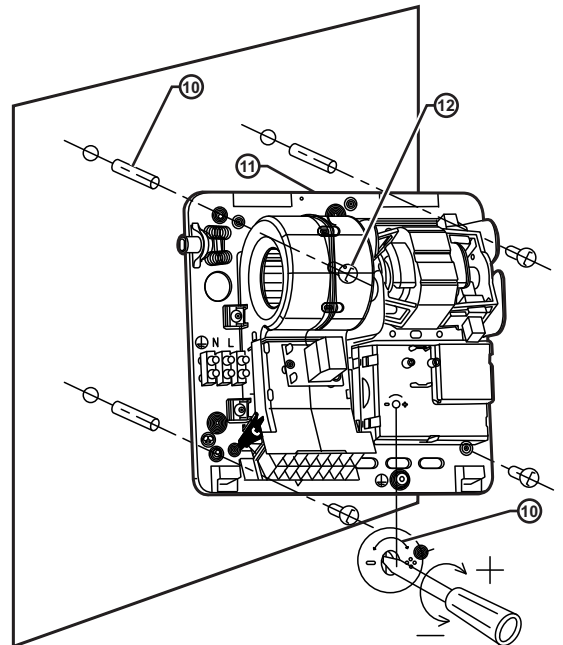
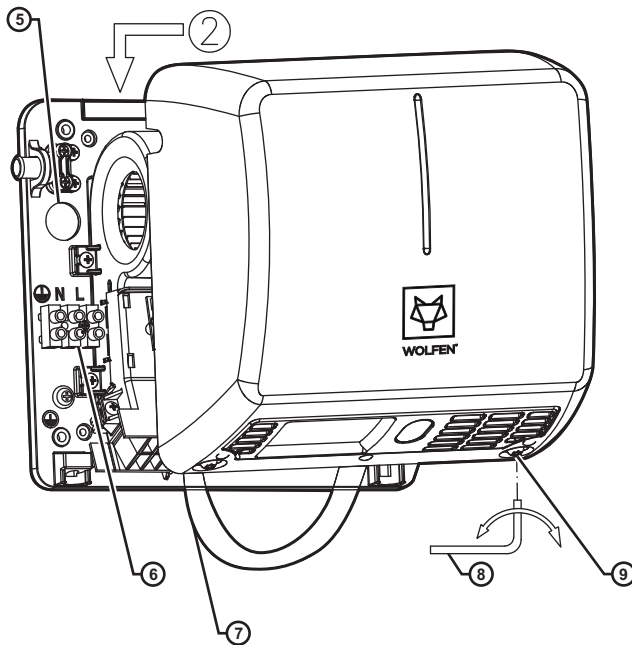
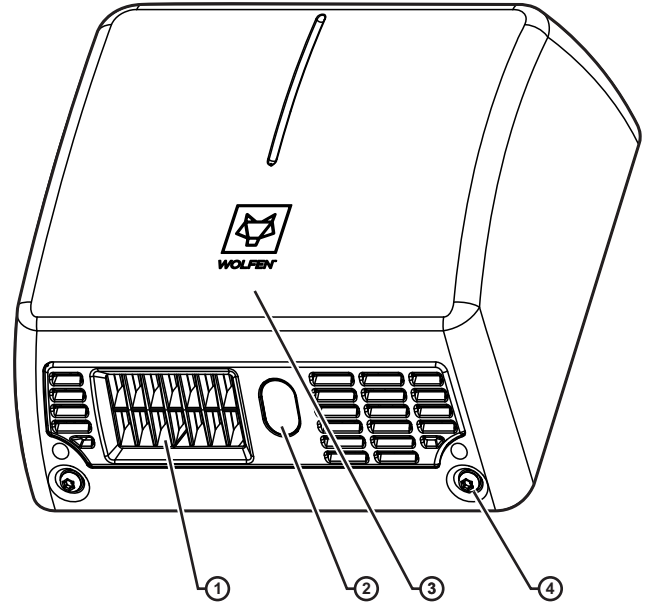
Wolfen Slimline Hand Dryer Stainless Steel



UNIT COMPONENTS

Wolfen Slimline Hand Dryer Stainless Steel

1	Air outlet
2	Infrared sensor window
3	Outer casing
4	Fastening screw
5	Wiring hole
6	Cable terminal
7	Sensor wire
8	Hexagon wrench
9	Plug
10	Plastic stopple
11	Base
12	Screw
13	Resistor trimming



INSTALLATION INSTRUCTIONS

Important Note

All electrical installation work should be carried out by a qualified electrician in accordance with IEE regulations.

The appliance must be separable from the mains with an air break of at least 3mm. A protective device, line switch, fuse etc, can be installed.

The Wolfen hand dryer must be installed (electrical installation), commissioned and serviced by approved service technicians in accordance with these instructions.

Any maintenance to the hand dryer should be carried out by a qualified electrician. The power supply should be disconnected before removing the front cover.

Installation Instructions

The hand dryer should only be mounted to a solid wall, away from any baths and basins. To install the unit, follow these instructions.

1. Transfer the four mounting points to the wall using the drilling template. Drill the mounting holes. Note the length and position of the power supply lead.
2. Draw the power supply lead through the cable grommet at rear panel of the dryer (Fig 3.)
3. Screw the appliance to the wall.
4. Connect the grounding wire to the cover.
5. Connect the sensor cable to the PCB.

Electrical Connection

The dryer is designed for permanent connection to 220V~240V~ alternating current.

The voltage shown on the rating plate must agree with the supply voltage. The cable should be correctly sized in accordance with the loading of the appliance.

Note: Please observe the rating plate.

Operation

In order to save energy and shorten drying time, vigorously shake wet hands over the washbasin, then hold your hand beneath the air exit grille and rub together in the warm airstream.

Care

When cleaning the casing, only use a soft cloth, with a mild detergent if necessary, and repolish with the soft cloth.

Do not spray the dryer with water or use any abrasive or caustic cleaning agents.

Trouble-shooting

The operation of the sensor is impaired when covered. If this occurs, the hand dryer will automatically switch off after a second to prevent it from running continuously. In the event of an operating failure, check that the sensor has not been covered. After the removal of any objects the dryer should function as normal.

Safety Note

During operation, a temperature of over 90°C can occur at the warm-air exit grille. Due to risk of overheating, this should not be covered.

In the event of overheating, the temperature safety cut out switched off the heating element. The thermal fuse needs to be replaced after tripping. Ensure that the air grilles on the underside and rear of the dryer are always kept open.

REECE PRODUCT QUALITY GUARANTEE



You have purchased a quality product from Reece Australia Pty Ltd ABN 84 004 097 ("Reece"). This product is covered by a 5 year replacement product warranty and a 12 month warranty over spare parts and labour.

5 YEAR WARRANTY

This warranty covers faults in the product construction, material and assembly. Products which are within 5 year from the date of purchase, found upon inspection by an authorised Reece representative, to be defective in construction, material or assembly will be repaired or exchanged with an equivalent product free of charge.

Replace items become Reece's property.

All replacement products will be available for collection without charge to the customer at the nearest Reece Branch to the customer's location or elsewhere as agreed between the customer and Reece.

Labour and Spare Parts

The labour for the replacement of products and spare parts to which this warranty applies will be supplied by Reece or relevant supplier using licensed plumbers engaged by Reece or relevant supplier within 1 year from the date of purchase. Spare parts other than those listed in the Manufacturer's Provisions above, which are within 1 year from the date of purchase found upon inspection by an authorised Reece representative to be defective in construction, material or assembly, will be replaced free of charge.

Warranty Conditions

This warranty will apply only under all of the following conditions:

- The item has been installed by a licensed plumber.
- Failure is due to a fault in the manufacture of the product.
- Proof of purchased (including the date of purchase) is provided.
- The installation of the product is in accordance with the instructions provided.

This warranty does not cover products purchased as an ex-display without being fully checked and tested for sale by the manufacturer.

This warranty does not include faults caused by:

- Unsuitable or improper use.
- Incorrect installation or installation not in accordance with the instructions provided.
- Installation or part installation by the purchaser or any person other than a LICENSED PLUMBER.
- Normal wear and tear.
- Inadequate or complete lack of maintenance .
- Chemical, electrochemical or electrical influences.
- Harsh detergents or abrasive cleaners used on product finishes.

EXCLUSIONS

To the fullest extent permitted by law, Reece excludes all liability for damage or injury to any person, damage to any property, and any indirect consequential or other loss or damage.

CLAIM PROCEDURE

For all warranty queries customers are to contact the branch where the product was purchased. These details can be found on your purchase invoice.

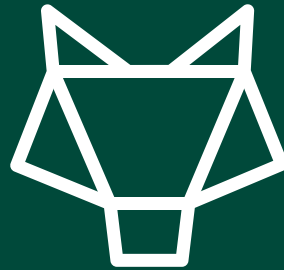
Our goods come with guarantees that cannot be excluded under the Australian Consumer Law. You are entitled to a replacement or refund for a major failure and for compensation for any other reasonably foreseeable loss or damage. You are also entitled to have the goods repaired or replaced if the goods fail to be of acceptable quality and the failure does not amount to a major failure.

Don't risk it, use a licensed plumber.™

IF AFTER CHECKING THE
INSTALLATION INSTRUCTIONS
AND IMPORTANT
INFORMATION.
THE PROBLEM HAS NOT BEEN
IDENTIFIED, PLEASE CONTACT
STIEBEL ELTRON CUSTOMER
SUPPORT ON:

1800 153 351 or

info@stiebel.com.au



WOLFEN™

reece.com.au/wolfen