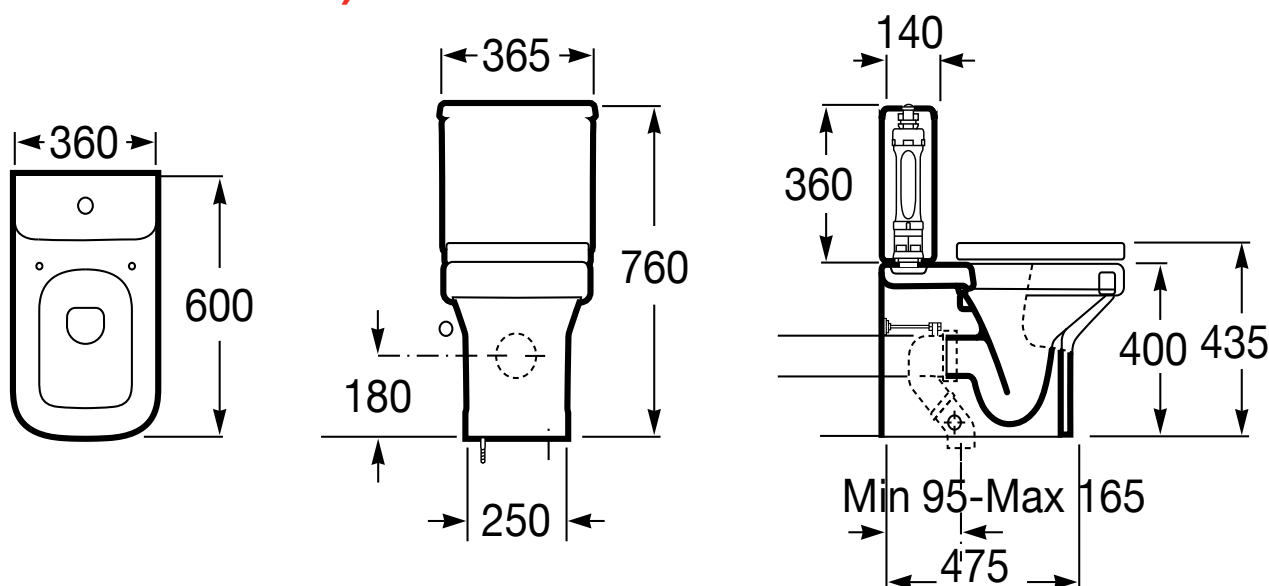


# ROCA

## DAMA-N CLOSE COUPLED BACK TO WALL TOILET SUITE (BOTTOM INLET)



Dimensions are nominal measurements only

### SPECIFICATIONS

<b>Recommended Use</b>	Domestic, Hotel and Commercial
<b>Material</b>	Vitreous China
<b>Colour</b>	White
<b>Weight</b>	Cistern: 11kg Pan: 29kg
<b>Water Inlet Position</b>	Bottom Inlet : RH or LH
<b>Inlet Valve</b>	Recommended maximum working pressure 1000kPa
<b>Cistern Fixing</b>	Cistern bolted directly to the wall (NOTE: This cistern will require to be fixed to a noggin inside the wall)
<b>Seat</b>	Soft Close Seat
<b>Rim Configuration</b>	Box Rim
<b>Bowl Configuration</b>	P trap (Converts to S Trap using plastic S bend provided)
<b>Pan Fixing</b>	Screwed to the floor using brackets (supplied) and bedded with sealant



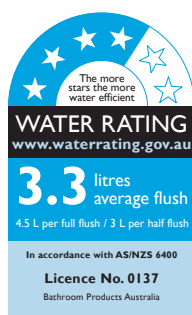
To see the complete ROCA range go to [www.reece.com.au/bathrooms](http://www.reece.com.au/bathrooms)

### CLEANING RECOMMENDATIONS

We recommend the use of soapy water or approved cleaners.

This product should not be cleaned with abrasive materials.

Damage caused by any improper treatment is not covered by the product warranty. Refer to Warranty Conditions.



Disclaimer: Products in this specification manual must by regulation be installed by licensed and registered trade people. The manufacturer/distributor reserves the right to vary specifications or delete models from their range without prior notification. Dimensions are nominal measurements only. Dimensions and set-outs listed are correct at time of publication however the manufacturer/distributor takes no responsibility for printing errors.

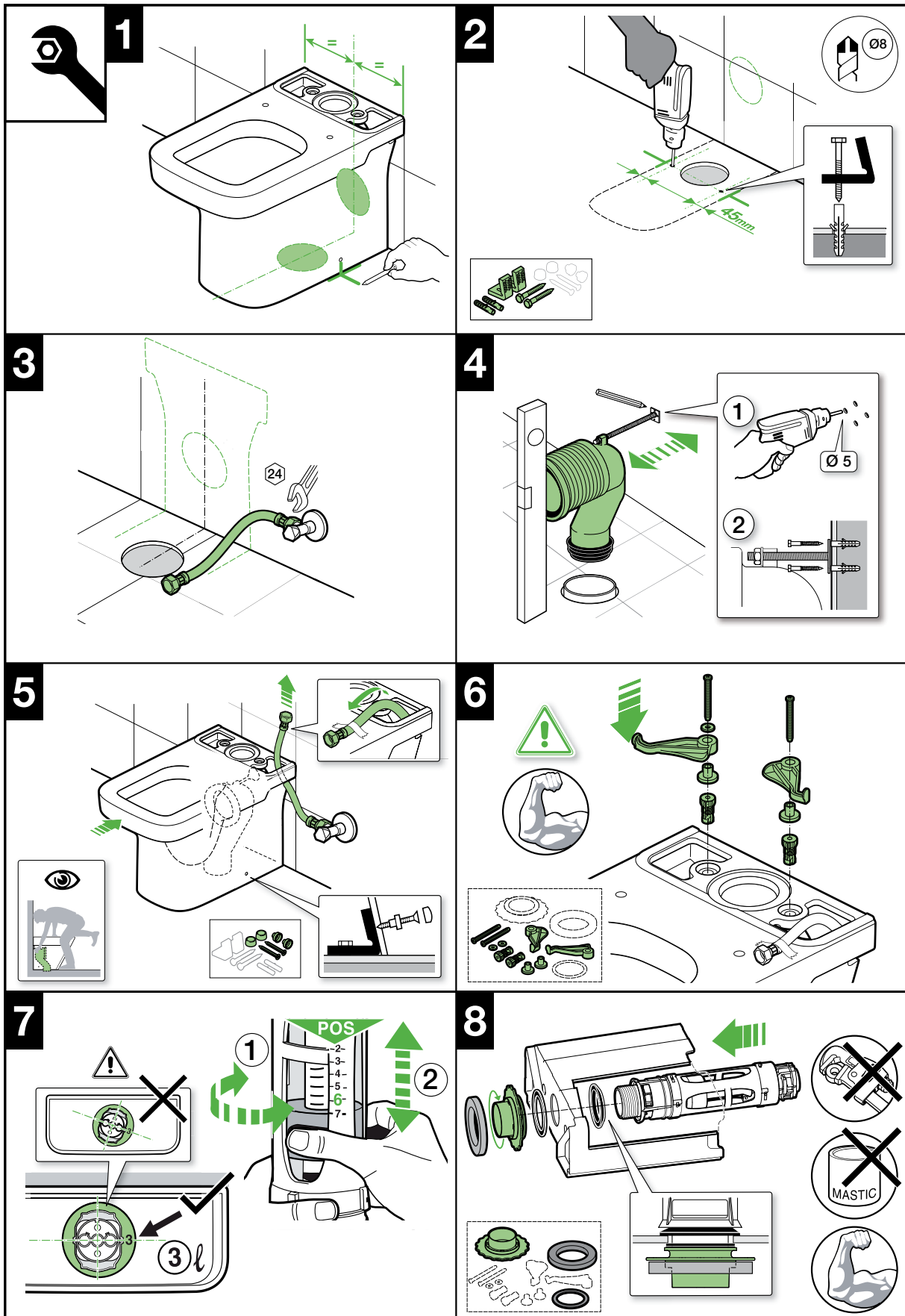
Tech Page Version 1



**ROCA**

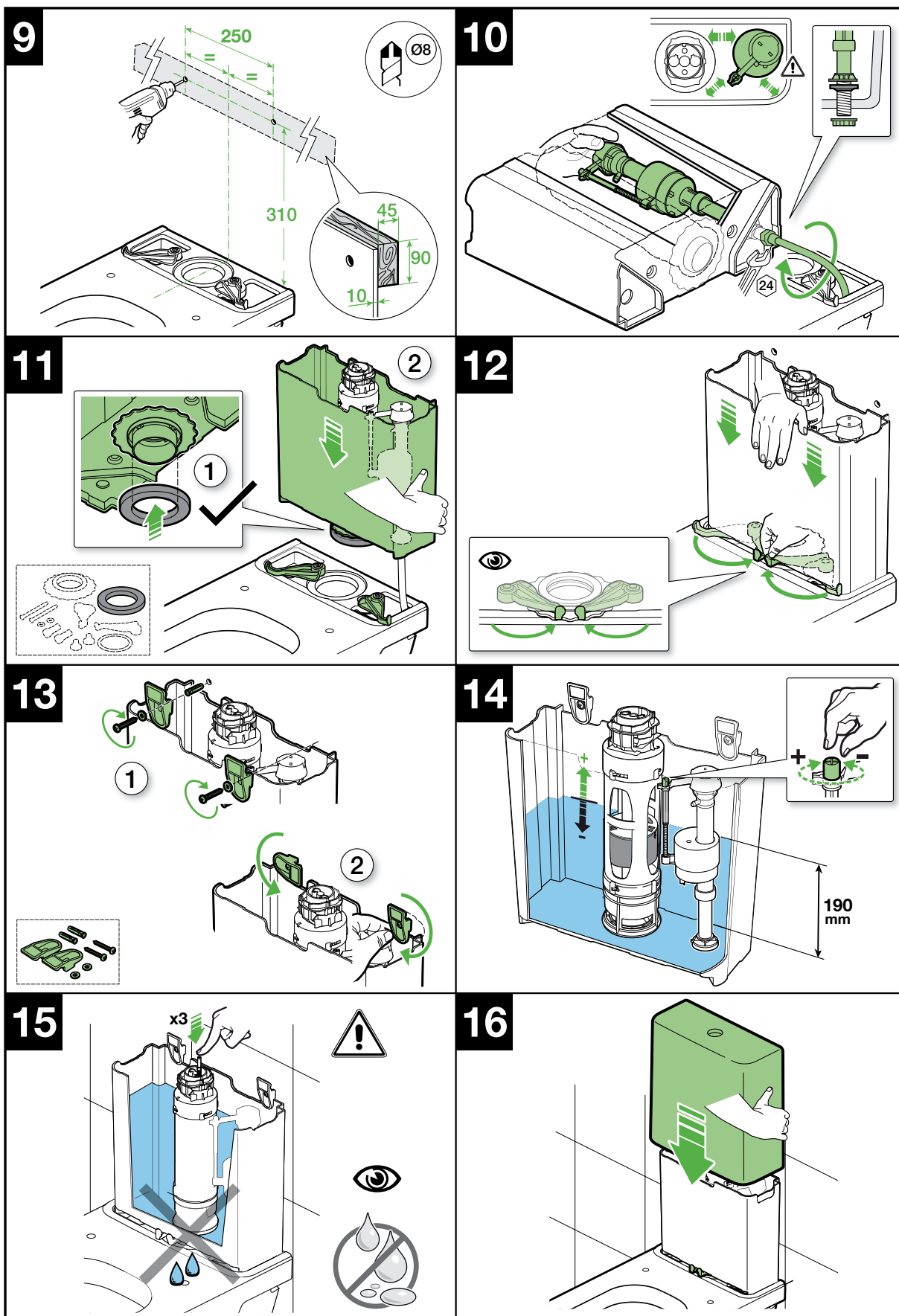
**DAMA N CLOSE COUPLED BACK TO WALL TOILET SUITE (BOTTOM INLET)**

**INSTALLATION INSTRUCTIONS**



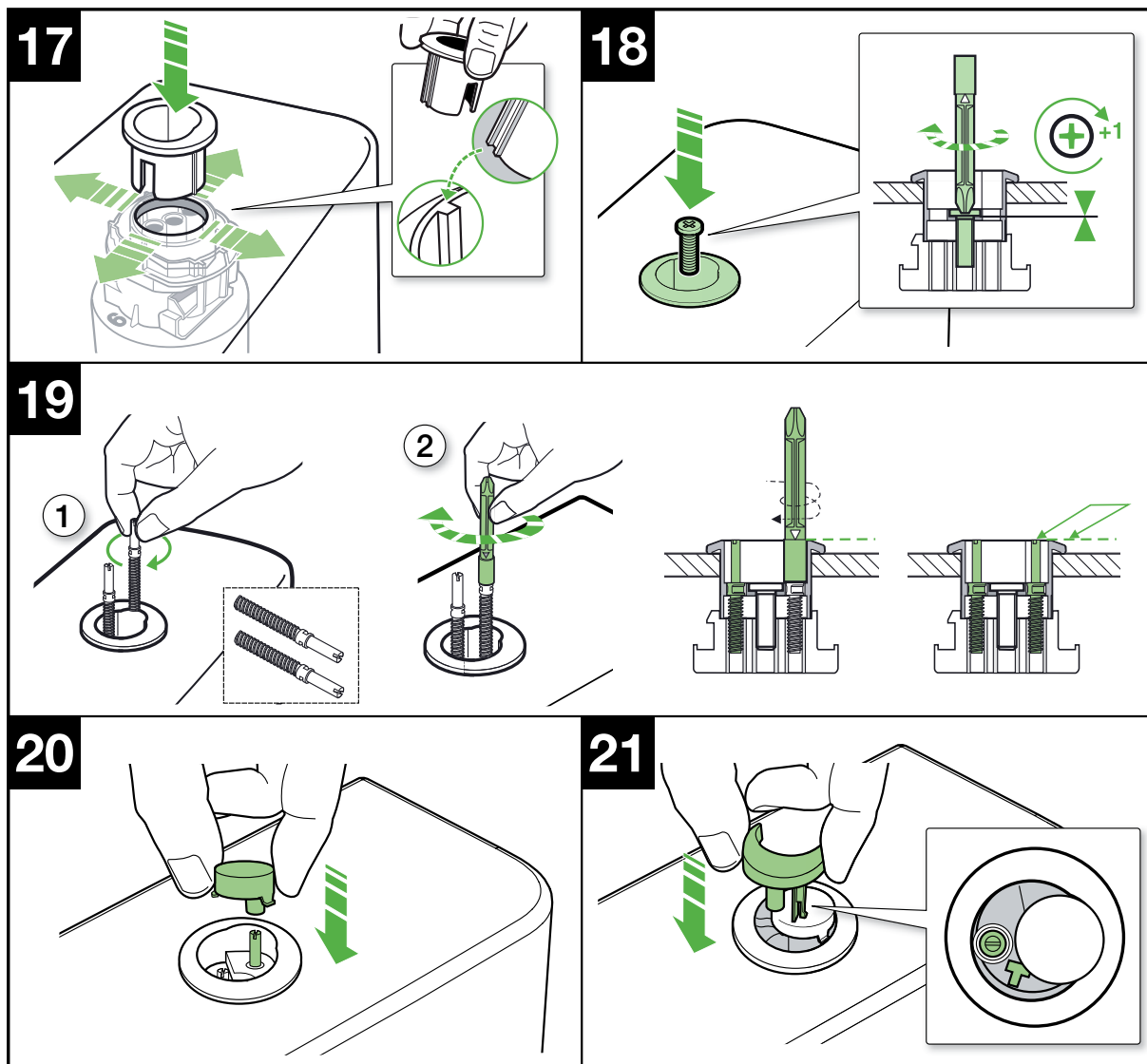
**ROCA**

**DAMA N CLOSE COUPLED BACK TO WALL TOILET SUITE (BOTTOM INLET)**



# ROCA

## DAMA N CLOSE COUPLED BACK TO WALL TOILET SUITE (BOTTOM INLET)



Plumbers, please ensure a copy of the installation instructions is left with the end user for future reference

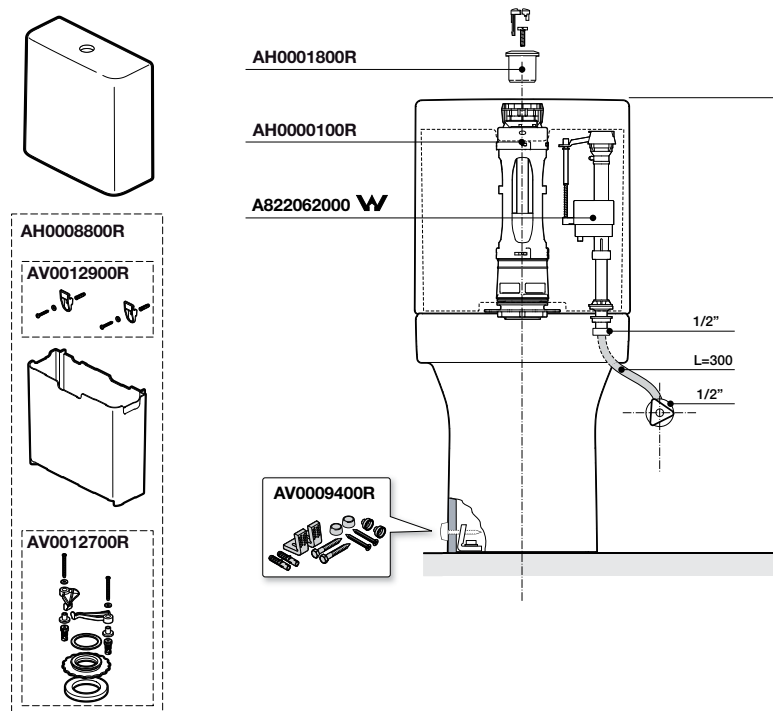
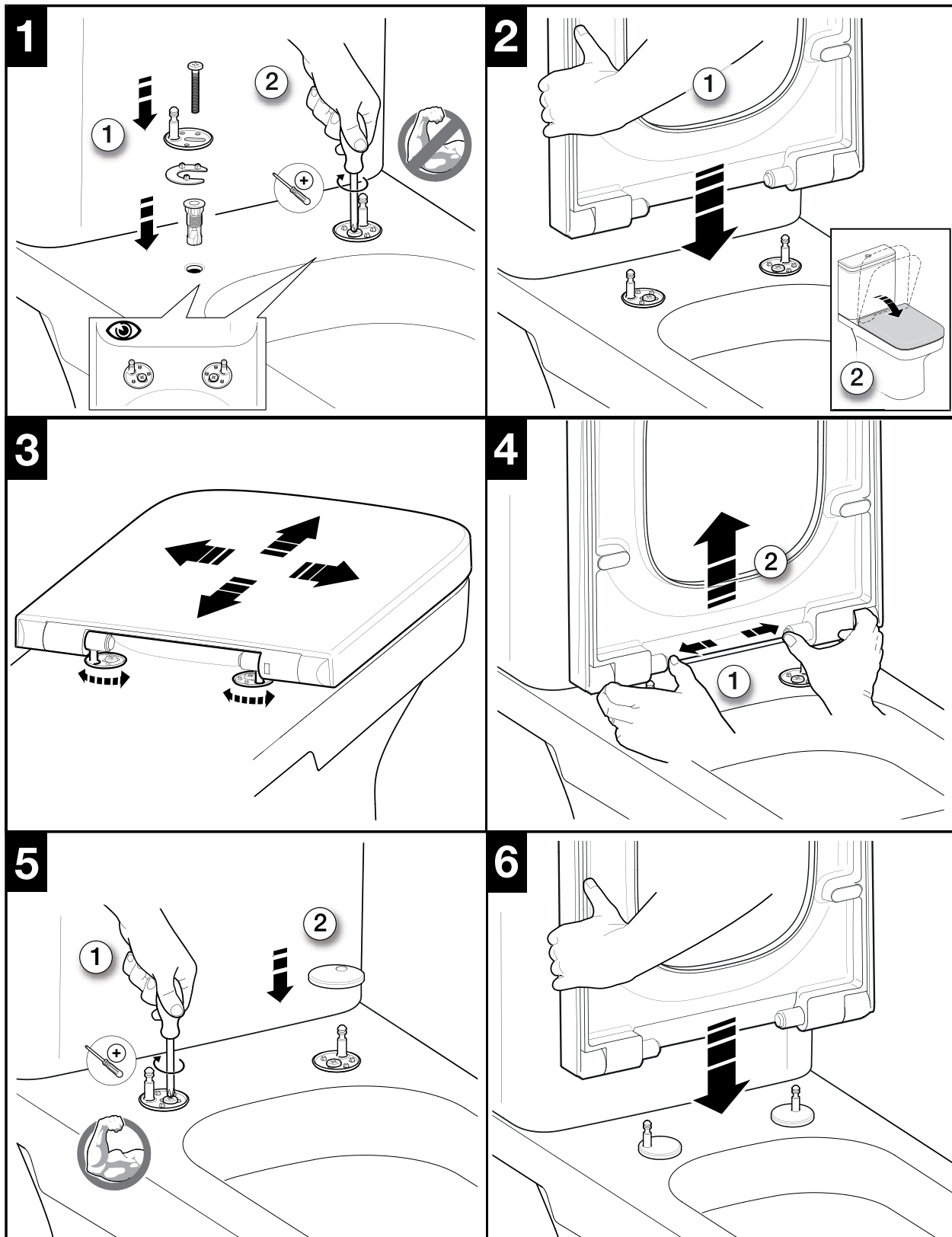
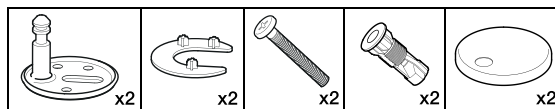
**ROCA****DAMA N CLOSE COUPLED BACK TO WALL TOILET SUITE  
(BOTTOM INLET)****SPARE PARTS**

Image	Reece Code	Product Description	Part Number
	9503600	Roca Dual Flush Buttons - Ah0001800r	AH0001800R
	1842173	Fluidmaster Inlet Valve Adj 400uk	400UK
	9506260	Roca Floor Pan Bracket Fixing Kit	AV0009400R
	9503596	Roca Outlet Valve D4d	AH0009200R
	9506262	Roca Dama-N Cistern TO Pan Fixing Kit	AV0012700R
	9506263	Roca Dama-N Plastic Tank Wall Fixing Kit	AV0012900R
	9503698	Roca Outlet Valve Seal Washer Ah0007100r	AH0007100R
	9502798	Dura Offset Adj Pan Bend	9502798
	9505400	Dama-N Soft Close Seat Compact	A80R78C001
	9504724	Roca Seat Hinges Set Wy911691212001	WY911691212001
	9506349	Roca Seat Buffer Set Wy911801413001	WY911801413001

**ROCA**

**DAMA N CLOSE COUPLED BACK TO WALL TOILET SUITE (BOTTOM INLET)**

**INSTALLATION INSTRUCTIONS - SEAT**



**ROCA**

**DAMA N CLOSE COUPLED BACK TO WALL TOILET SUITE (BOTTOM INLET)**

**MAINTENANCE**

