

# st.michel **KAYLA**



## SPECIFICATIONS

<b>Recommended Use</b>	Domestic, Hotel and Commercial
<b>Vanity Unit Material</b>	MDF E0 (Medium Density Fibreboard, Rated Emission Level E0) PB E1 (Partial Board, Rated Emission Level E1)
<b>Vanity Colour Variations</b>	<b>Textured Woodgrain With Aqua Edge®</b> Devon Oak, Premium Oak, Smoked Ash, Vintage Ash, Classic Walnut, Southern Oak, Black Wilderness, Charred Oak, Baroque, Blackened Teak, Hamptons Elm, Sovereign Oak <b>White With Aqua Edge®</b> White Velvet <b>See swatches instore for all finishes</b>
<b>Basin</b>	Mineral Cast-White. Includes Overflow
<b>Cabinet Interior</b>	Matches Exterior
<b>Tap Hole availability</b>	1 Tap hole only (pre-drilled)
<b>Handle</b>	Zero handle. Finger pull
<b>Drawers</b>	Hettich Innotech Soft-close drawer system. Limited life time warranty. Made in Germany.
<b>Waste</b>	Supplied separately
<b>Fixing</b>	Bolted/Screwed to the wall by a licensed trades person. Refer installation instructions.



To see the complete Kayla range go to [www.reece.co.nz/bathrooms](http://www.reece.co.nz/bathrooms)

VARIATIONS	900 Centre	900L Offset	900R Offset	1200 Centre	1200L Offset	1200R Offset	1200DB Double	1500DB Double
<b>Width -Top (mm)</b>	900	900	900	1200	1200	1200	1200	1500
<b>Depth - Top (mm)</b>	500	500	500	500	500	500	500	500
<b>Width - Cabinet (mm)</b>	894	894	894	1194	1194	1194	1194	1494
<b>Depth - Cabinet (mm)</b>	496	496	496	496	496	496	496	496
<b>Height - Cabinet (mm)</b>	415	415	415	415	415	415	415	415
<b>Number of Drawers</b>	1	1	1	1	1	1	2	2

## CLEANING RECOMMENDATIONS

This bathroom product should not be cleaned with abrasive materials eg. steel wool/scourers. Do not use any corrosive or abrasive cleaning agents containing acids or scouring agents. To maintain finish use only a soft cloth or weak solution of non-abrasive detergent. Bleaches can discolour products and therefore should not be used. Damage caused by any improper treatment is not covered by the product warranty - refer to Warranty Conditions on the last page.

Disclaimer: Products in this specification manual must by regulation be installed by licensed and registered trade people. The manufacturer/distributor reserves the right to vary specifications or delete models from their range without prior notification. All dimensions are nominal. Set-outs listed are correct at time of publication however the manufacturer/distributor takes no responsibility for printing errors.

Tech Page Version 1

September 2023

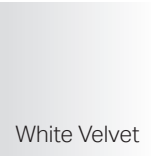


## MELAMINE FINISHES

### Textured Woodgrain With Aqua Edge®



### White With Aqua Edge®

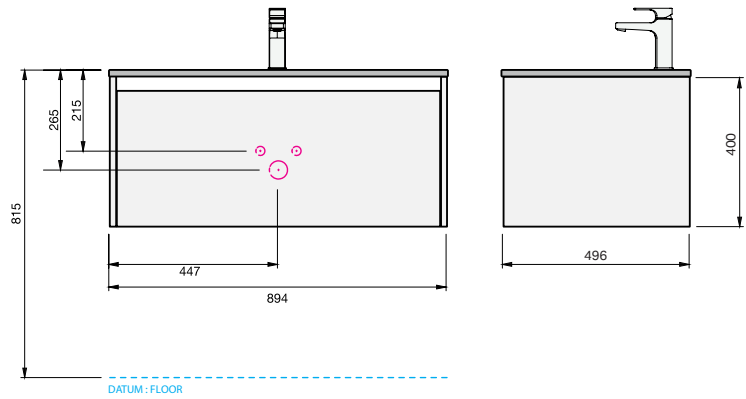
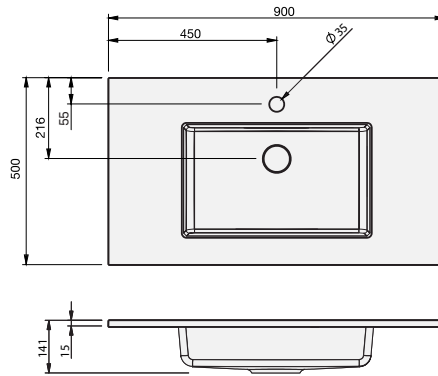
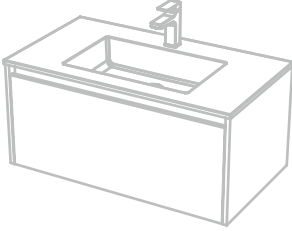


See swatches instore for all finishes

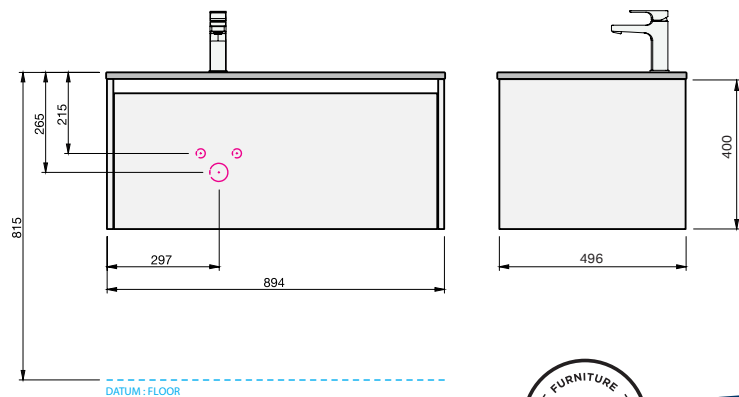
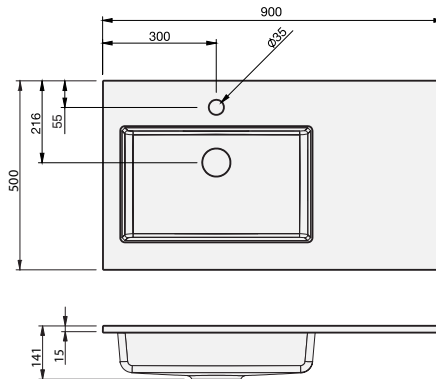
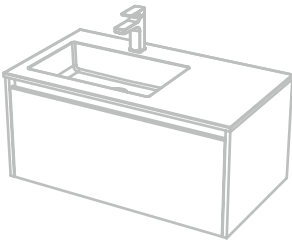


## KAYLA VANITY SPECIFICATION

### 402 KAYLA 900

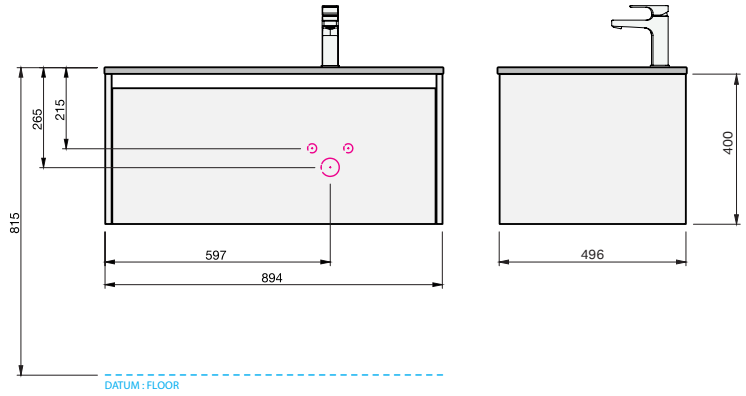
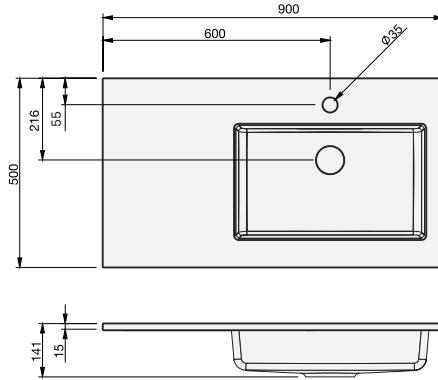
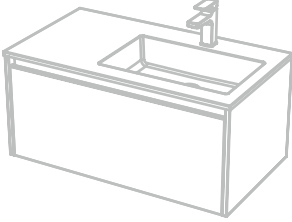


### 403 KAYLA 900L

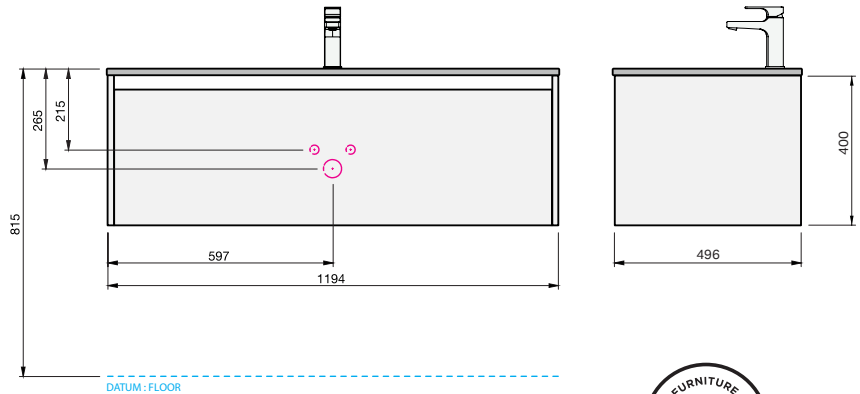
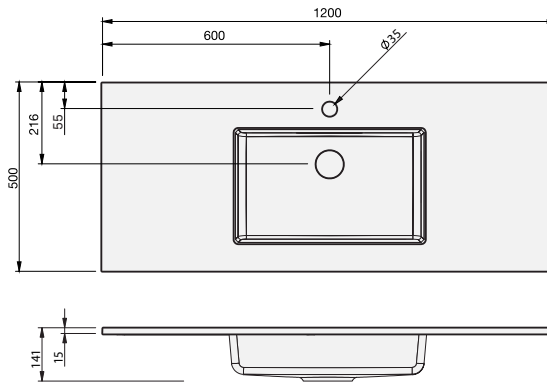
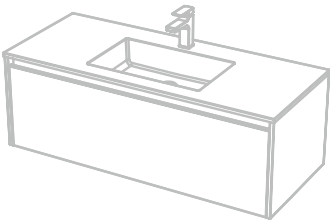


## KAYLA VANITY SPECIFICATION

### 404 KAYLA 900R

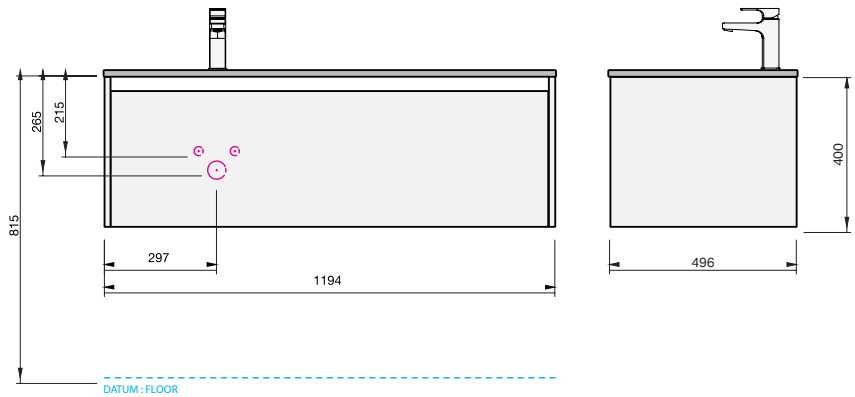
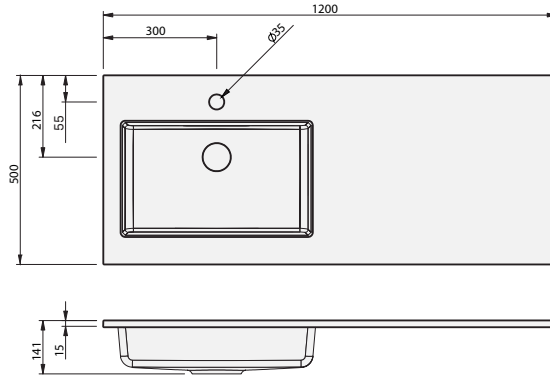
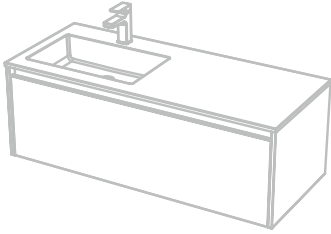


### 405 KAYLA 1200

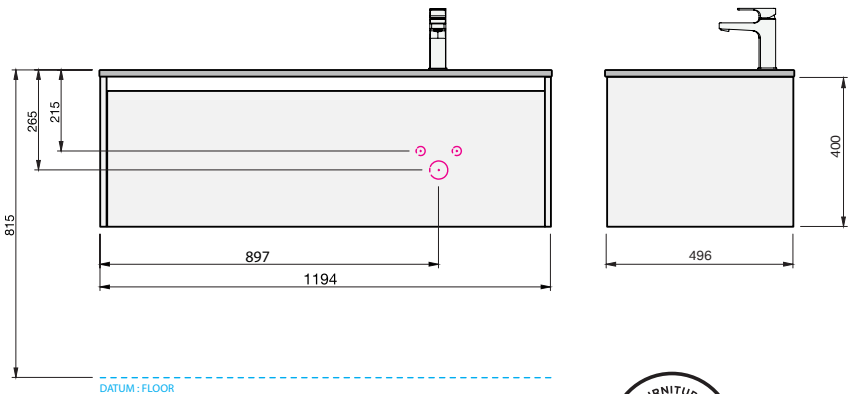
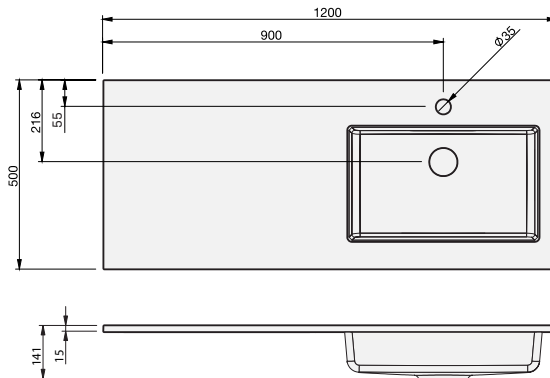
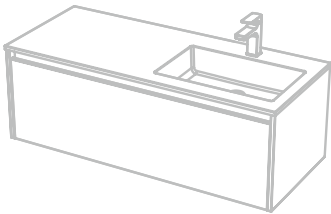


**KAYLA VANITY SPECIFICATION**

**406 KAYLA 1200L**

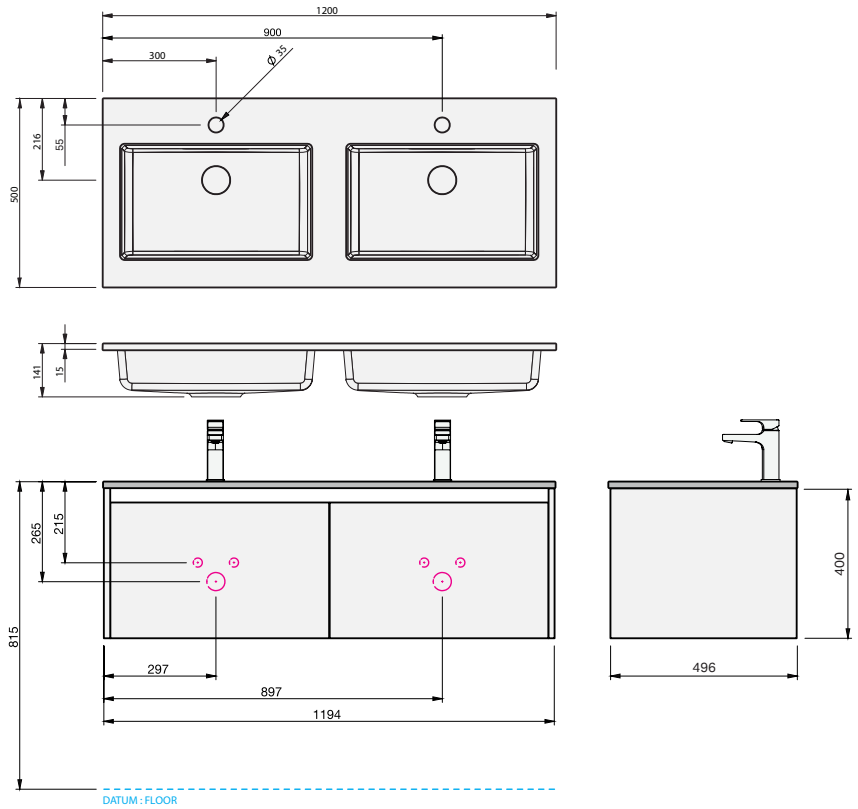
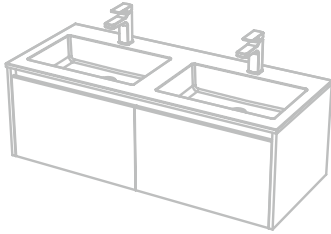


**407 KAYLA 1200R**

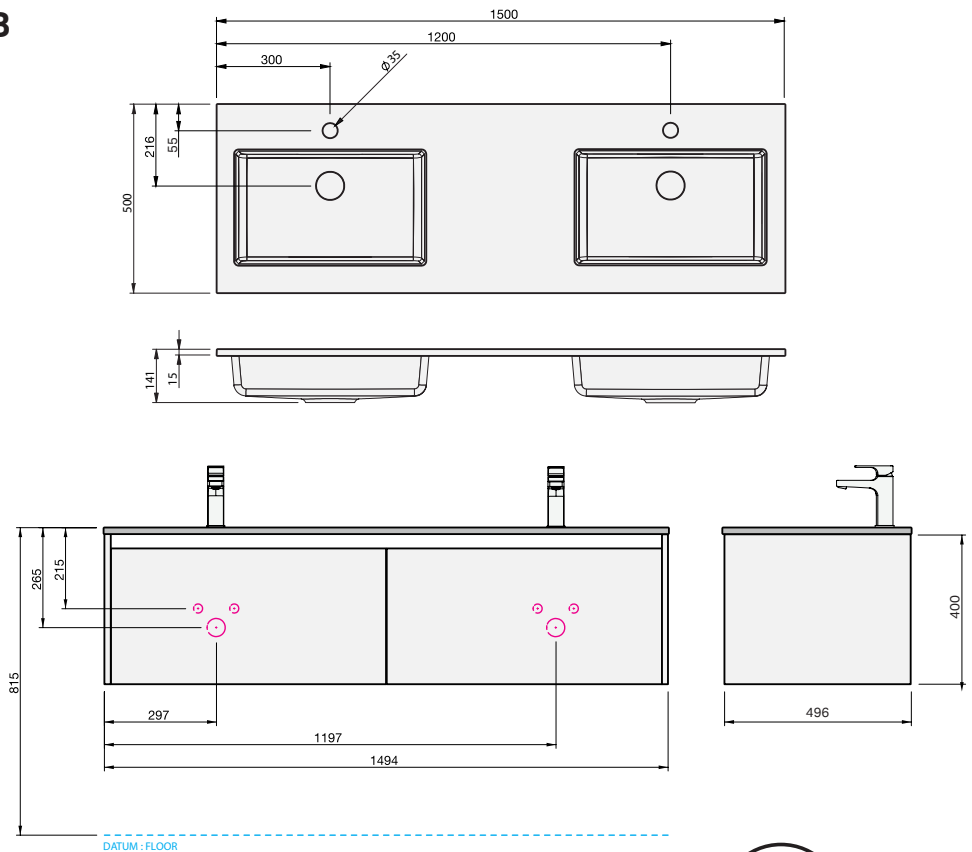
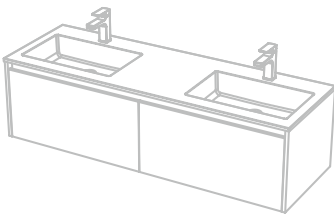


## KAYLA VANITY SPECIFICATION

### 408 KAYLA 1200DB

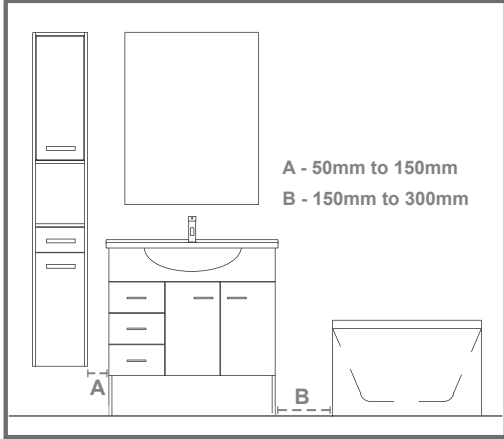


### 412 KAYLA 1500DB



## INSTALLATION INSTRUCTIONS

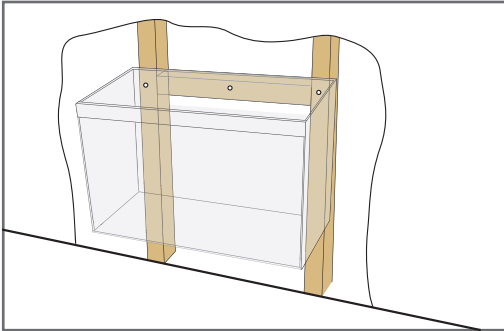
### IMPORTANT: PLEASE READ PRIOR TO INSTALLATION



### Positioning & Ventilation

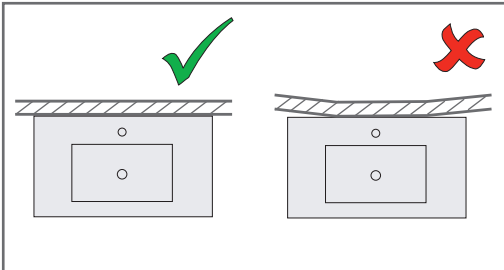
- Furniture must be at least 150mm away from any wet areas
- Do not expose furniture to shower spray
- It is important that your bathroom is adequately ventilated to eliminate moisture build up. High humidity will lead to permanent dampness and mould resulting in deterioration of the materials in your bathroom.

Refer to [stmichel.co.nz](http://stmichel.co.nz) for more positioning and clearance guides



### 1. Check Support Nogs

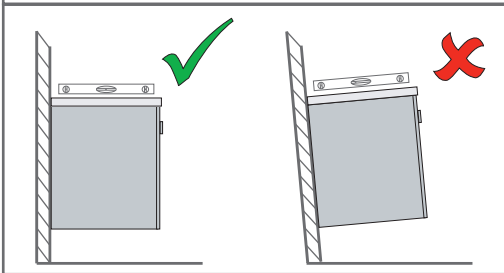
Wall hung furniture and wall hung ceramic basins require fixing to support nogs fitted between the studs, as detailed, to give a solid wall backing to attach the vanity. If necessary fix additional support nogs at desired height for cabinet and basin fixing. Ensure total width of support nog exceeds vanity width. Refer to step 7 'fixing basins'



### 2. Check for Plumb Walls and Level Floors

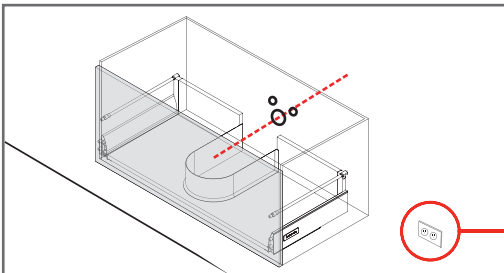
Ensure the Wall is plumb and straight, ensure floor is level. If you fix the product to a non-plumb wall or floor the following could happen:

- Your door or drawers will not operate correctly
- Door or drawer adjustments will not align.
- Basins will not sit level, which may cause water to pool or not drain properly



If it is not possible to make the wall or floor plumb and straight you must pack the vanity out so that it does not follow the out of aligned wall.

Floor standing vanities must sit on a level floor or be packed so they sit level and true.



### 3. Check plumbing positions align with product interior configurations.

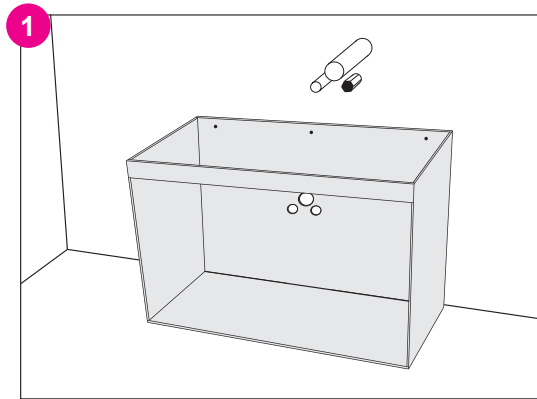
Note: If your product has any electrical fittings please allow for this and talk to your electrician

Plumbers, please ensure a copy of the installation instructions is left with the end user for future reference



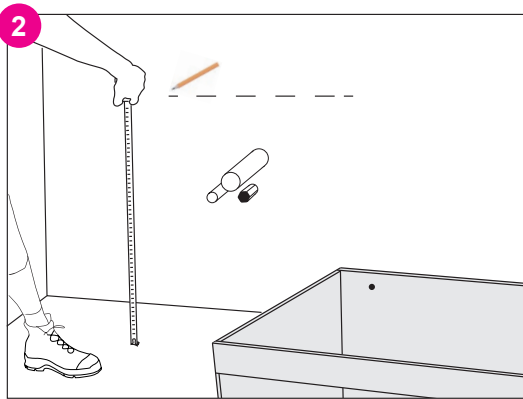
## INSTALLATION INSTRUCTIONS

### PREPARING THE CABINET



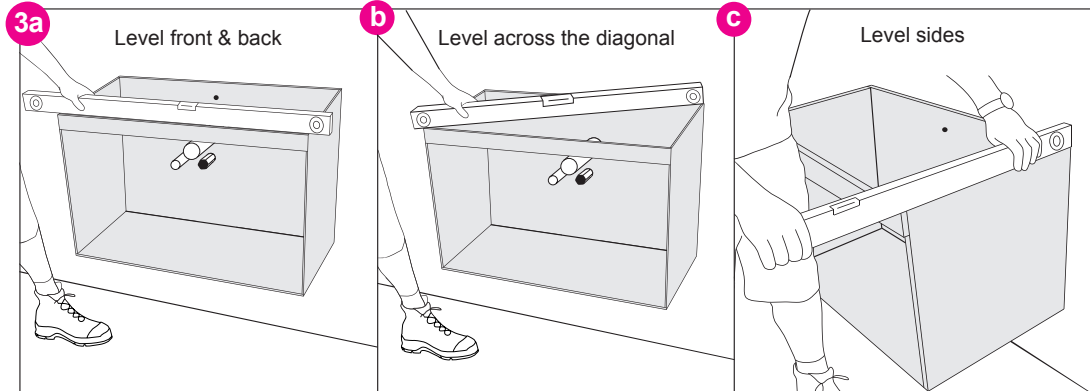
Remove doors & drawers and drill holes for plumbing in the back panel and/or base of the cabinet with an appropriate sized hole saw. Pre-drill screw locations for fastening to wall in step 4.

### MEASURING UP



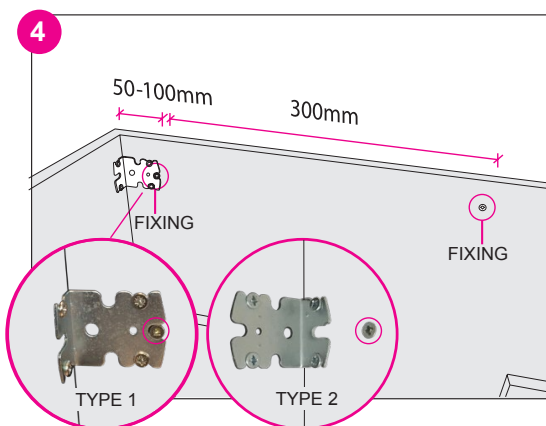
Mark the position of the top of the vanity - factor in the top/ basin thickness to get the correct height. Use a single screw in center of vanity to hold it in place.

### LEVELING UP



Note: Floor standing vanities should likewise, be checked for sitting level plumb and square and suitably packed to achieve this. Fix to the wall to secure either through the back rail or back panel.

### SECURING THE CABINET



Securely fasten cabinet to wall through the back, no further than 100mm from each side of the cabinet. Upper fixings should be no lower than 50mm from the top of the back. Where possible, fasten cabinet through steel bracket in the top corner of the unit. Note: For cabinets over 900 wide you must provide additional fixing points evenly spaced at 300mm.

Plumbers, please ensure a copy of the installation instructions is left with the end user for future reference

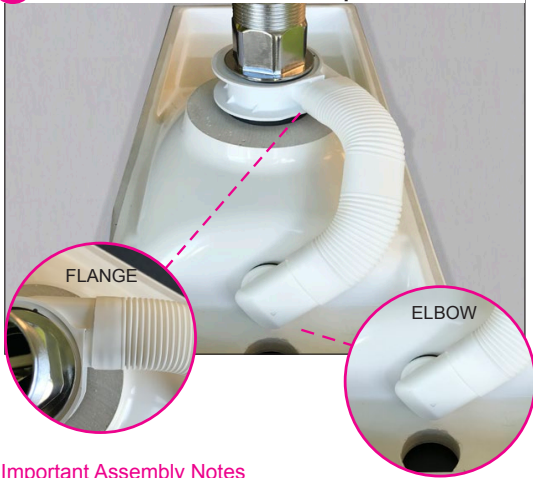


## INSTALLATION INSTRUCTIONS

### FITTING OVERFLOW - IF SPECIFIED & SUPPLIED

6a

Small basin set up



b

Large basin set up



- Rotate elbow and flange to eliminate low points where water can gather and avoid major kinks that stop water flow.
- Ensure hose does not obstruct basin placement on cabinet.

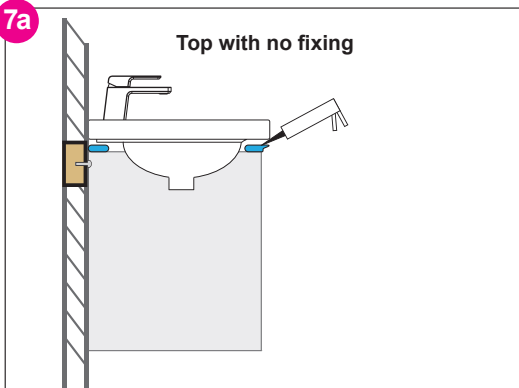
#### Important Assembly Notes

- Pre-assemble kits and fit to basin prior to mounting on cabinet. This will make flange and elbow adjustment easier. (Cutting the hose to size should not be required. Never cut on serrations)
- When connecting hose to elbow and flange carefully align ends and insert fully.

### FIXING TOPS / BASIN

7a

Top with no fixing



Position the top so that it has an equal amount of overhang on each side and use a level to ensure the vanity top surface is level. Note: If the vanity is being installed in a corner, a packing strip is required and basin location will vary.

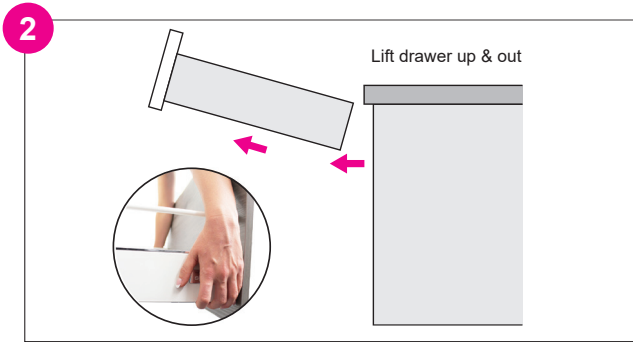
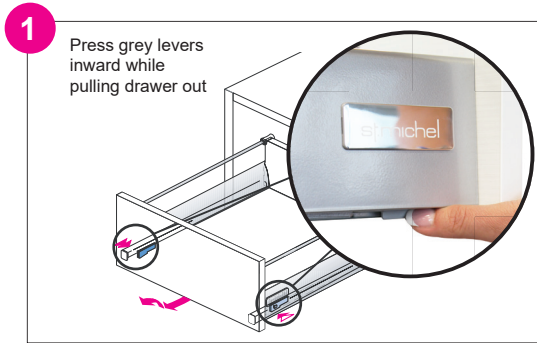
1. Apply Silicone Sealant (not included) to all four corners of the cabinet
2. Place the vanity top/basin onto the cabinet

**INSTALLATION INSTRUCTIONS**

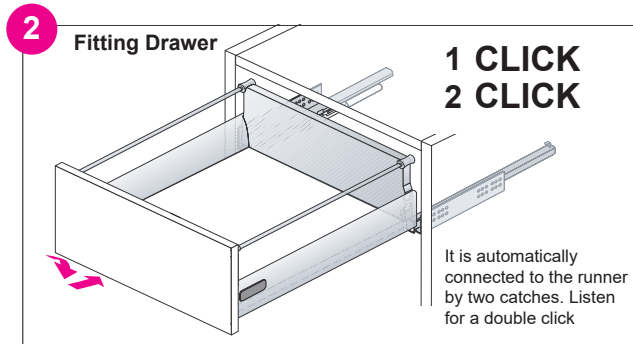
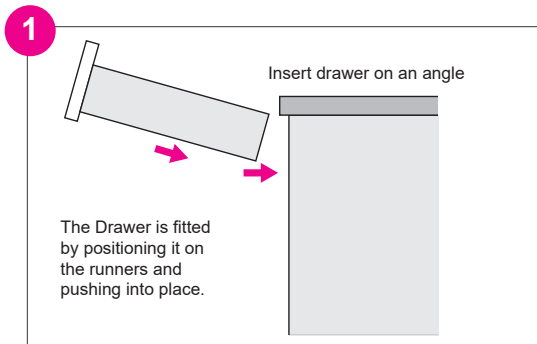
**4.1 DRAWER INSTALLATION & ALIGNMENT | A-TYPE DRAWER**

Note: A-type drawer could have a round or square gallery rail

**REMOVING DRAWER**



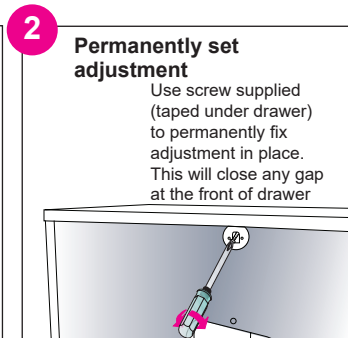
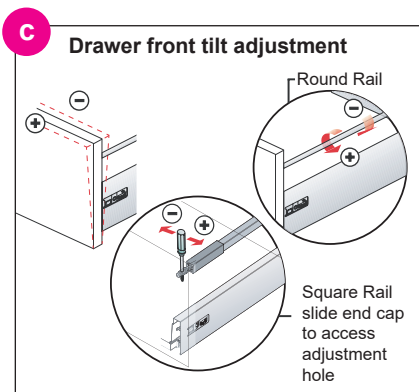
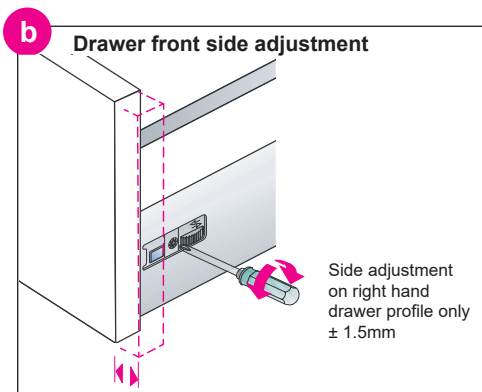
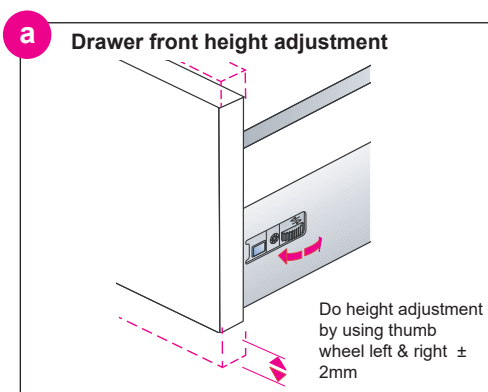
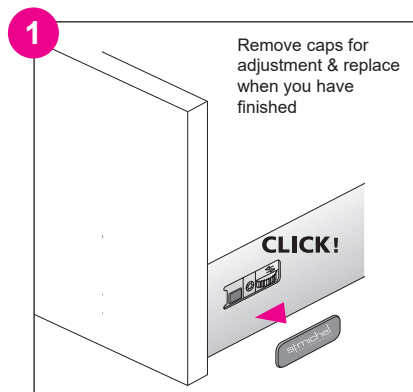
**INSERTING DRAWER**



**ADJUSTMENT**

Adjust drawer front as required

**Warning:** Avoid pushing the blue button - this will cause the drawer front panel to detach



## KAYLA PRODUCT WARRANTY

### Residential

Furniture 5 years  
Mineral Cast Basin 5 years

### Commercial

Furniture 1 year  
Mineral Cast Basin 1 year

### SUBJECT TO CONDITIONS OF USE

St Michel warrants that in the manufacture and supply of its products only high quality materials and workmanship have been used.

If within the warranty period there should be a fault with either materials or workmanship St Michel will either (at its sole discretion) repair or replace or refund (up to the original purchase price of the product).

Costs incurred in removing the defective product and installing the replacement product remain the responsibility of the purchaser.

This guarantee does not cover damage by improper installation, abuse, accident, misuse, excessive wear and tear, negligence, neglect, natural causes eg: water and sunlight, improper care and maintenance, water temperatures in excess of 55°C, humidity and other environmental conditions.

St Michel warranty applies from the date of purchase. Proof of the purchase date needs to be produced by the purchaser when making a claim.

### CARE AND CONDITIONS OF USE

St Michel products are produced from materials that are well suited to the bathroom. It is, however important that your bathroom is adequately ventilated to eliminate moisture build up. High humidity will lead to permanent dampness and mould resulting in a deterioration of the materials in your bathroom. If you cannot identify basin or cabinet material used on your product, please contact your merchant or see the product information at [www.stmichel.co.nz](http://www.stmichel.co.nz). For more detailed material information & specifications see [www.stmichel.co.nz](http://www.stmichel.co.nz)

### VANITY TOPS

St Michel vanity tops are manufactured from the finest materials and when treated with care will last for many years. Do not subject the wash basin or vanity top to water at a temperature above 55°C. Never use aggressive cleaning agents which contain strong solvents such as acid, chlorine, ammonia, drain cleaner, caustic soda, isopropyl alcohol or abrasive agents. Carefully read the cleaner product label to ensure the cleaner is safe for use on the material. Lime scale marks may be reduced by regular cleaning of the washbasin. Keep high heat away from the vanity top or wash basin and avoid metal or other sharp objects which could scratch and damage the surface.

\*Handy Tip – Stubborn lime scale marks can normally be removed using a solution of vinegar and water

To clean your vanity top simply wipe with a damp cloth after each use. For regular cleaning, we recommend using a soft cloth, wrung in hot water with a mild all-purpose cleaning agent. Then wipe clean with a damp cloth wrung in clean water to remove the cleaning agent and to avoid stains and stripes. For more help in removing stubborn stains and scratches refer to our product videos at [www.stmichel.co.nz](http://www.stmichel.co.nz)

### CABINETS

St Michel cabinets are manufactured from high quality, locally sourced materials. These materials are water resistant and not water proof. To ensure the long life of the cabinet, water must not be allowed to remain on the cabinet surfaces. All water spillages, leaks or flooding in or around the cabinet must be sponged off and dried immediately. Keep heat away from the cabinetry and avoid metal or other sharp objects which could scratch and damage the surface. Do not use abrasive cleaning agents which contain ammonia, bleach or other strong solvents. We also advise against the use of furniture polish, acetone, ethanol, benzene and coarse cleaning sponges. Carefully read the cleaner product label to ensure the cleaner is safe for use on the material.

For regular cleaning, we recommend cleaning with a soft cloth, wrung in hot water with a mild all-purpose cleaning agent. Cabinetry with structured surfaces is best cleaned along the structure to remove any dirt. Wipe clean with a damp cloth wrung in clean water to remove the cleaning agent and to avoid stains and stripes. For more help in removing stubborn stains refer to our product videos at [www.stmichel.co.nz](http://www.stmichel.co.nz)

### CLAIM PROCEDURE

For all warranty queries customers are to contact the branch where the product was purchased. These details can be found on your purchase invoice

**Don't risk it, use a licensed plumber.™**

