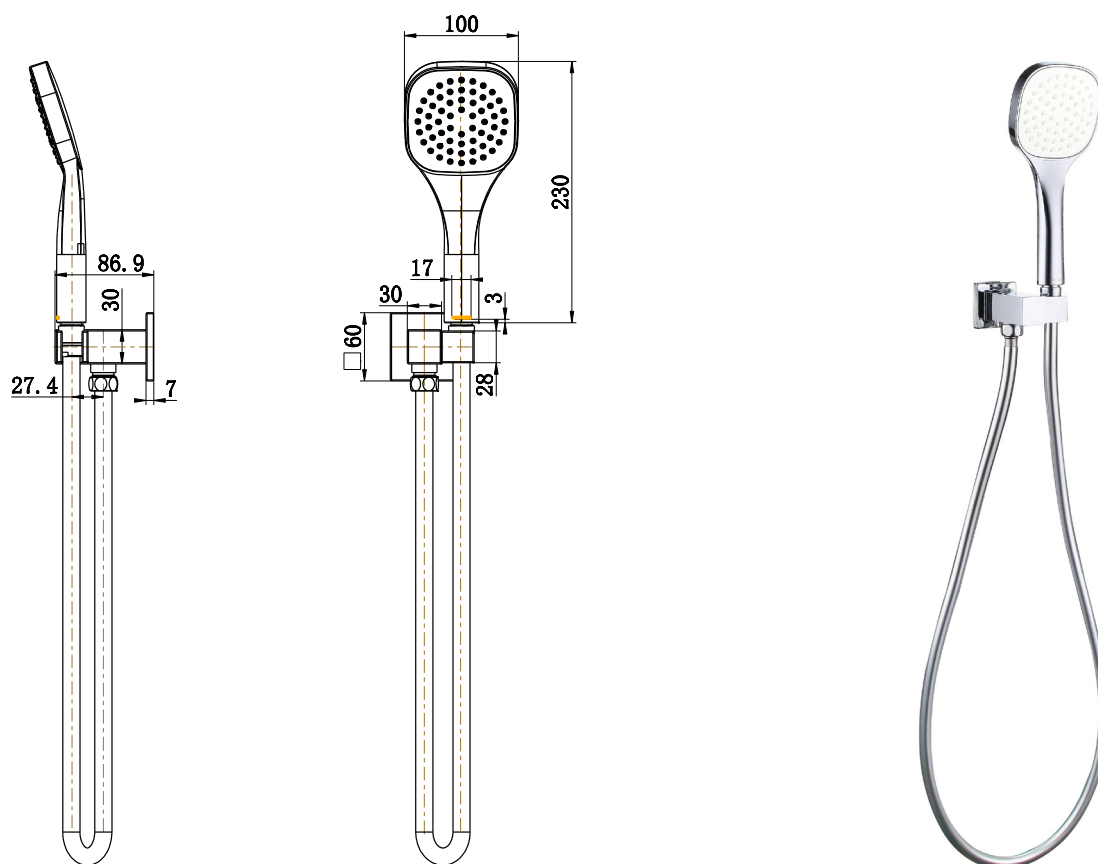


MIZU

BLOC HAND SHOWER WITH WALL BRACKET

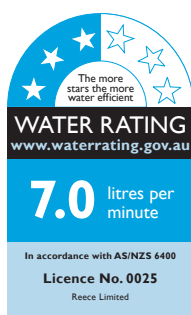


Dimensions are nominal measurements only.

To see the complete MIZU range go to www.reece.com.au/bathrooms

SPECIFICATIONS

Recommended use	Domestic, hotel and commercial
Colour availability	Chrome
Hand Shower Face Colour	White
Pressure rating	<p>Maximum continuous operating pressure 1000kPa.</p> <p>As per AS/NZS3500 pressure must be limited to 500kPa on any new home, extension or renovation.</p> <p>For best performance and longer life we recommend 150-500kPa.</p> <p>Hot and cold water inlet pressure should be equal.</p>
Temperature rating	Maximum continuous working temperature 80° C
Suitable Hot Water Units	As per AS3662, please note that high pressure showers may not be suitable for use with gravity-fed water heaters, low pressure supply networks and instantaneous water heaters.



Disclaimer: Products in this specification manual must by regulation be installed by licensed and registered trade people. The manufacturer/distributor reserves the right to vary specifications or delete models from their range without prior notification. Dimensions are nominal measurements only. Dimensions and set-outs listed are correct at time of publication however the manufacturer/distributor takes no responsibility for printing errors.

Tech Page Version 1

m i z u

reece

MIZU

BLOC HAND SHOWER WITH WALL BRACKET

CLEANING RECOMMENDATIONS

We recommend the use of soapy water or approved cleaners.

This product should not be cleaned with abrasive materials.

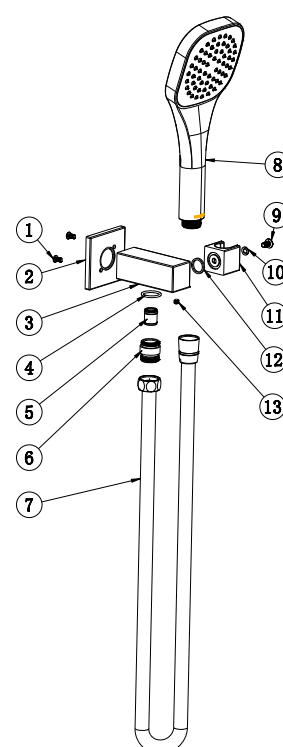
Damage caused by any improper treatment is not covered by the product warranty- refer to Warranty Conditions.

INSTALLATION INSTRUCTIONS

Important Note

Product must be installed by a qualified licensed plumber. All connections must be checked for leaks and is the responsibility of the installer to ensure a waterproof seal has been achieved.

1. If retrofitting, unscrew your old shower anti-clockwise to remove
2. Clean the exposed threaded water supply and bind clockwise with thread sealing tape (NOTE: Ensure that male-threaded water supply is no longer than 20mm off the finished wall)
3. Fit elbow (3) to the wall (Hand-tighten only)
4. Ensure that the elbow hose connection (6) is vertical so that the hose hangs straight down
5. Connect the hose (7) and handset (8) using the washers supplied (Hand-tighten only)



Plumbers, please ensure a copy of the installation instructions is left with the end user for future reference

m i z u

reece