

Roca Meridian In-Tank Back to Wall with Soft Close Seat White (4*)

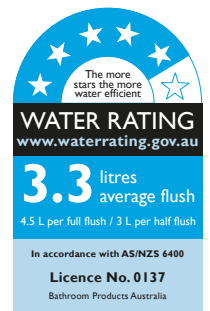
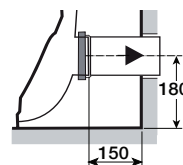
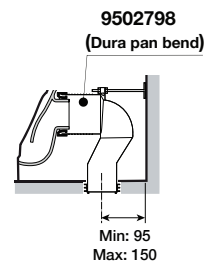
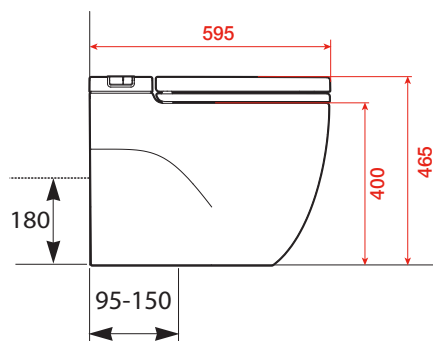
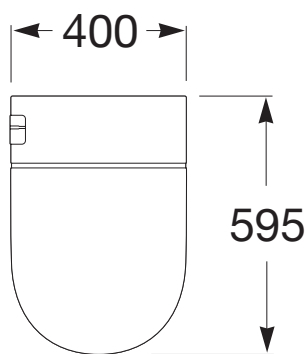
SPECIFICATIONS

Recommended Use	Domestic, Hotel & Commercial
Material	Vitreous China
Colour	White
Weight of Pan	45kg
Water Inlet Position	Back Inlet
Inlet Valve Pressure Rating	500kPa
Toilet Seat	Matching top-fix, soft close seat supplied with the suite
Rim Configuration	Box Rim
Outlet Type	Universal S & P
S Trap Setout	95-150mm
P Trap Setout	180mm
Pan Fixing	Pan screwed to wall using fixing (supplied) and bedded with sealant
Electrical	240V, 50Hz, 17W, IPX4
Installation	As per AS/NZS 3500 and AS/NZS 3000
Standards	IEC 60335.1 IEC 60335.2.84 EN 55014.1


WARRANTY

Warranty - Domestic Use	7 Years
Spare Parts & Labour	12 Months

Please refer to Warranty Page for full Terms and Conditions



Dimensions are nominal measurements only.

Disclaimer: Products in this specification manual must by regulation be installed by licensed and registered trade people. The manufacturer/distributor reserves the right to vary specifications or delete models from their range without prior notification. Dimensions are nominal measurements only. Dimensions and set-outs listed are correct at time of publication however the manufacturer/distributor takes no responsibility for printing errors.

Published 19/10/2018

To see the complete Roca range go to www.reece.com.au/bathrooms

