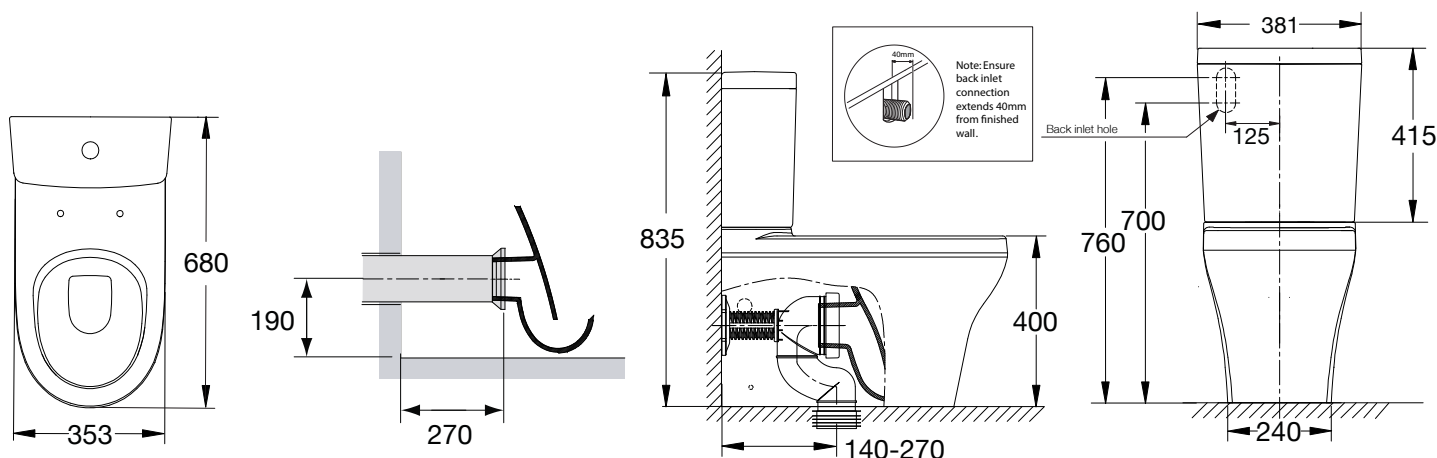


AMERICAN STANDARD

CYGNET CLOSE COUPLED BACK TO WALL TOILET SUITE (BACK INLET)



Dimensions are nominal measurements only.

SPECIFICATIONS

| | |
|-----------------------------|--|
| Recommended use | Domestic, Hotel & Commercial |
| Material | Pan: Vitreous China Cistern: Vitreous China Seat: Polypropylene |
| Colour | Pan: White Cistern: White Seat: White |
| Weight | Pan: 34 kg Cistern: 13 kg |
| Water Inlet Position | Back Inlet |
| Inlet Valve | Recommended maximum working pressure 500kpa |
| Bowl Configuration | P trap (converts to S Trap using plastic s bend provided) |
| Rim Configuration | Box Rim |
| Seat | Soft Close Quick Release Seat |
| Cistern Fixing | Bolted directly to pan |
| Pan Fixing | Screwed to the floor using brackets (supplied) and bedded with sealant |



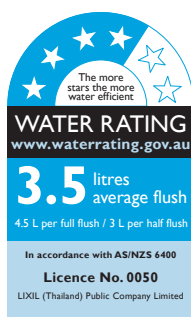
To see the complete AMERICAN STANDARD range go to www.reece.com.au/bathrooms

CLEANING RECOMMENDATIONS

We recommend the use of soapy water or approved cleaners.

This product should not be cleaned with abrasive materials.

Damage caused by any improper treatment is not covered by the product warranty. Refer to Warranty Conditions.



Disclaimer: Products in this specification manual must by regulation be installed by licensed and registered trade people. The manufacturer/distributor reserves the right to vary specifications or delete models from their range without prior notification. Dimensions are nominal measurements only. Dimensions and setouts listed are correct at time of publication however the manufacturer/distributor takes no responsibility for printing errors.

Tech Page Version 1



AMERICAN STANDARD CYGNET CLOSE COUPLED BACK TO WALL TOILET SUITE (BACK INLET)

INSTALLATION INSTRUCTIONS

Unit: mm

1

2

3

4

5a

5b

6a

| ROUGHING - IN (A) | CONNECTOR CUTOUT (B) |
|-------------------|----------------------|
| 140-150 mm. | 10 mm. |
| 151-159 mm. | 20 mm. |

6b

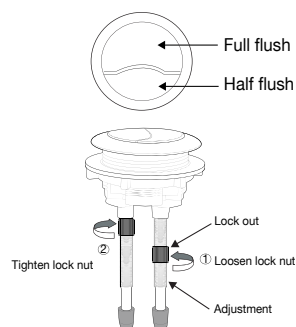
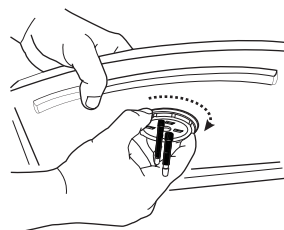
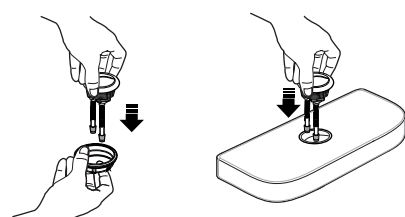
| ROUGHING - IN (A) | CONNECTOR CUTOUT (B) | ROUGHING - IN (A) | CONNECTOR CUTOUT (B) |
|-------------------|----------------------|-------------------|----------------------|
| 160-170 mm. | 30 mm. | 211-220 mm. | 80 mm. |
| 171-180 mm. | 40 mm. | 221-230 mm. | 90 mm. |
| 181-190 mm. | 50 mm. | ∅ | ∅ |
| 191-200 mm. | 60 mm. | 261-270 mm. | 130 mm. |
| 201-210 mm. | 70 mm. | C=116 - (A-160) | |

AMERICAN STANDARD CYGNET CLOSE COUPLED BACK TO WALL TOILET SUITE (BACK INLET)

INSTALLATION INSTRUCTIONS

| | |
|------------------|------------------|
| <p>7</p> | <p>8</p> |
| <p>9</p> | <p>10</p> |
| <p>11</p> | <p>12</p> |
| <p>13</p> | <p>14</p> |

PUSH BUTTON ASSEMBLY AND ADJUSTMENT

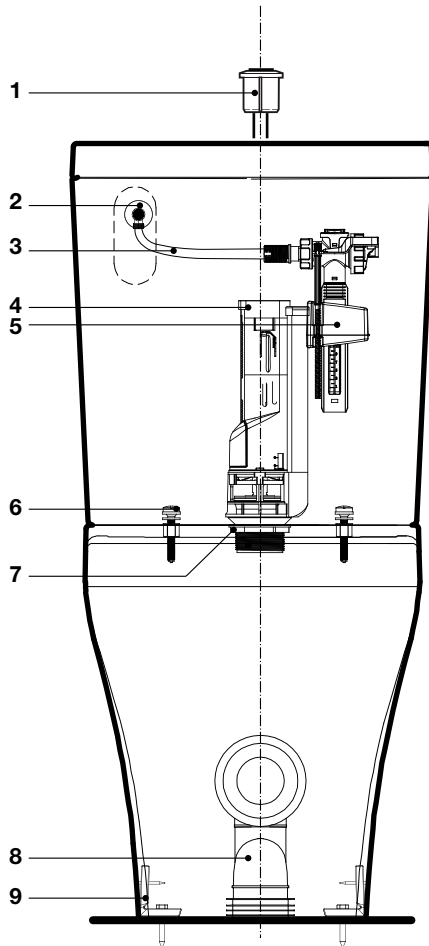


Ensure button rods are aligned with full & 1/2 flush on outlet valve.

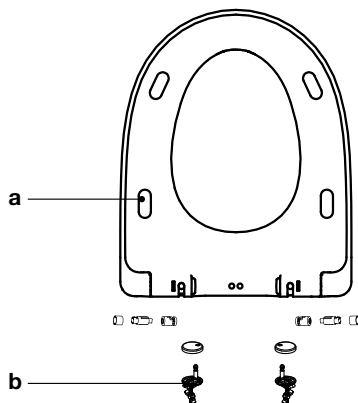
AMERICAN STANDARD

CYGNET CLOSE COUPLED BACK TO WALL TOILET SUITE (BACK INLET)

SPARE PARTS



| | |
|-------------|--|
| 1 - 9504479 | FLUSH BUTTON KIT |
| 2 - 103510 | MINI STOP CHROME 15MM |
| 3 - 107616 | FLEX HOSE WATER (PVC) 1/2"ELB 300MM |
| 4 - 1817018 | DUAL FLUSH OUTLET VALVE COMPLETE |
| 5 - 9500475 | SIDE/BACK INLET VALVE |
| 6 - 9504528 | TOP FIX CISTERN BOLTS (PAIR) |
| 7 - 9506467 | CC CISTERN TO PAN RUBBER SEAL |
| 8 - 9503902 | PAN BEND |
| 9 - 9500851 | PAN FIXING BRKT &COVER |



| | |
|-------------|---|
| a - 9505886 | BUFFER KIT |
| b - 9505887 | SEAT HINGE KIT INCLUDES - FIXING KIT & SOFT CLOSE REPLACEMENT KIT |