




IN-WASH® INSPIRA SMART TOILET CLOSE COUPLED BACK TO WALL (4*)

INSTALLATION INSTRUCTIONS

- Before installation, read this installation manual thoroughly and the included safety precautions. Parts must be installed according to the instructions.
- Rain water or grey water is not suitable to operate this equipment. The **In-Wash®** shower toilet may only be operated with normal drinking water.
- Do not damage electrical connection components.
- The recommended water supply pressure is 150 kPa to 500 kPa max. Operate equipment within the recommended water pressure.
- Water supply temperature must be between 10 - 30°C. Ensure the correct water temperature is maintained.
- Do not use a water supply hose other than the one provided with this product.
- Make sure that this product is correctly earthed to ground. (If the product is not earth-connected, there is a risk of electric shock).

- **Dual check valve must be fitted before the cistern stop.**

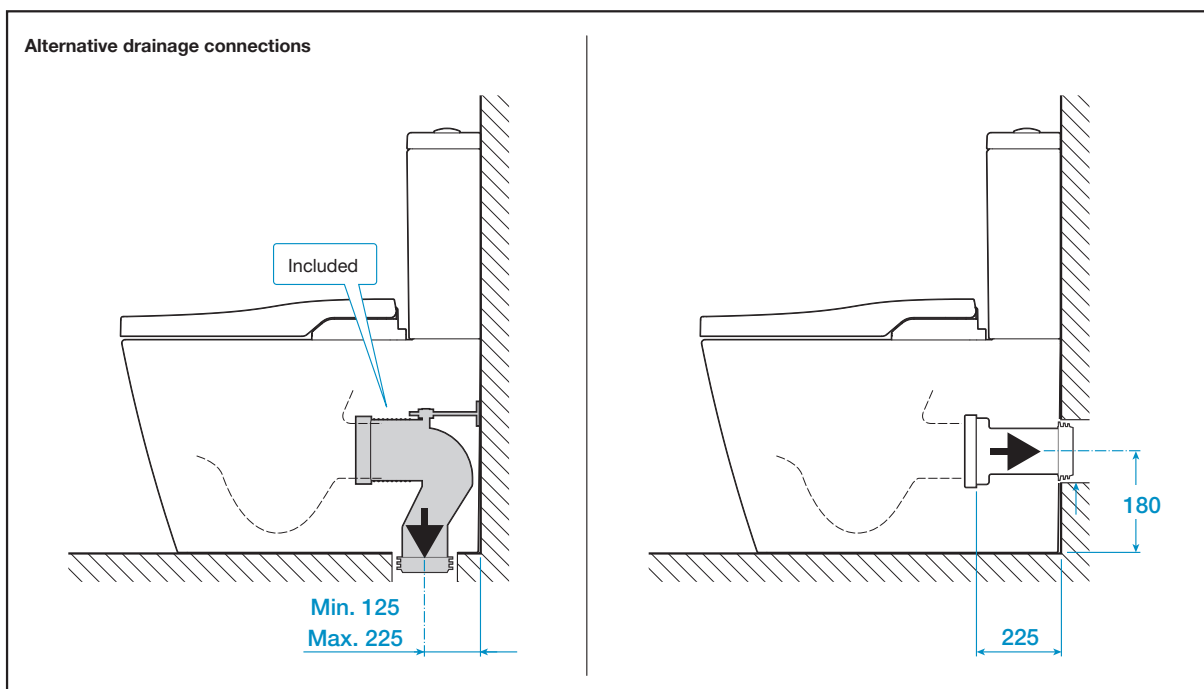
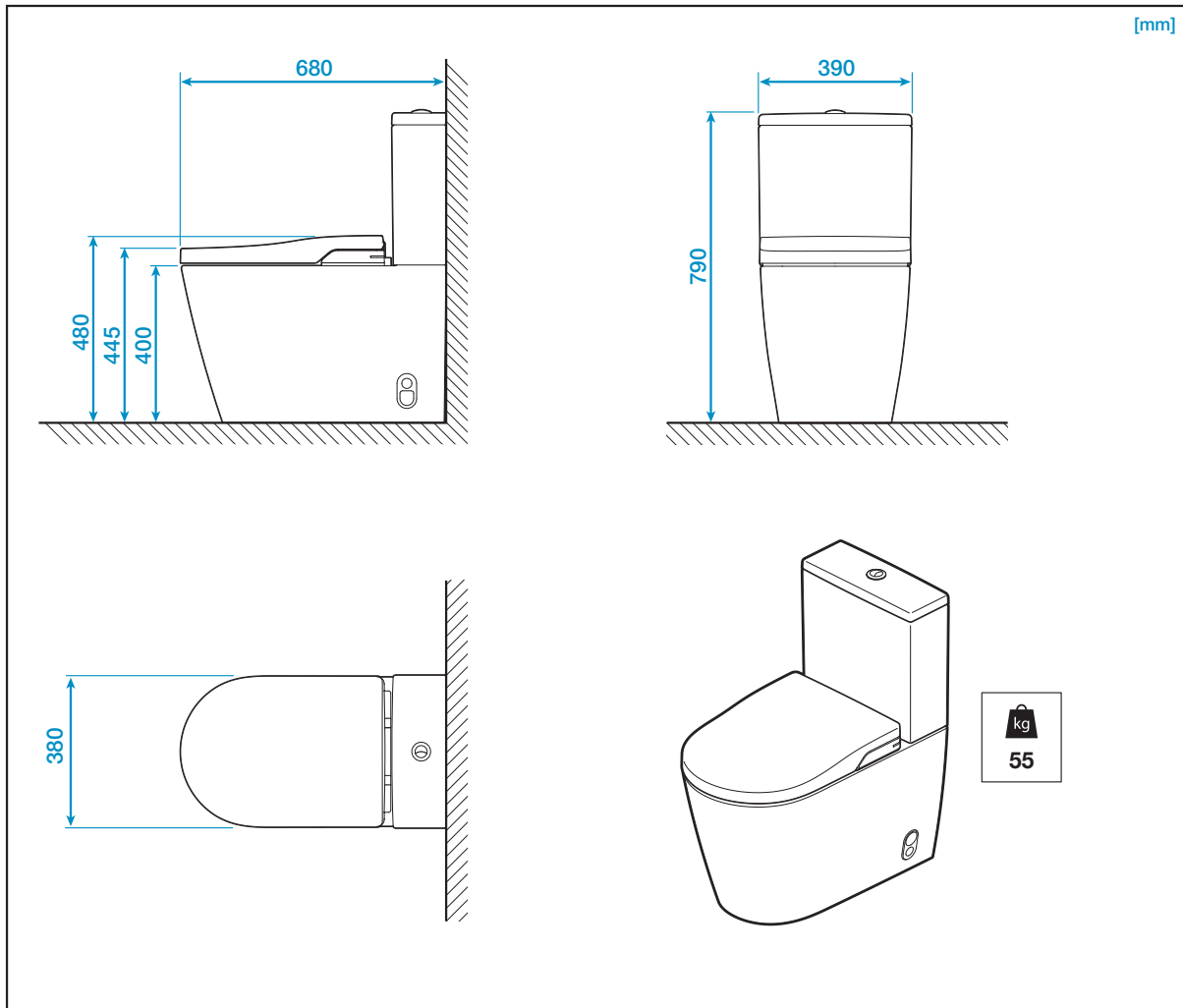
Please note that this product has an Integral High Hazard Backflow Prevention device which complies with the requirements of AS 2845.2 and AS/NZS 3500.1, clause 12.2.3 '1

Technical information	
Power Supply	240V / 50Hz.
Power Wattage	1700 W
IP Rating	IP X4
Note: Any electrical work connected on this project must be installed by qualified personnel, in accordance with AS/NZS 3000 Wiring Rules.	
Certification	
Watermark	AS1172.1/AS1172.2 Certificate No. WMKA0232
WELS	4 Star, 4.5/3 litre, Average Flush 3.3 litre
RCM	



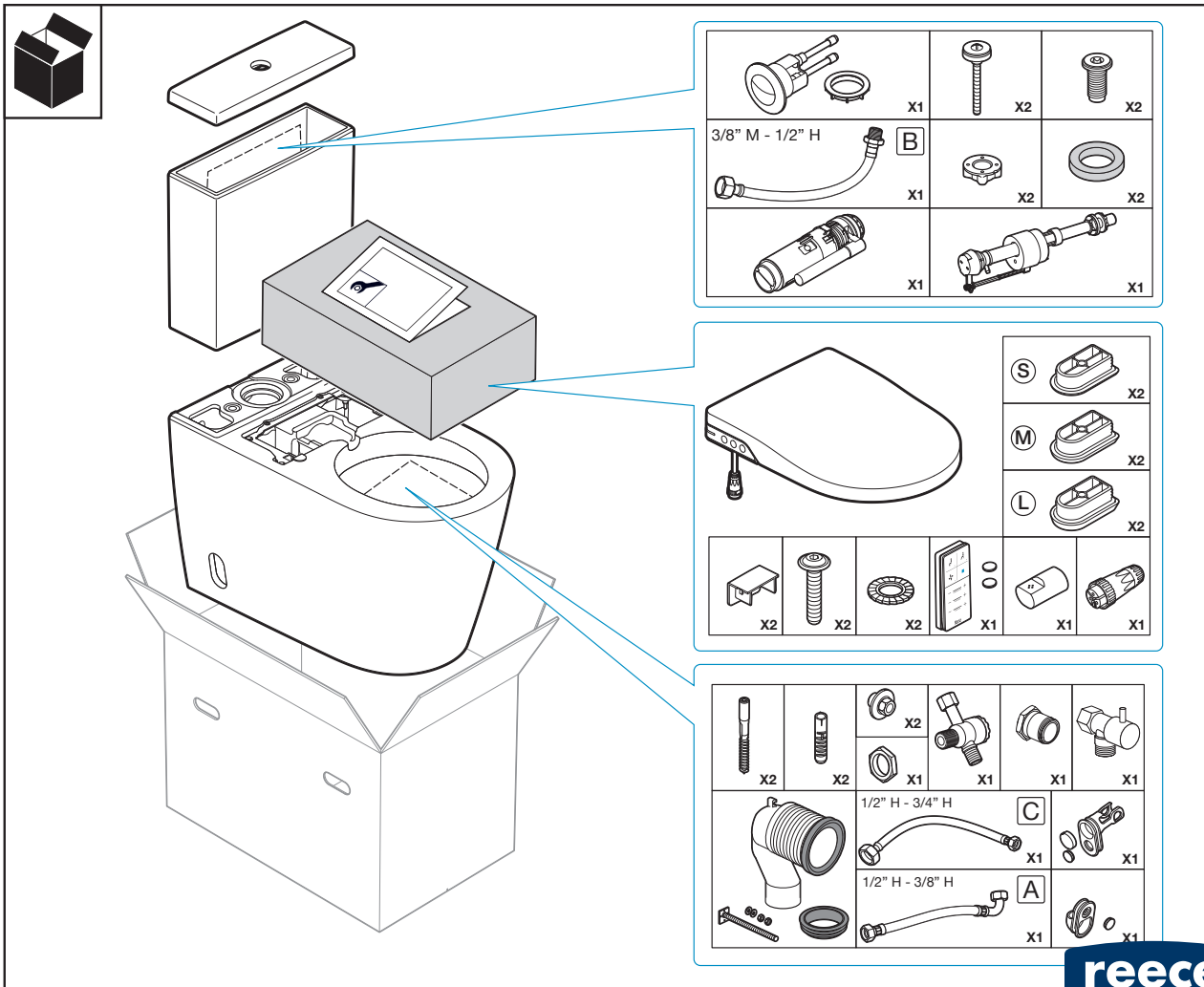
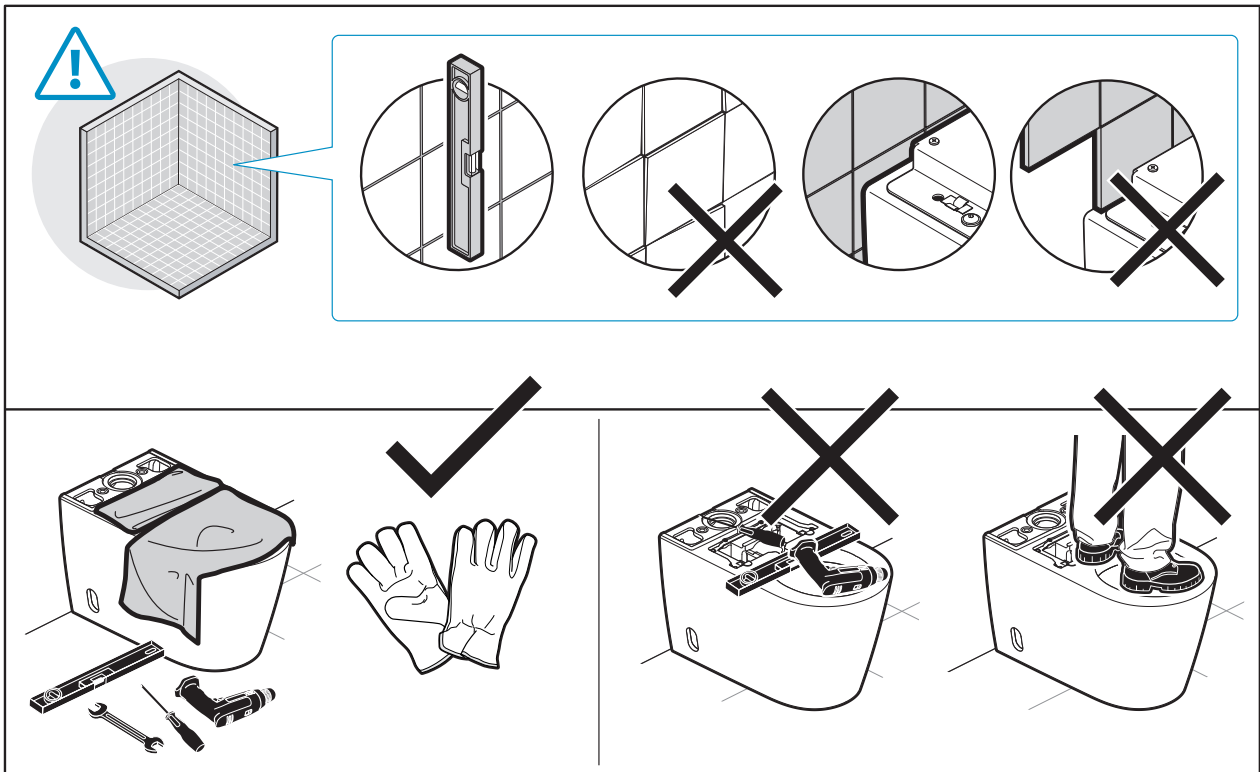
IN-WASH® INSPIRA SMART TOILET CLOSE COUPLED BACK TO WALL (4*)

INSTALLATION INSTRUCTIONS



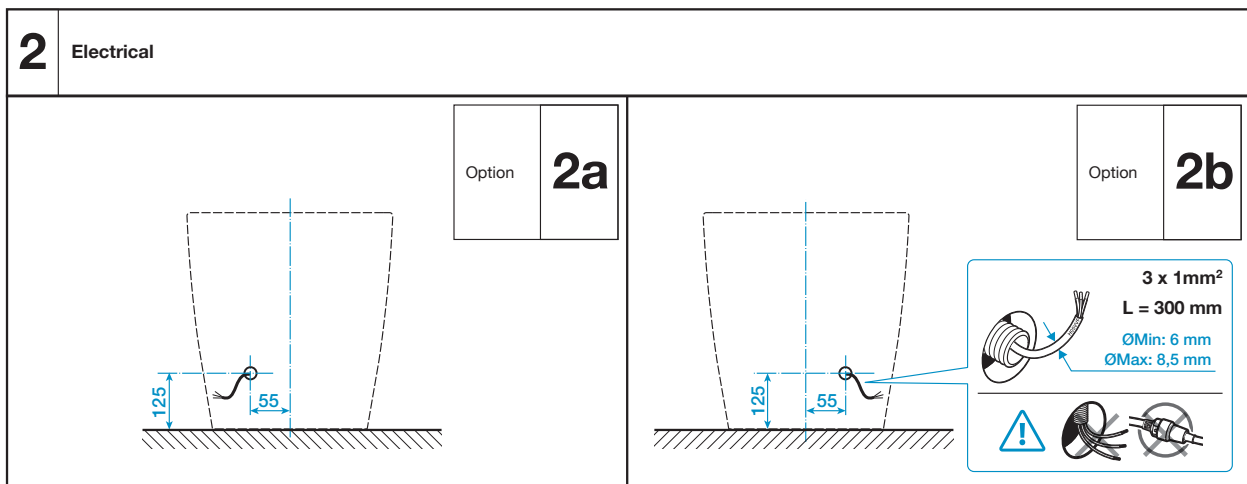
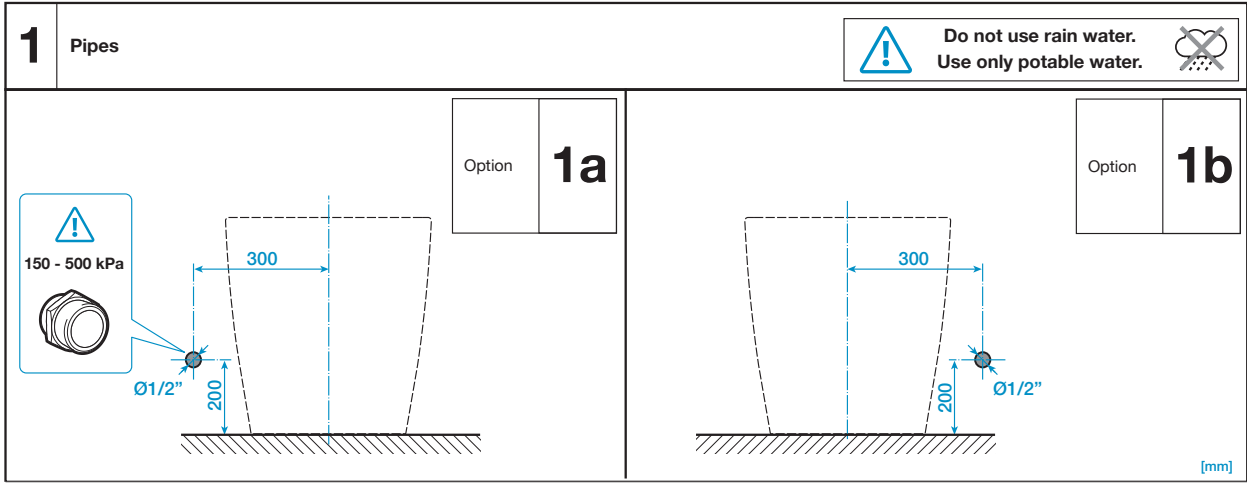


IN-WASH® INSPIRA SMART TOILET CLOSE COUPLED BACK TO WALL (4*)



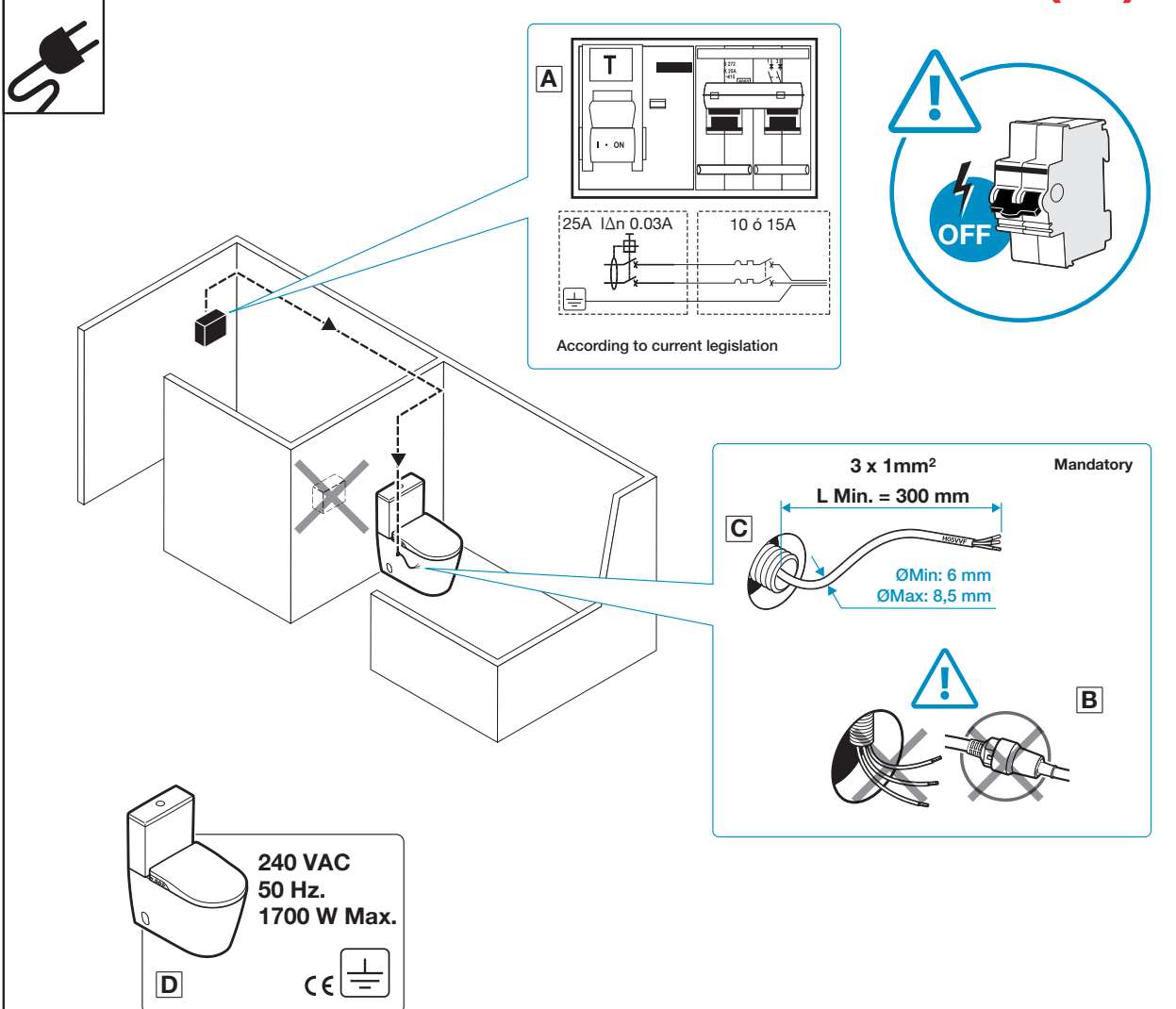


IN-WASH® INSPIRA SMART TOILET CLOSE COUPLED BACK TO WALL (4*)



Roca

IN-WASH® INSPIRA SMART TOILET CLOSE COUPLED BACK TO WALL (4*)



A The electrical installation must be protected by means of a IΔn 0,03A and 25A differential switch and a magnetothermal switch of 10 or 15A. Both switches must be placed outside the bathroom.

B A fixed power connection must be connected by a dedicated flexible power cable consisting of 3 wires (active, neutral, earth) of at least 1mm². The connection must be done inside an IPX4 or better junction box. If it is necessary to replace the power cable, this must be done by qualified service staff.

C 240V, 50Hz.

- Any electrical work conducted on this product must be installed only by qualified personnel, in accordance with AS/NZS 3000 Wiring Rules.

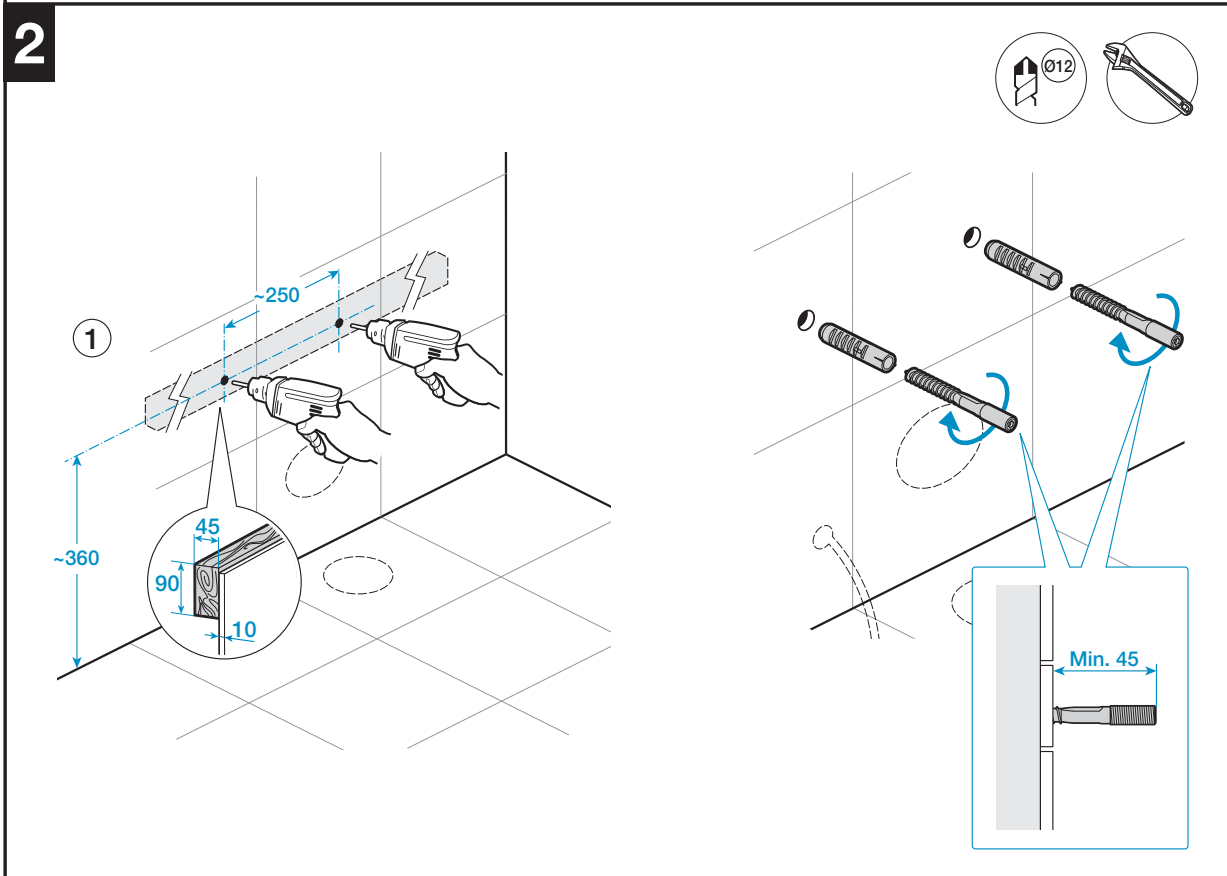
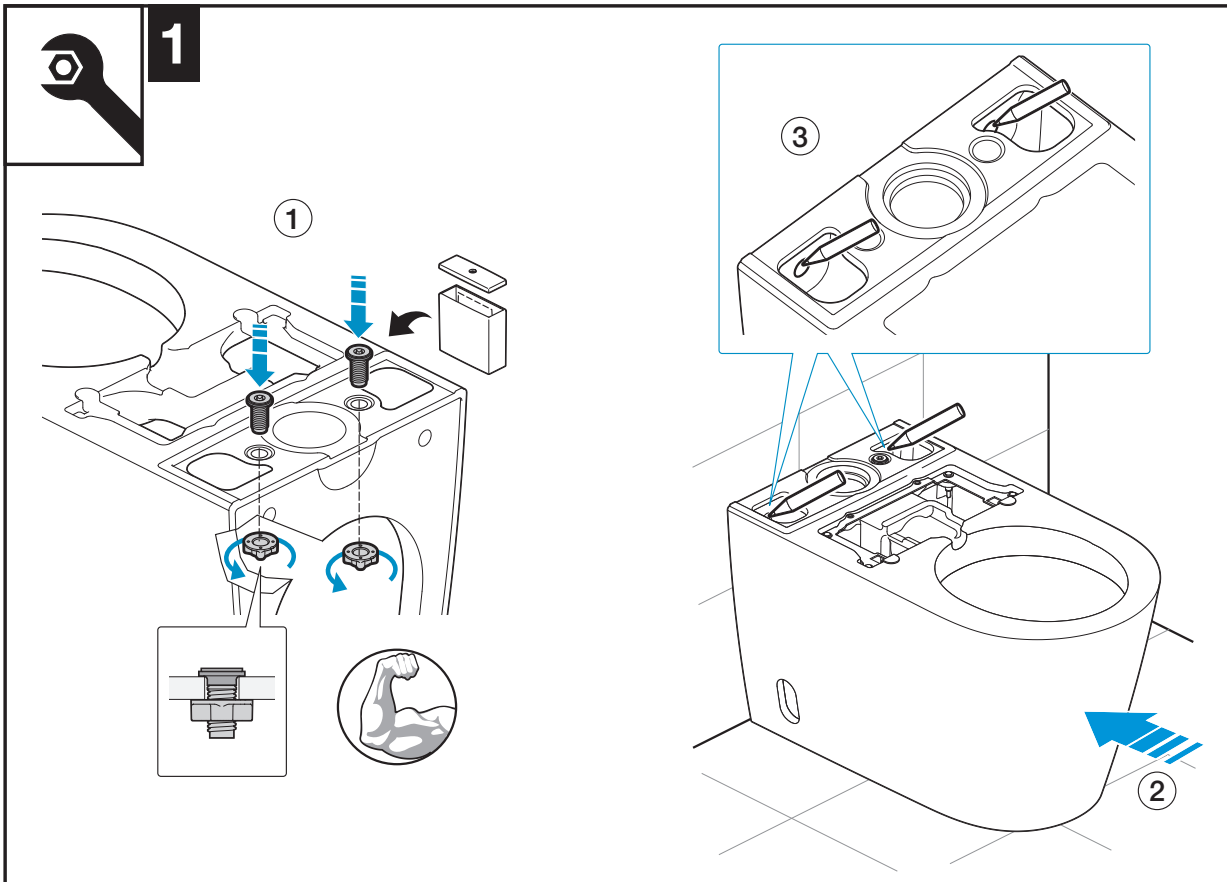
Note - Please consult with a qualified electrician to confirm an appropriate installation location.

- No additional electrical equipment should be fitted inside the WC

- This product (IPX4) shall not be exposed to water jets for cleaning purposes.



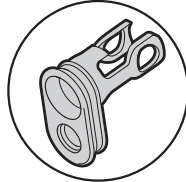
IN-WASH® INSPIRA SMART TOILET CLOSE COUPLED BACK TO WALL (4*)



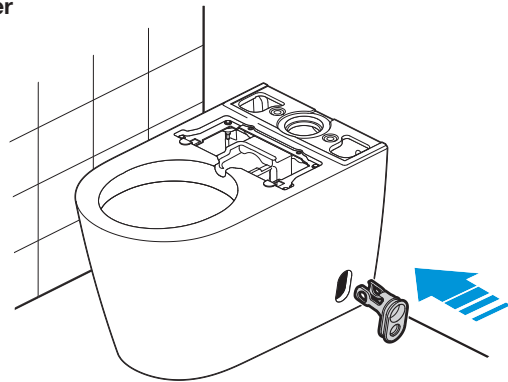
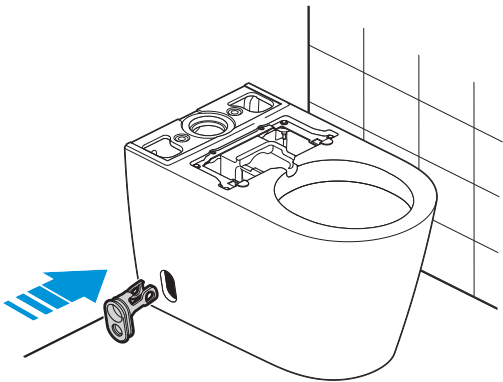


IN-WASH® INSPIRA SMART TOILET CLOSE COUPLED BACK TO WALL (4*)

3

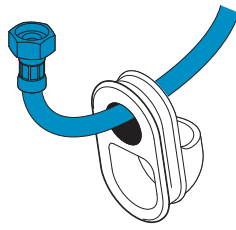
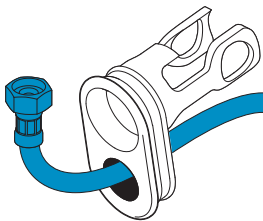


Water filter support

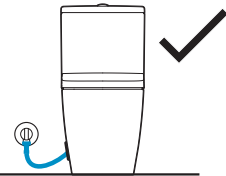


Install the water filter on the most accessible side

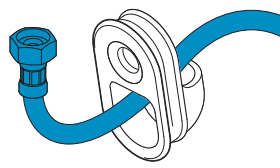
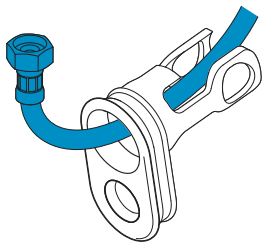
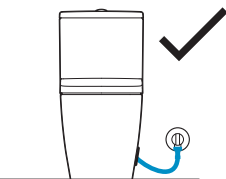
4



a

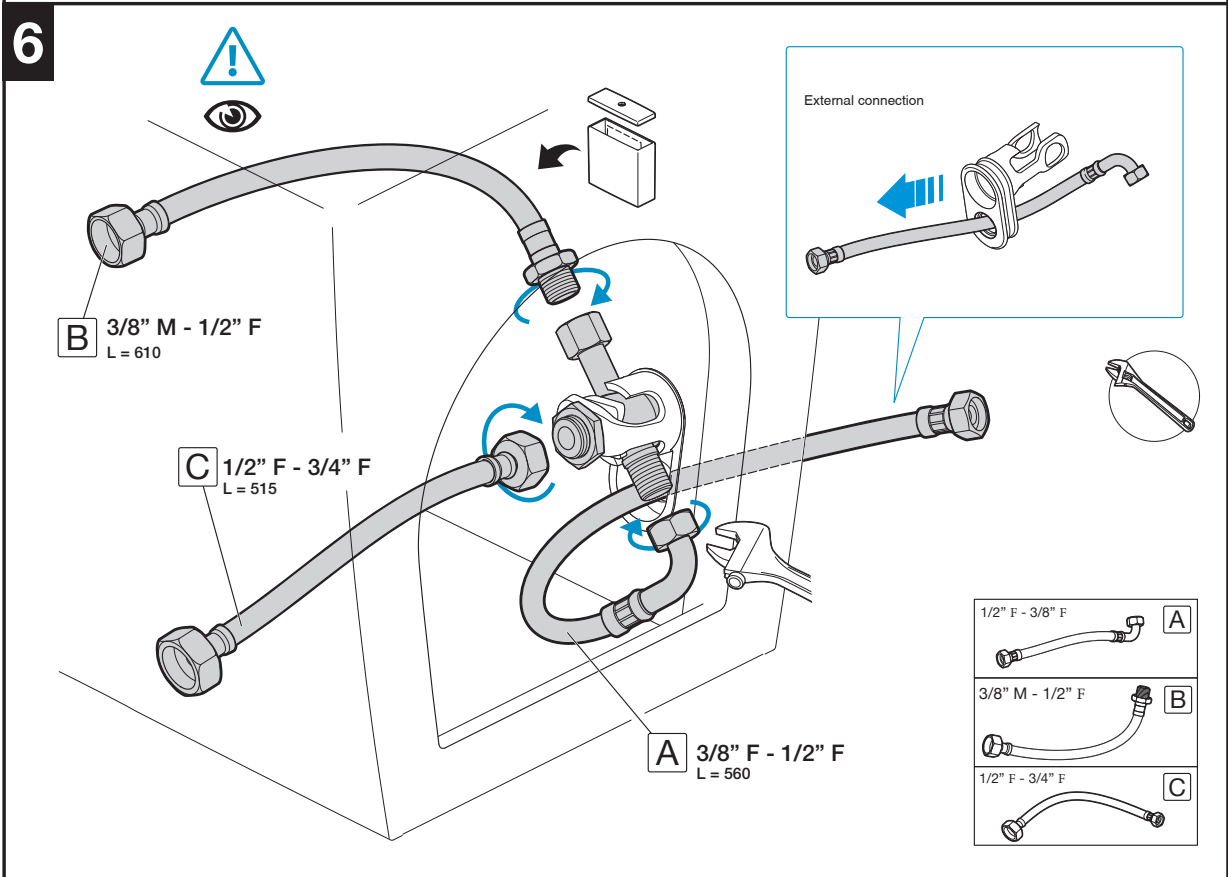
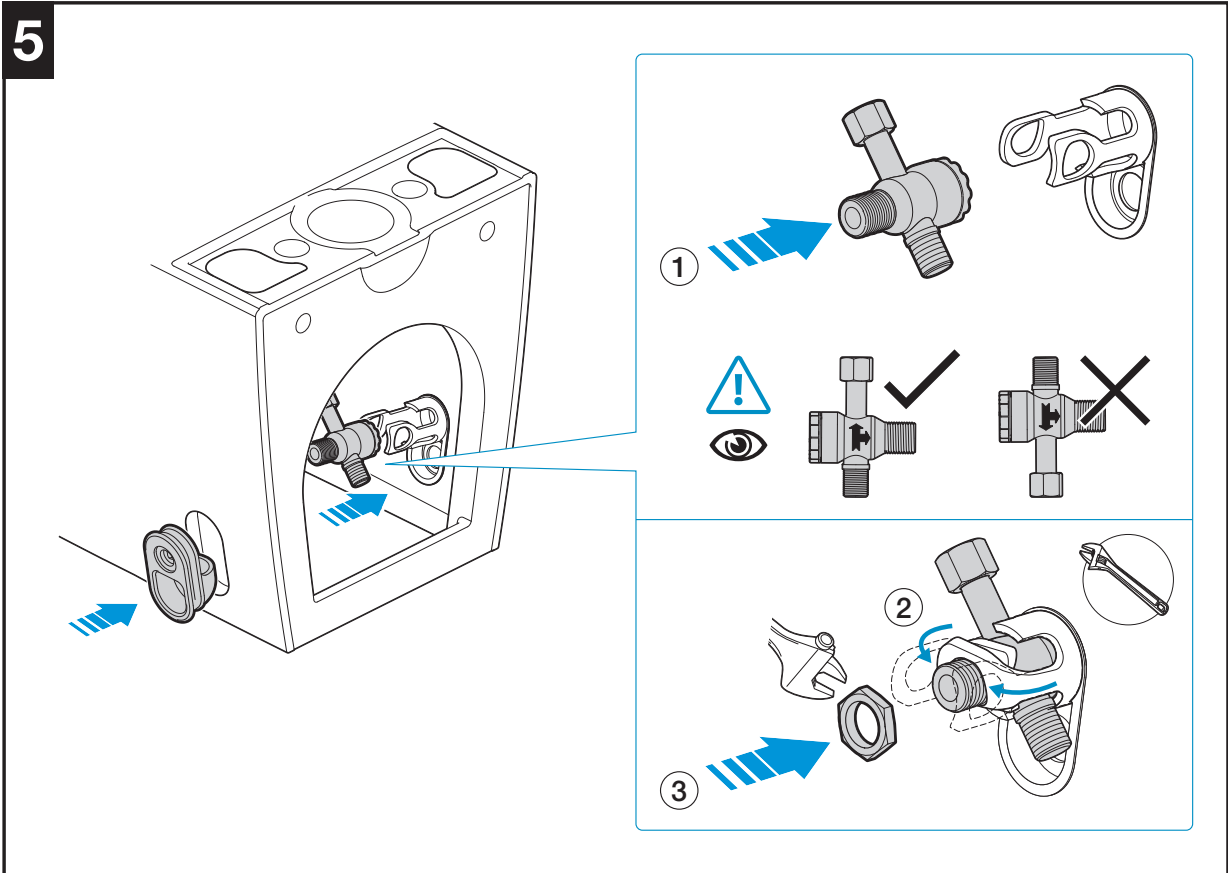


b

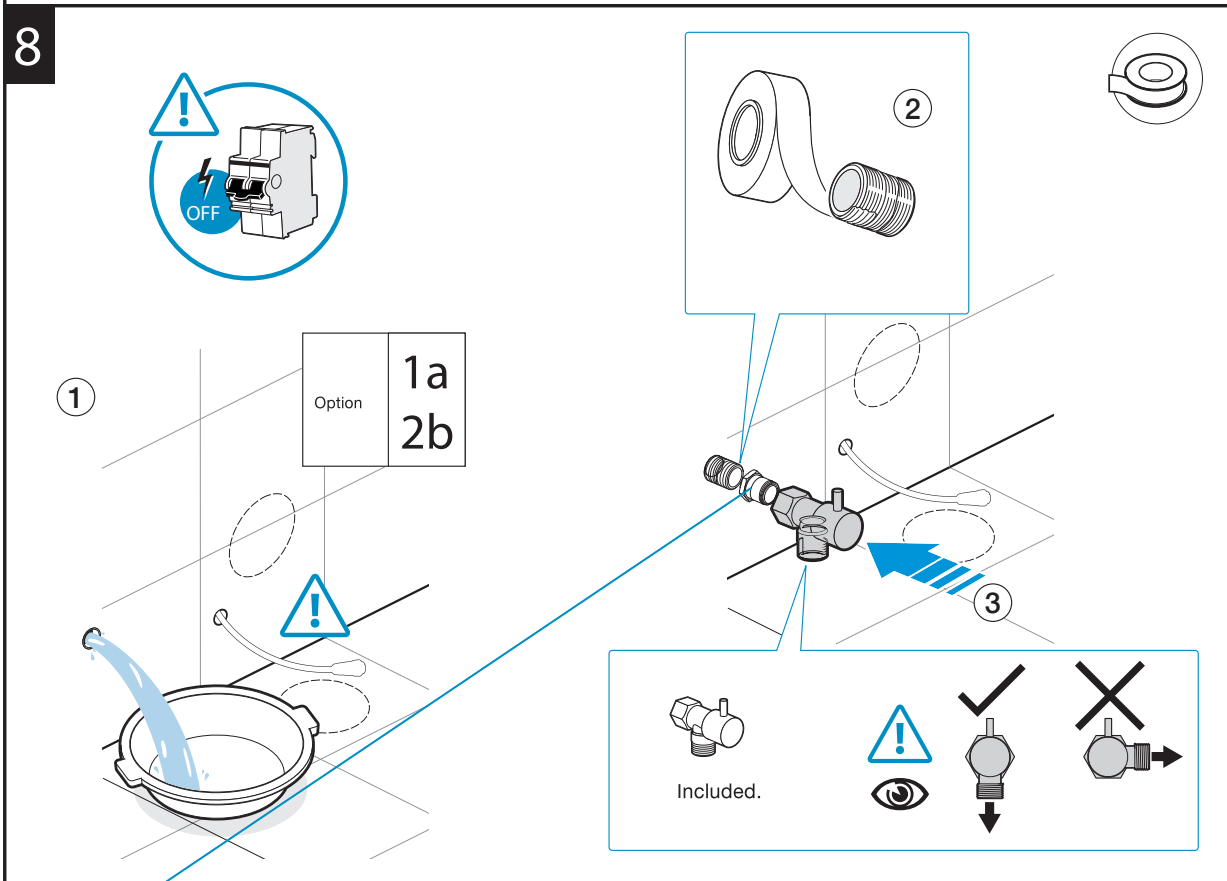
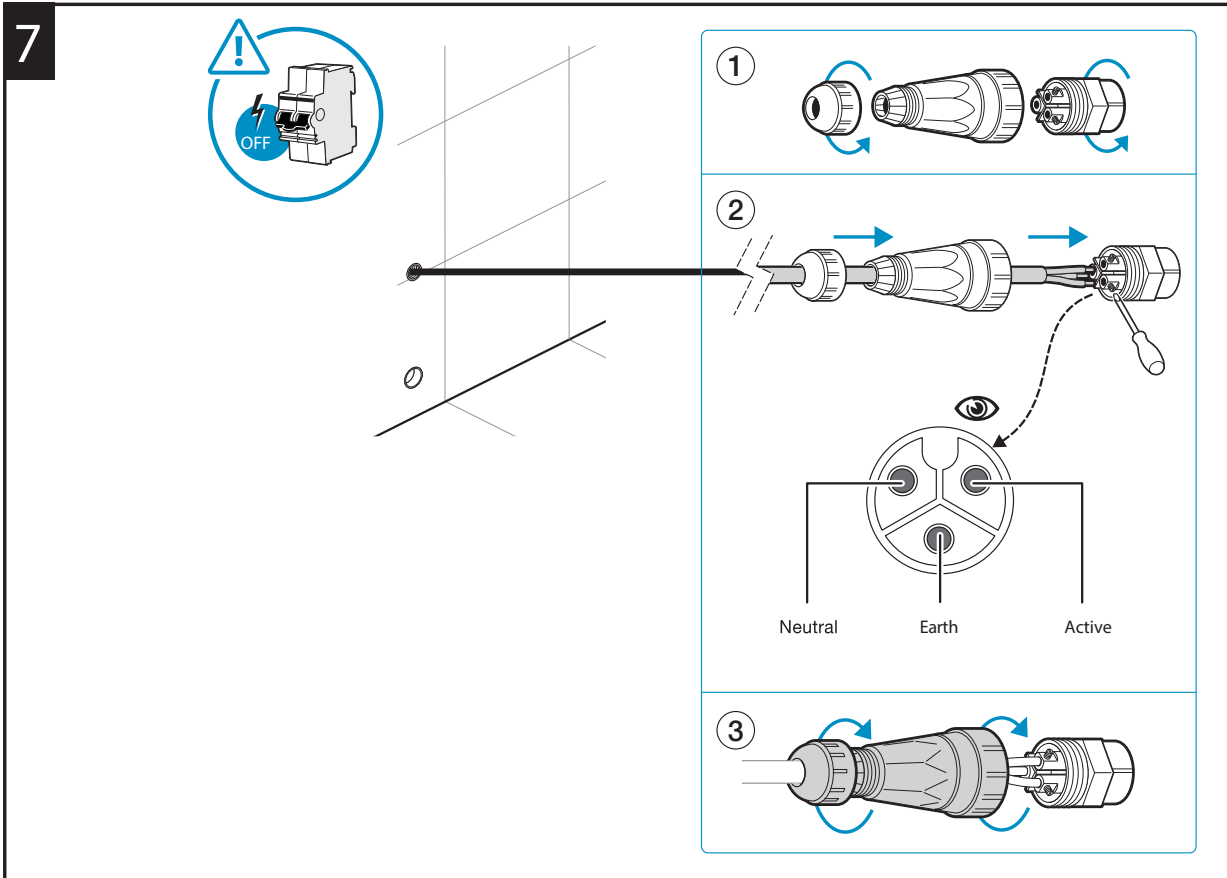




IN-WASH® INSPIRA SMART TOILET CLOSE COUPLED BACK TO WALL (4*)



IN-WASH® INSPIRA SMART TOILET CLOSE COUPLED BACK TO WALL (4*)

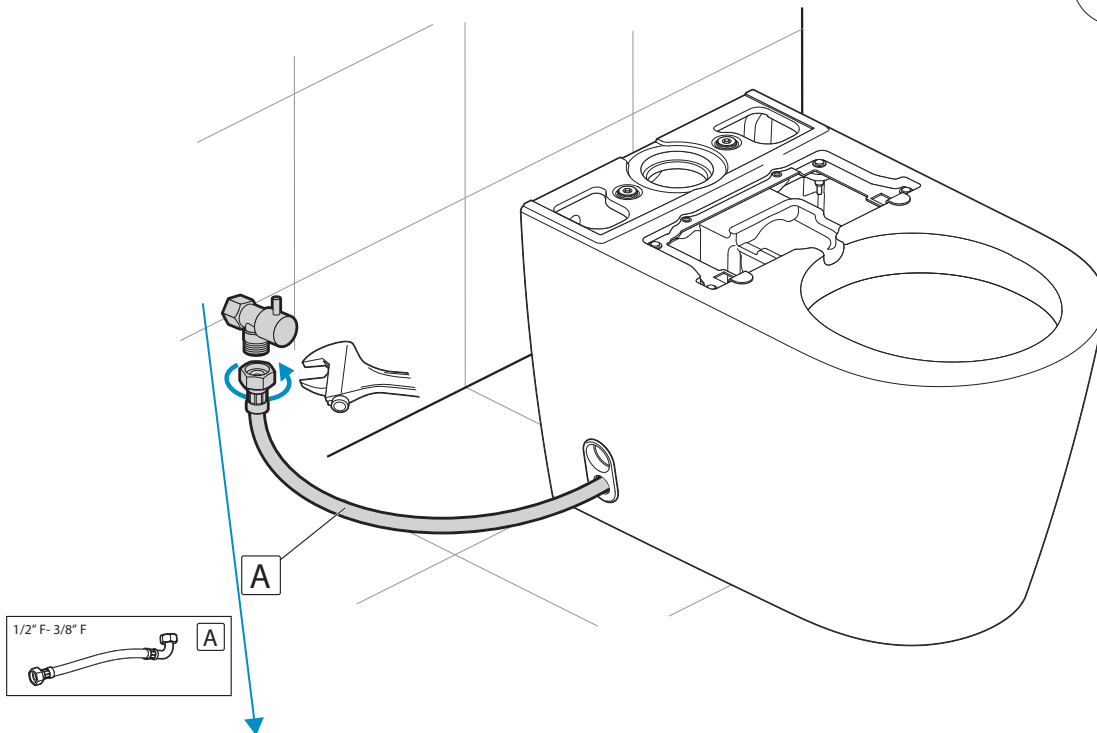


Note: Dual check valve must be fitted before cistern stop



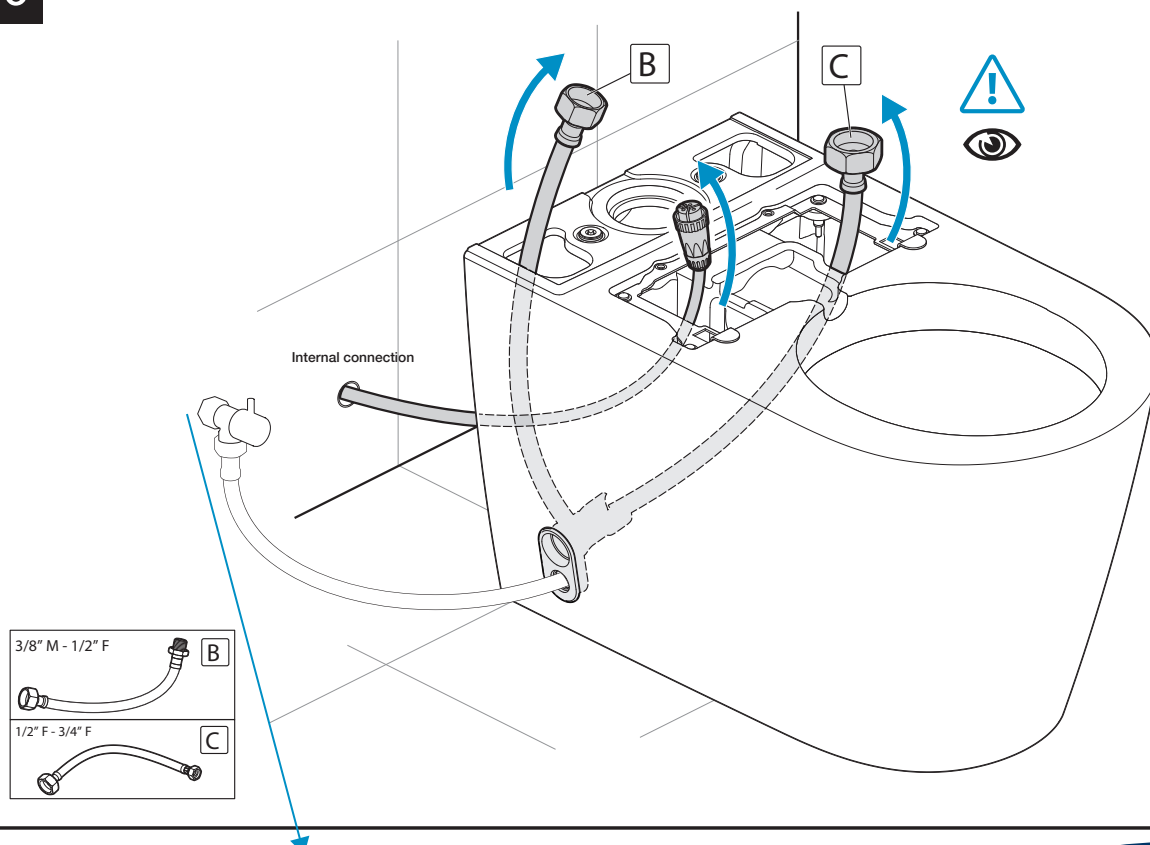
IN-WASH® INSPIRA SMART TOILET CLOSE COUPLED BACK TO WALL (4*)

9



Note: Dual check valve must be fitted before cistern stop

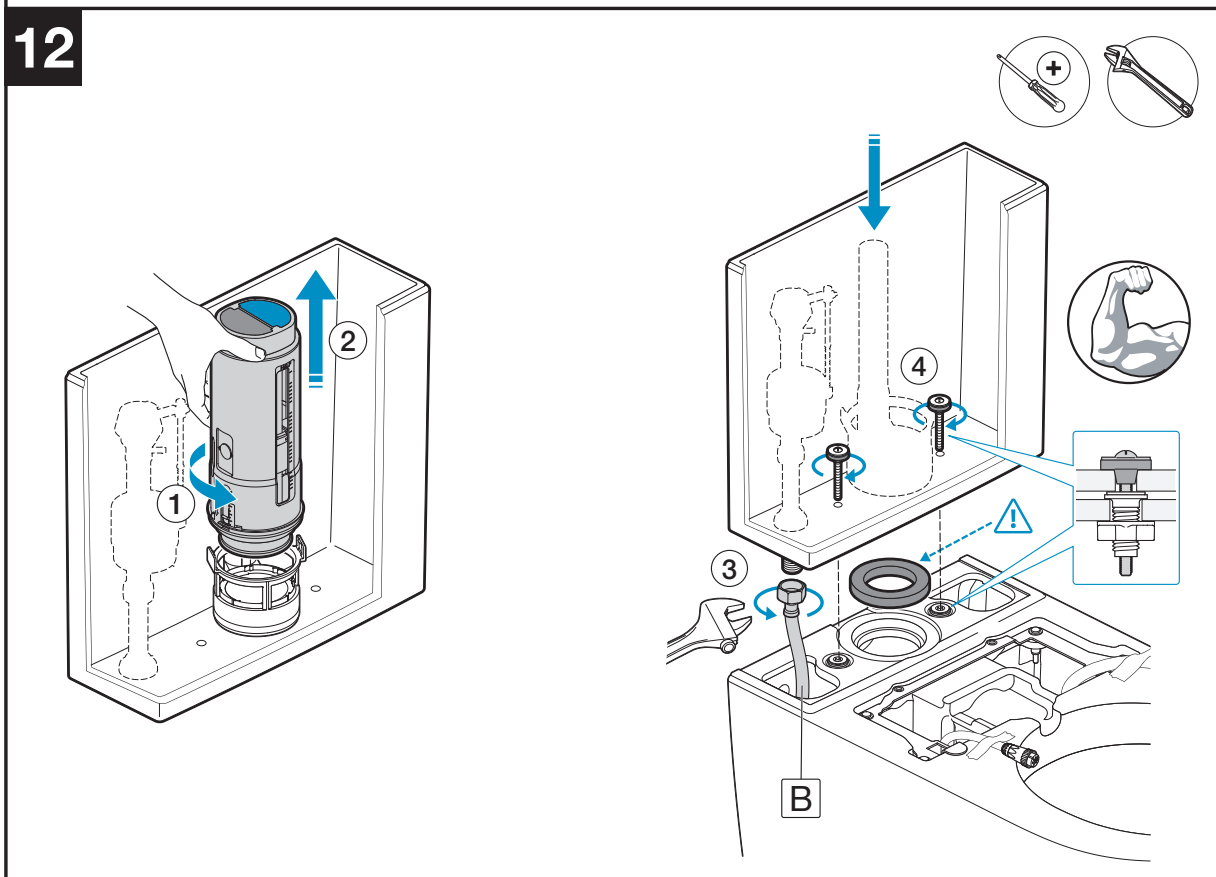
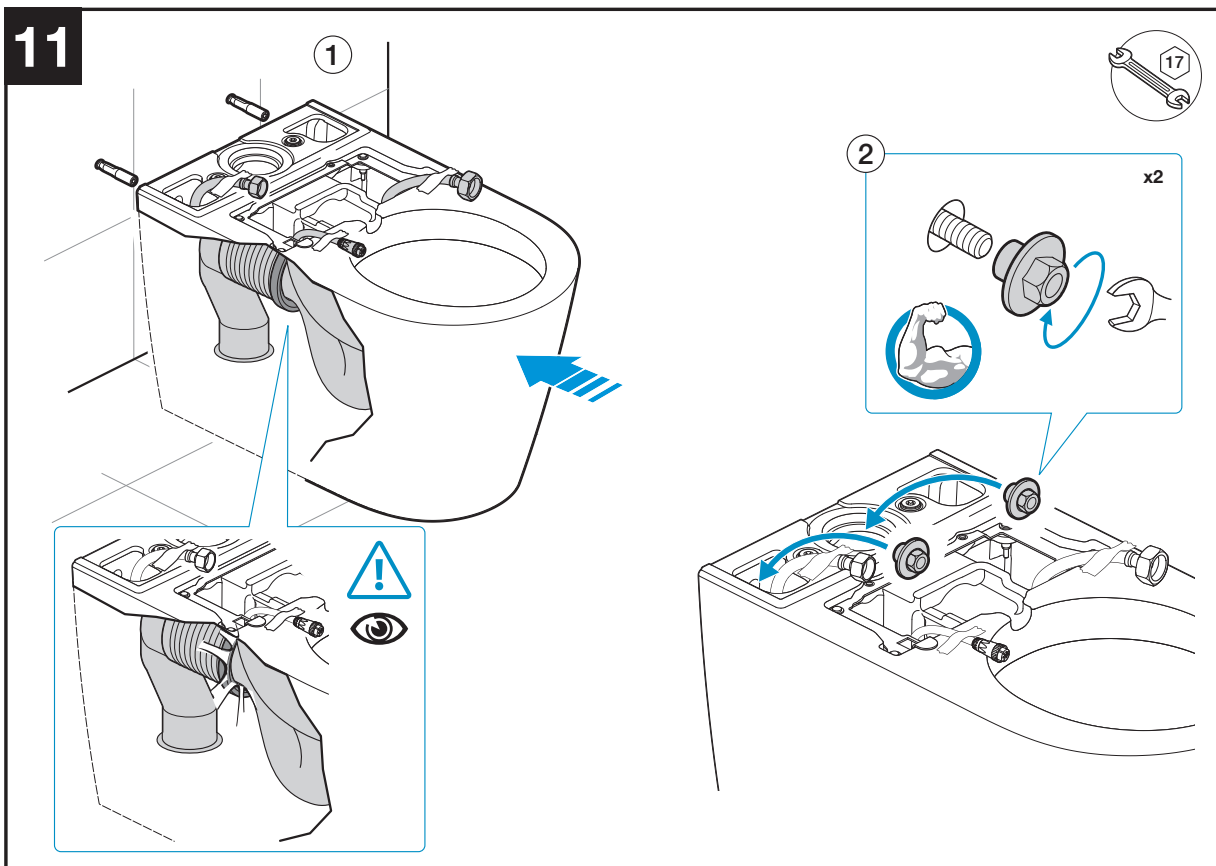
10



Note: Dual check valve must be fitted before cistern stop



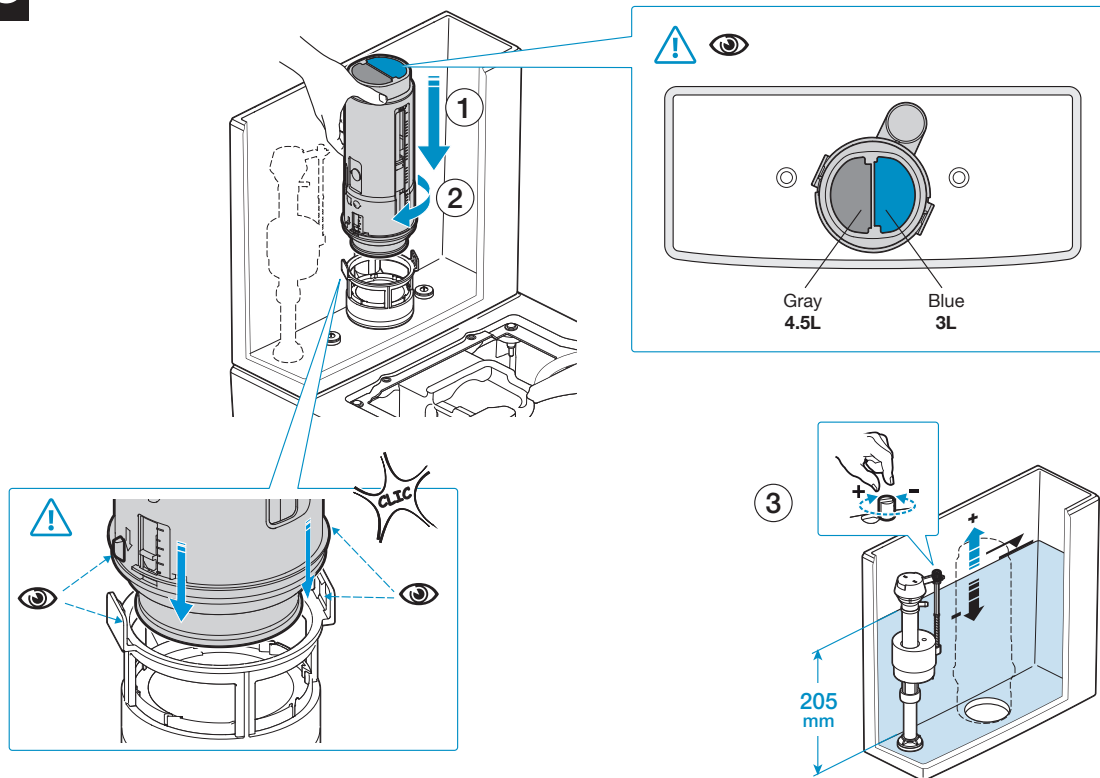
IN-WASH® INSPIRA SMART TOILET CLOSE COUPLED BACK TO WALL (4*)



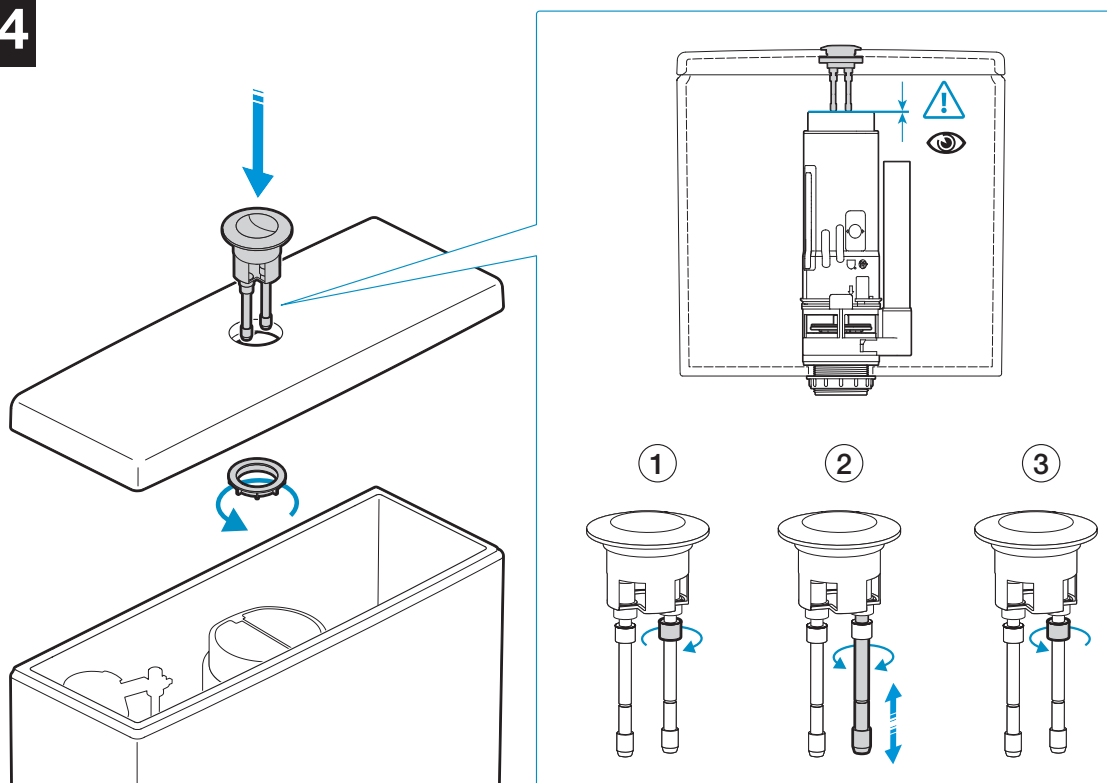


IN-WASH® INSPIRA SMART TOILET CLOSE COUPLED BACK TO WALL (4*)

13



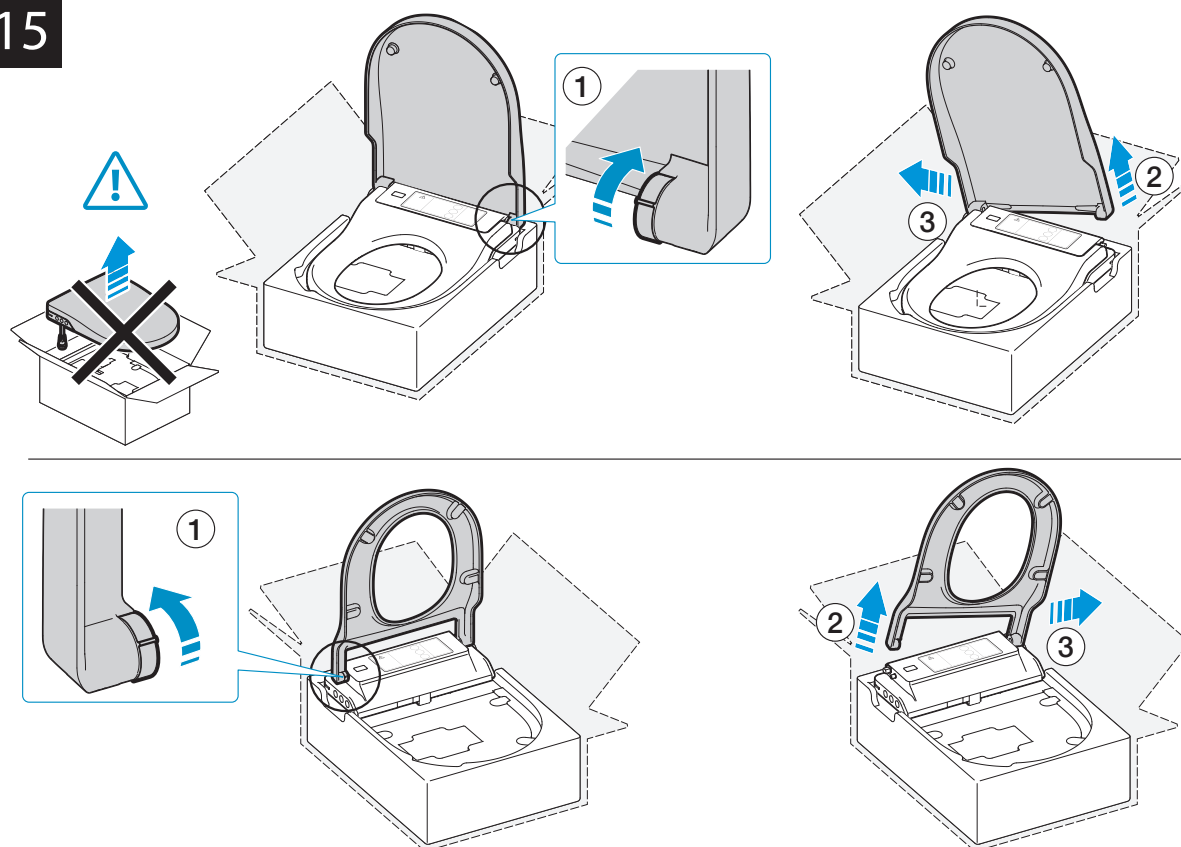
14



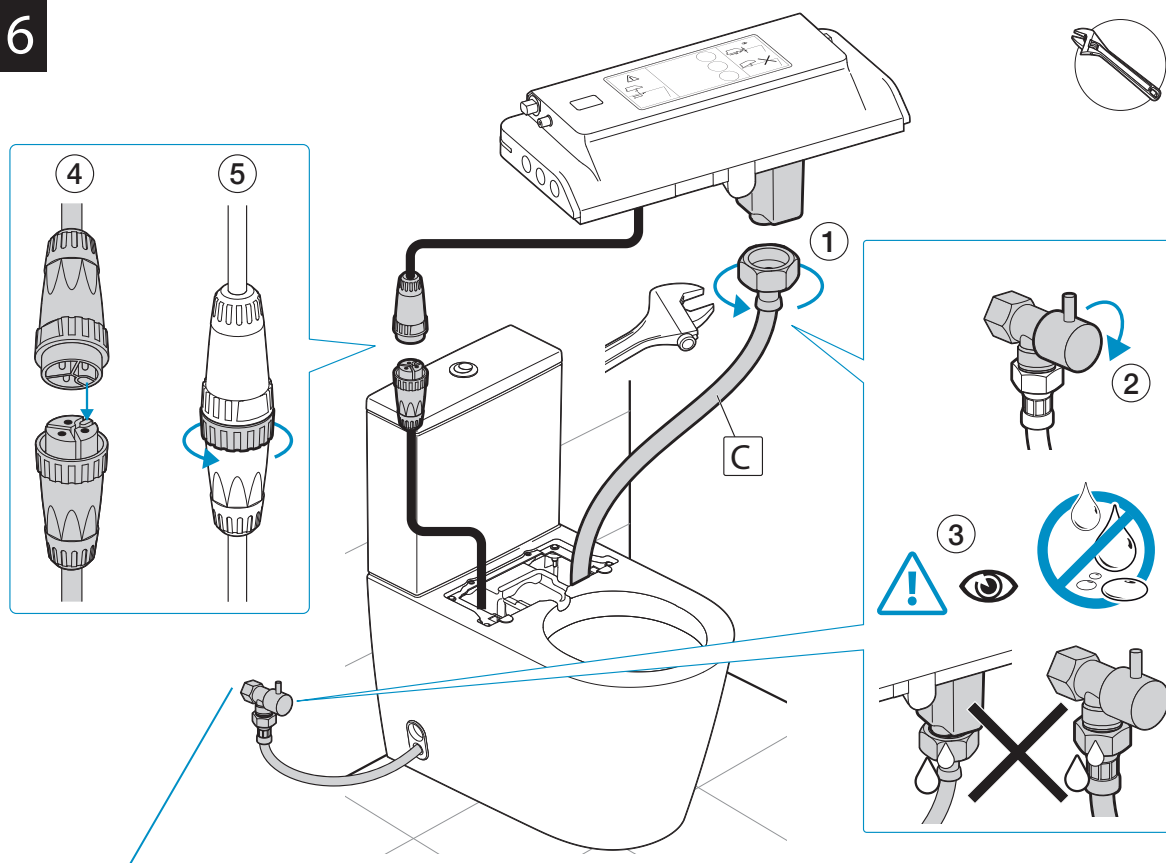
Roca

IN-WASH® INSPIRA SMART TOILET CLOSE COUPLED BACK TO WALL (4*)

15



16

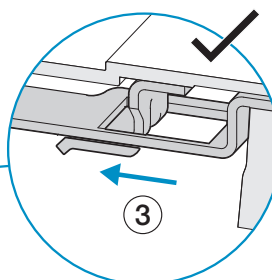
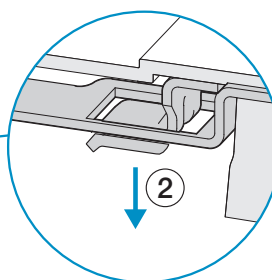
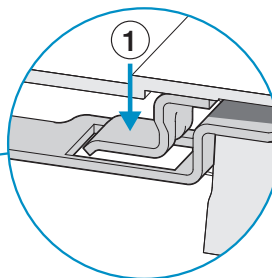
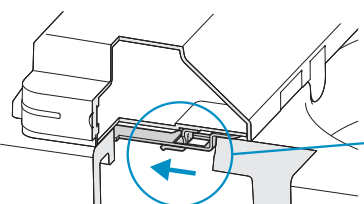
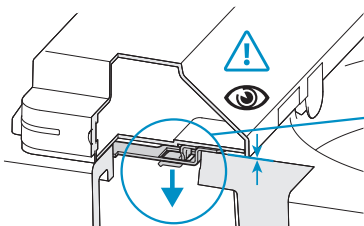
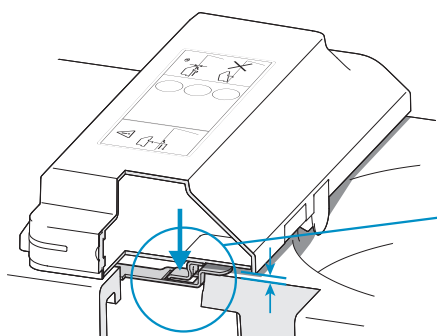
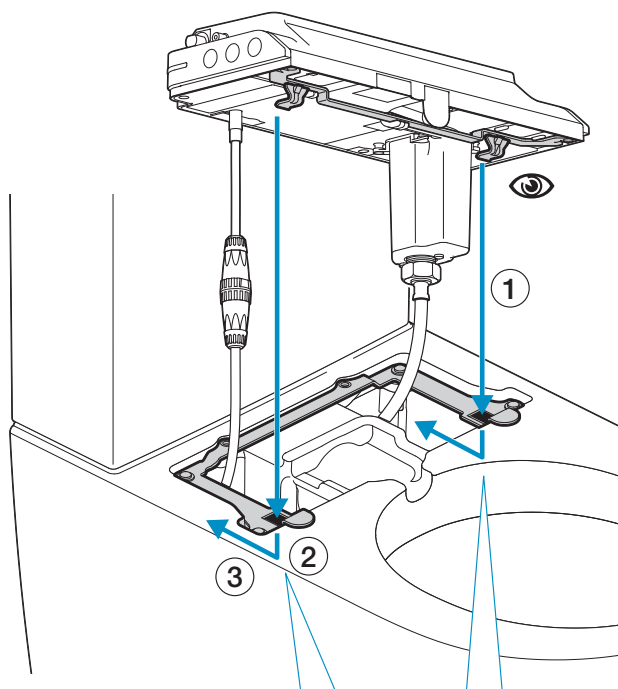


Note: Dual check valve must be fitted before cistern stop

reece™

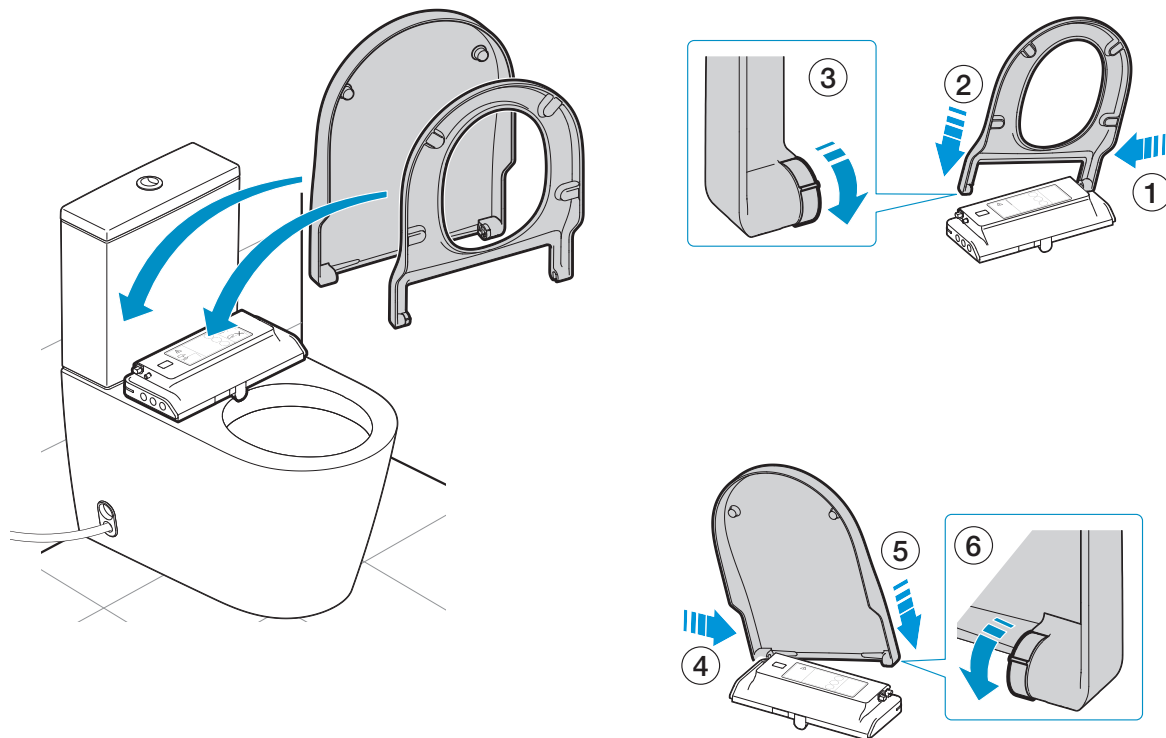
IN-WASH® INSPIRA SMART TOILET CLOSE COUPLED BACK TO WALL (4*)

17

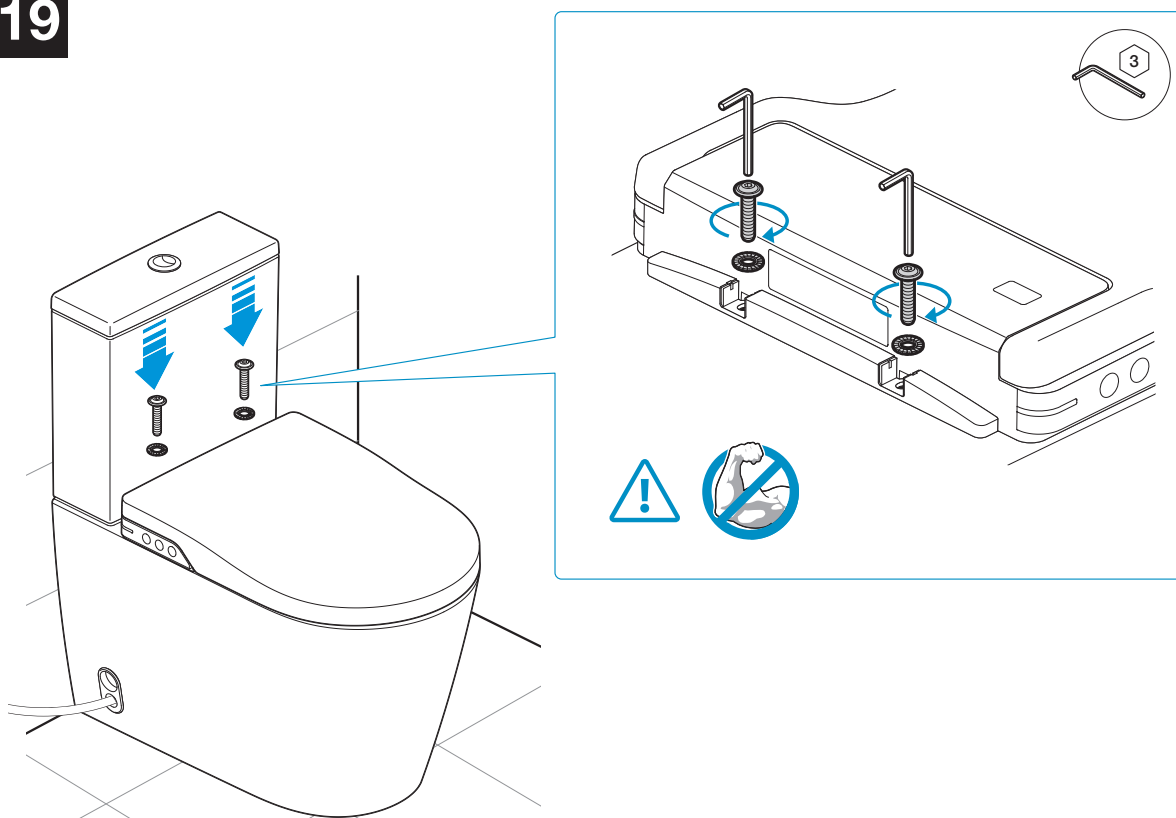


IN-WASH® INSPIRA SMART TOILET CLOSE COUPLED BACK TO WALL (4*)

18



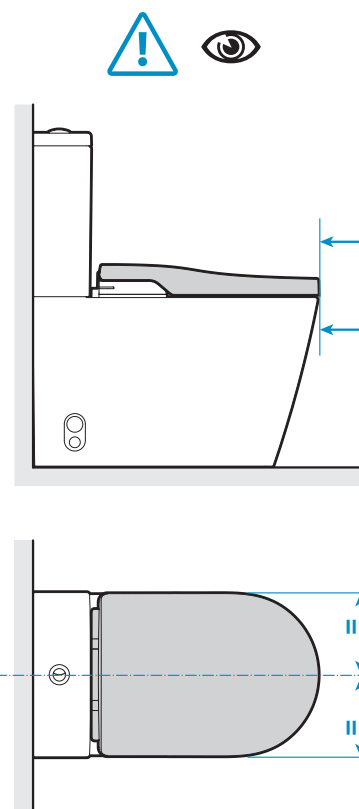
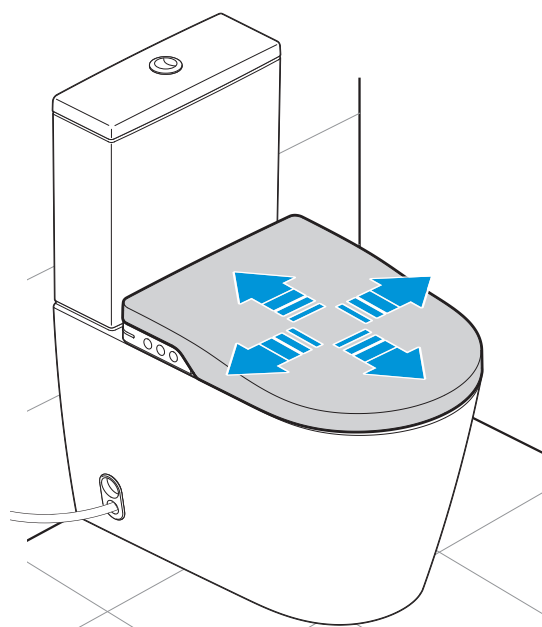
19



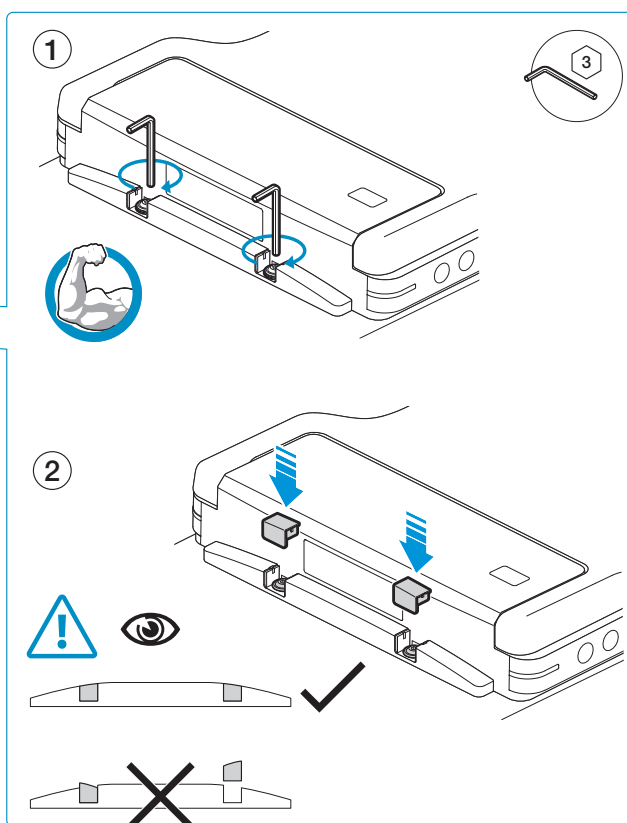
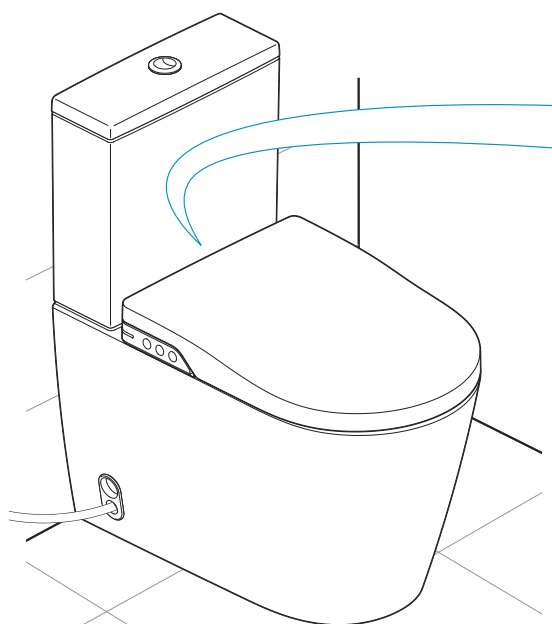
Roca

IN-WASH® INSPIRA SMART TOILET CLOSE COUPLED BACK TO WALL (4*)

20



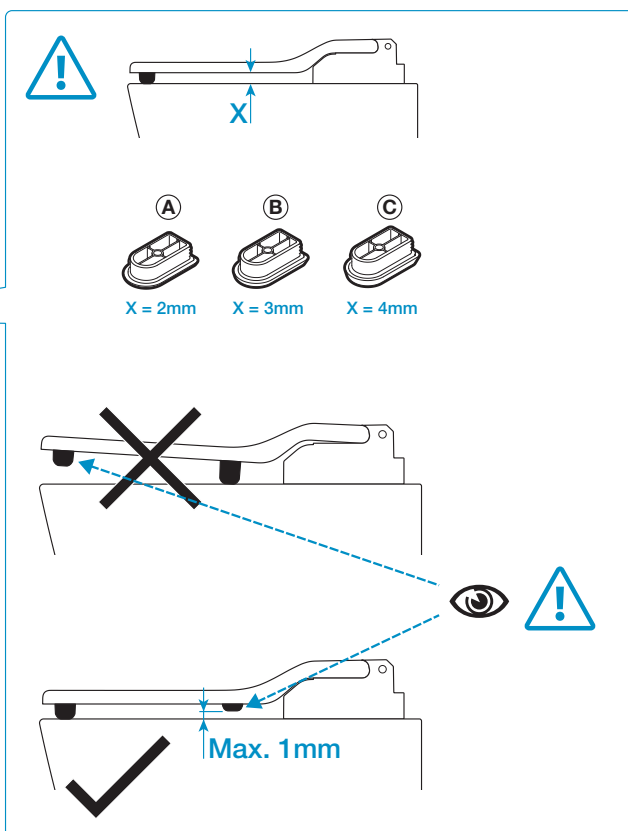
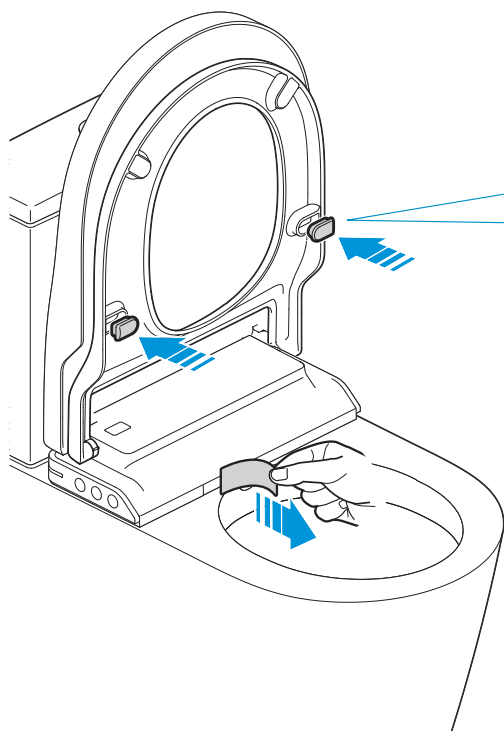
21



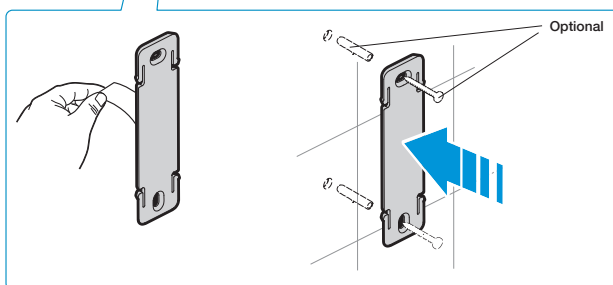
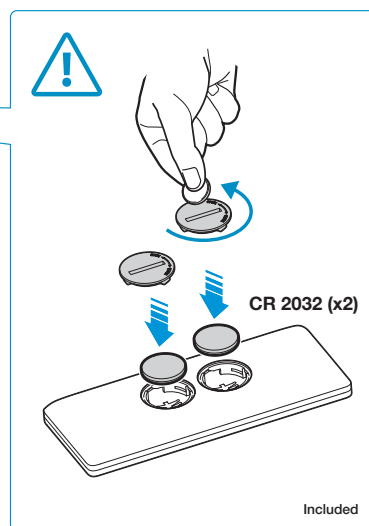
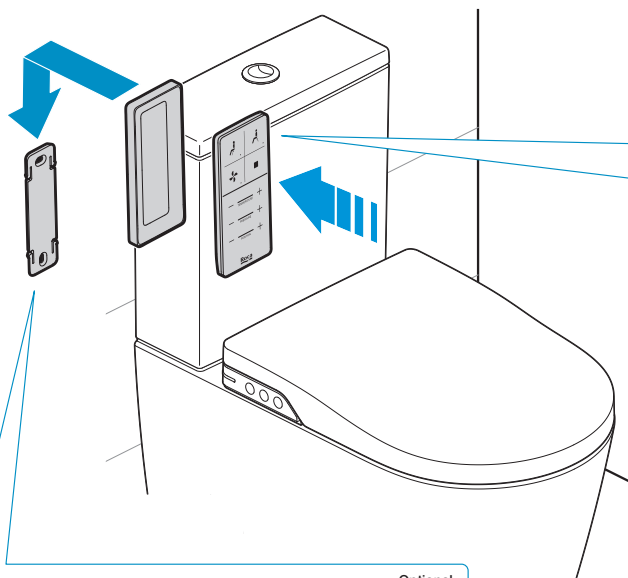


IN-WASH® INSPIRA SMART TOILET CLOSE COUPLED BACK TO WALL (4*)

22



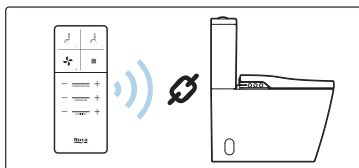
23





IN-WASH® INSPIRA SMART TOILET CLOSE COUPLED BACK TO WALL (4*)

24



<p>1 OPEN</p>	<p>2 POWER</p>	<p>3 CONNECT</p>	<p>4 AUTO-TEST</p>
----------------------	-----------------------	-------------------------	---------------------------

Max. 60 s.

After connecting the power (2), you have 60 seconds to link the remote control.

To link the remote control (3), press simultaneously the *Drying* and *Stop* buttons on the remote control for 5 seconds. A beep will be heard and all the LEDs on the remote light up, as a signal that it is connected.

A self-calibration process starts for 120 seconds (4) during which water flows from the e-bidet nozzle window.

25

