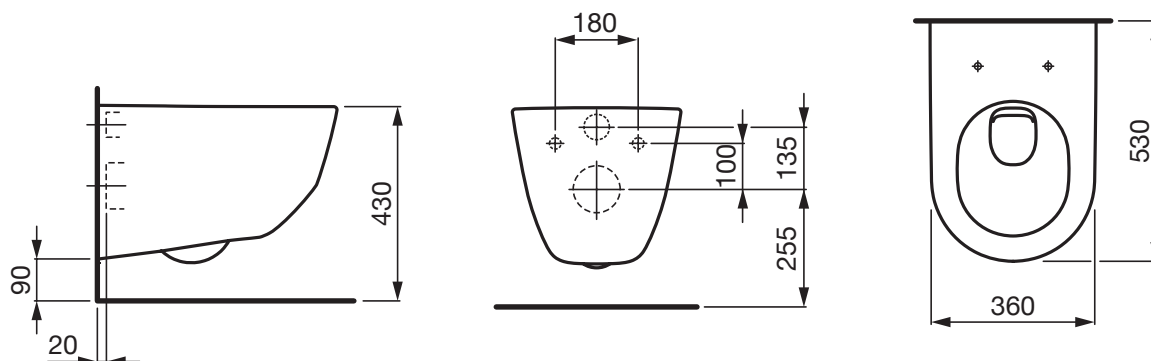


LAUFEN

Pro A

WALL HUNG PAN



SPECIFICATIONS

Recommended Use	Domestic, hotel and commercial
Rim configuration	Box rim
Bowl configuration	Available in P Trap
Set out	P Trap: 225mm
Pan fixing	Wall fixing
Seat	Soft-close matching seat
Weight	25.9kg
Finish	LAUFEN Clean Coat
Flushing	4.5/3 ltr flush, 3.5 Av ltr flush
WELS	4 Star WELS Rating
Standards	AS1172.1



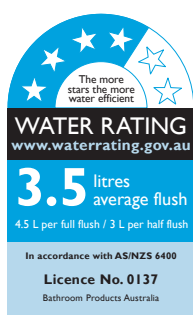
To see the complete LAUFEN range go to www.reece.com.au/bathrooms

CLEANING RECOMMENDATIONS

We recommend the use of soapy water or approved cleaners.

This product should not be cleaned with abrasive materials.

Damage caused by any improper treatment is not covered by the product warranty- refer to Warranty Conditions.



Disclaimer: Products in this specification manual must by regulation be installed by licensed and registered trade people. The manufacturer/distributor reserves the right to vary specifications or delete models from their range without prior notification. Dimensions and set-outs listed are correct at time of publication however the manufacturer/distributor takes no responsibility for printing errors.

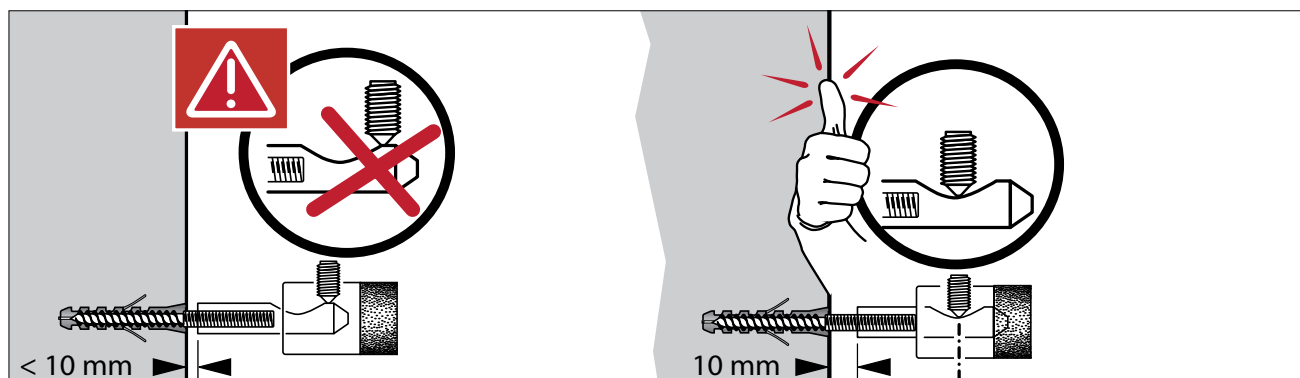
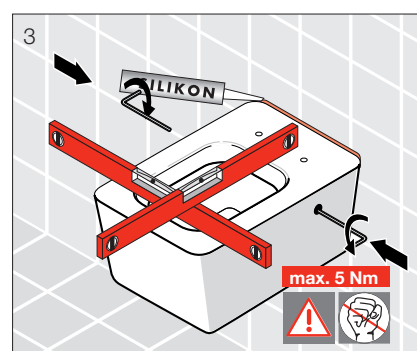
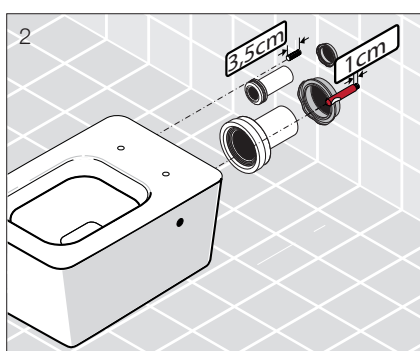
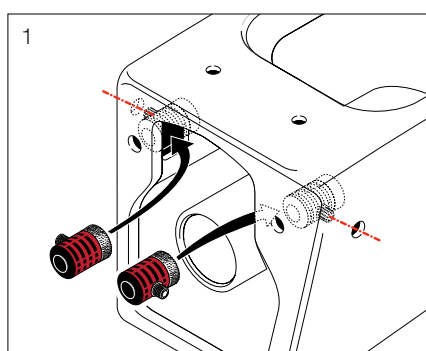
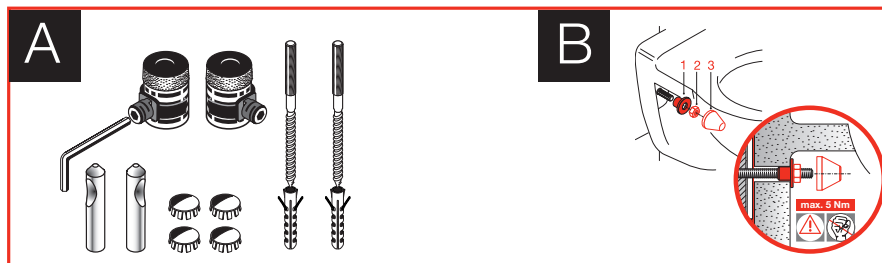
Tech Page Version 2

LAUFEN
Bathroom Culture since 1892 www.laufen.com

reece

LAUFEN Pro A WALL HUNG PAN

INSTALLATION



Plumbers, please ensure a copy of the installation instructions is left with the end user for future reference