



AFA Cubeline 1 3/4 Bowl Undermount Sink No Taphole 854mm Stainless Steel

SPECIFICATIONS

Recommended Use	Domestic, Hotel & Commercial
Material	304 Grade Stainless Steel
Chromium - Nickel Content	18% Chromium 8% Nickel
Gauge	1.5mm
Sink Formation	Welded
Bowl Capacity	Large Bowl - 41 Litres Small Bowl - 18 Litres
Waste Type	Basket
Waste Size	90mm
Waste Position	Rear
Taphole Configuration	No Taphole
Overflow Configuration	No Overflow
Sound Deadening Pads	Yes
Clipping System	Yes

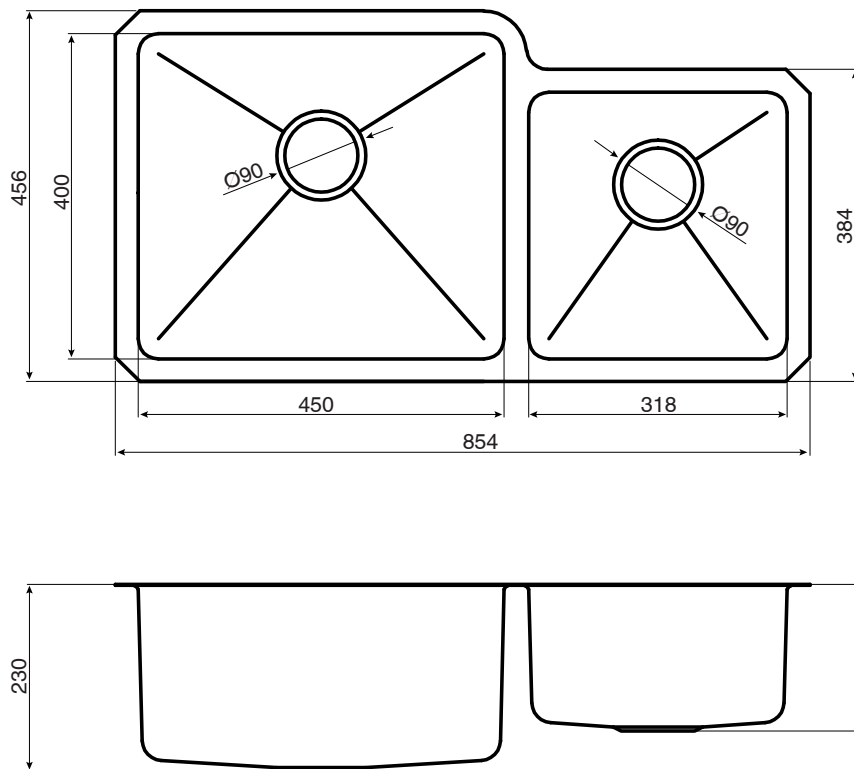


WARRANTY

Warranty - Domestic Use	30 Years
Spare Parts & Labour	12 Months

Please refer to Warranty Page for full Terms and Conditions

Sinks must be installed using a cutout template. No responsibility will be taken for damage that occurs where a template has not been used.



Dimensions are nominal measurements only.

Disclaimer: Products in this specification manual must by regulation be installed by licensed and registered trade people. The manufacturer/distributor reserves the right to vary specifications or delete models from their range without prior notification. Dimensions are nominal measurements only. Dimensions and set-outs listed are correct at time of publication however the manufacturer/distributor takes no responsibility for printing errors.

Published 15/07/2019

To see the complete AFA range go to www.reece.com.au/bathrooms

